

4

3

2

1

D

D

C

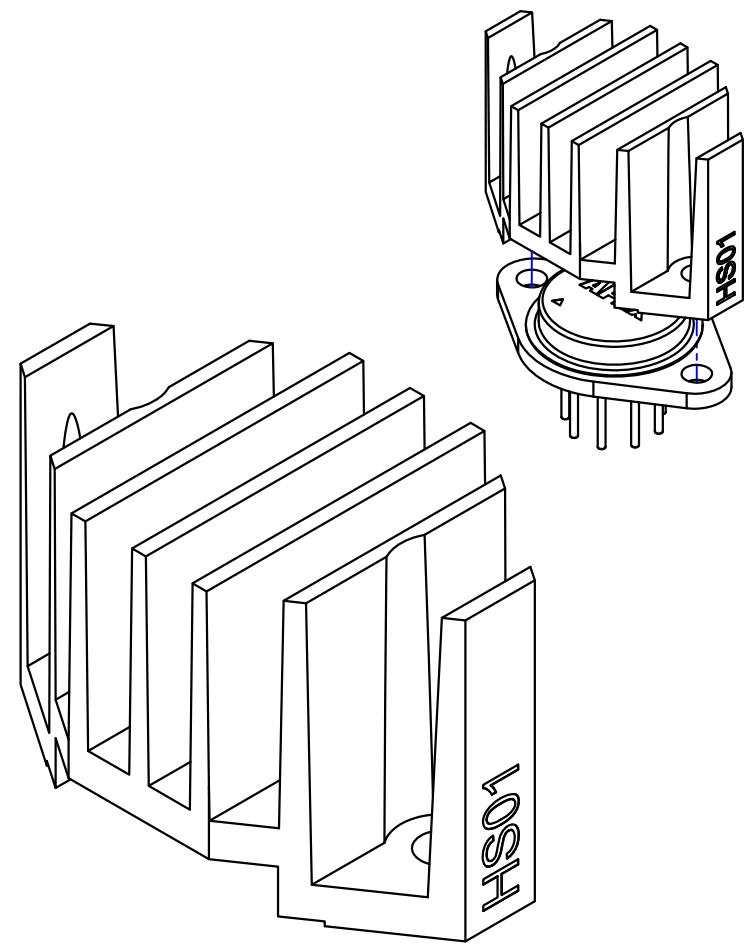
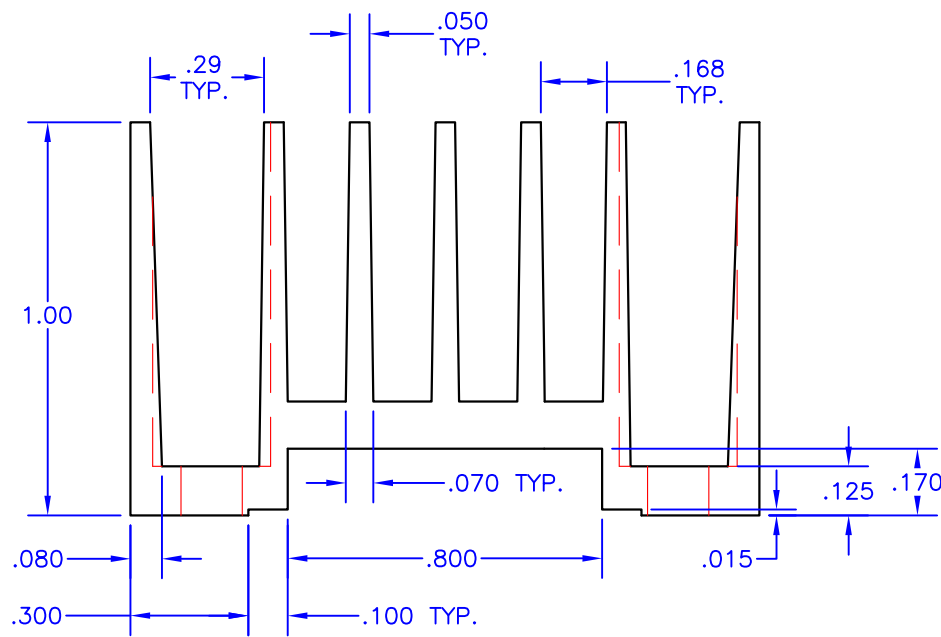
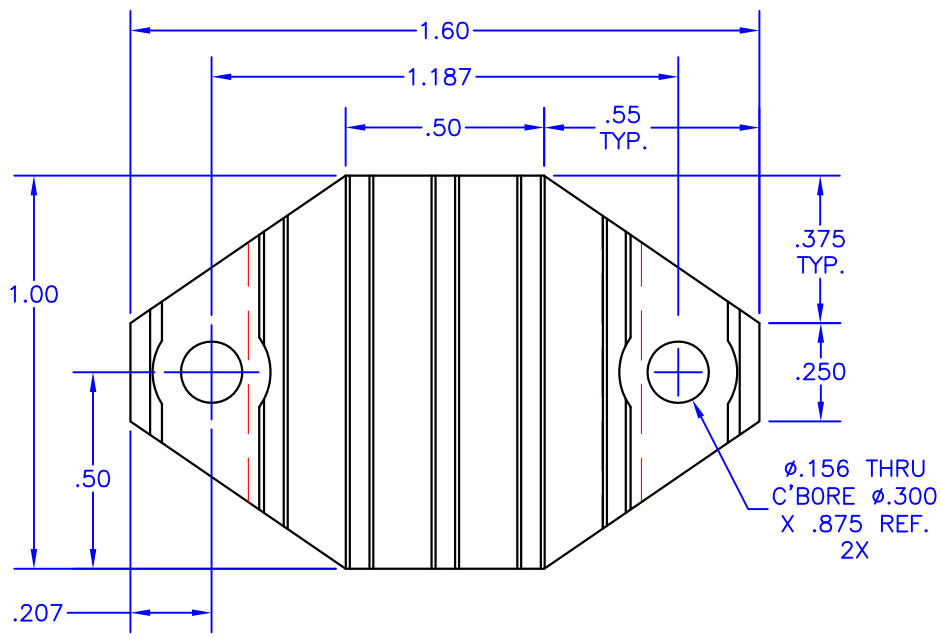
C

B

B

A

A



NOTES:

1. Unless otherwise noted, all dimensions are in inches.
2. Break all sharp edges, de-burr & remove loose chips.
3. Material: Aluminum (M/F AAVID Thermalloy NP971944)
4. Finish: Anodize per MIL-A-8625, Type II, Class 2, Black
Typical breakdown voltage > 300V
5. Mark with contrasting ink as shown, if specified by P.O.
6. Approximate Weight: 0.6 oz [17g]
7. Thermal rating 11.6 °C/W

| | | | | | | | |
|---|----------------|-----------------------------|-------|-------|----------------|-------------|---------------|
| TOLERANCES - UNLESS OTHERWISE SPECIFIED .XX = ±.01 [.254] .XXX = ±.005 [.127] ANG. = ±5° | | TITLE: HEATSINK, TO-3 | | | | MODEL: HS01 | |
| | | SUBJECT: MECHANICAL DRAWING | | | | | |
| ENGINEER: D-M | DRAWN BY: RMOR | DCA: 13356 | SH: 1 | OF: 1 | FILENAME: HS01 | REV: J | DATE: 14OCT13 |

4

3

2

1

Mouser Electronics

Authorized Distributor

Click to View Pricing, Inventory, Delivery & Lifecycle Information:

[Apex Microtechnology:](#)

[HS01](#)