


02 0272

Quicklock circular connectors, IP67



Quicklock chassis socket, IP67, size 20, straight version,  
with plastic housing, solder terminals and protecting cap  
(IP65)

---

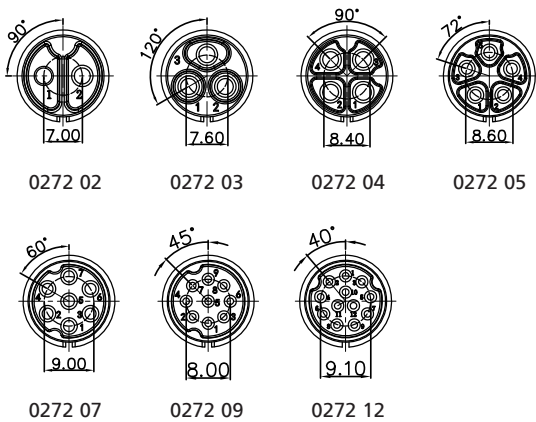
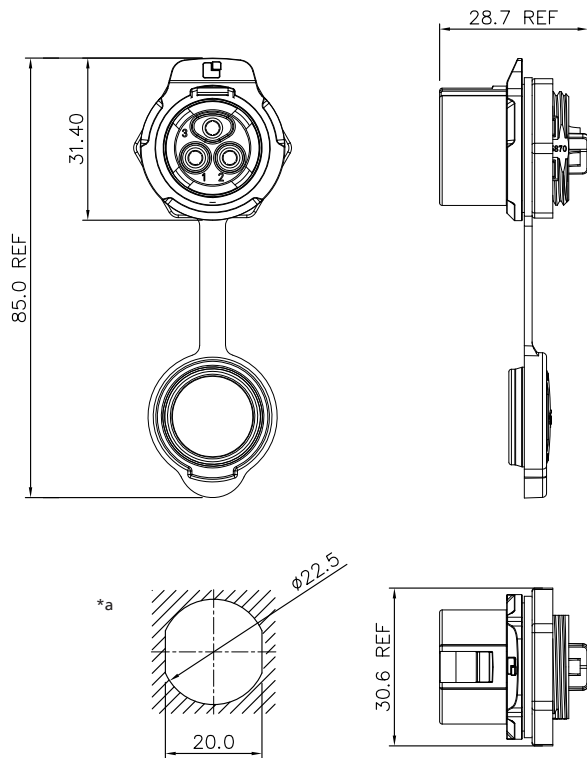
Approvals: 

---

02

0272

**Pin configurations, mating side view**



\*a port

**Environmental conditions**

Temperature range -40 °C/+80 °C

**Materials**

Insulating body PBT, V-0 according to UL94  
 Contact bush CuSn, gold-plated  
 Housing PBT, V-0 according to UL94<sup>1</sup>  
 Cap SI  
 Hexagonal nut PBT, V-0 according to UL94

<sup>1</sup> outdoor sustainable (F1 according to UL 746C)

**Mechanical data**

Mating cycles 1700  
 Insertion force ≤ 130 N  
 Withdrawal force ≤ 120 N  
 Protection class IP67 (protecting cap IP65)<sup>1</sup>

<sup>1</sup> only in locked condition with an appropriate counterpart

**Connectable conductors for solder area**

Section 2.5–4.0 mm<sup>2</sup>/AWG 14–12 (2–4 poles)  
 1.0–1.5 mm<sup>2</sup>/AWG 18–16 (5–7 poles)  
 0.34–0.75 mm<sup>2</sup>/AWG 22–20 (9–12 poles)

**Electrical data (at T<sub>amb</sub> 20 °C)**

Contact resistance ≤ 5 mΩ  
 Rated current 20 A (2–4 poles)  
 12 A (5–7 poles)  
 5 A (9–12 poles)  
 Rated voltage 500 V  
 Rated impulse voltage 2500 V AC (2–7 poles)  
 1500 V AC (9–12 poles)  
 Creepage distance ≥ 2 mm  
 Clearance ≥ 2 mm  
 Insulation resistance > 500 MΩ

**Associated products**

Counterparts  
 ↗ 0252

02 0272

Designation	Pole Number	PU (Pieces)	MDQ (Pieces)
0272 02	2	10	40
0272 03	3	10	40
0272 04	4	10	40
0272 05	5	10	40
0272 07	7	10	40
0272 09	9	10	40
0272 12	12	10	40

**Packaging:**

in individual plastic bags, in a cardboard box