

15

KLB 3

Jack connectors



Jack chassis socket acc. to JIS C 6560 JC63J3A, 6.35 mm, 3 poles/stereo, with solder eyes, for back side mounting

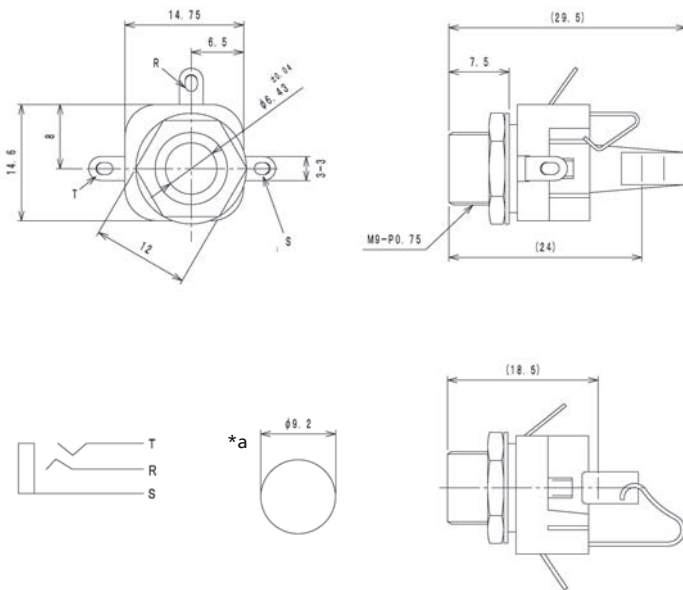
---

State: Active

---

15

KLB 3



\*a port in mounting plate

#### Environmental conditions

Temperature range -20 °C/+70 °C

#### Materials

Insulating body	PC, V-2 according to UL94
Contact	Cu alloy, nickel-plated
Hexagonal nut	steel, nickel-plated
Washer	steel, nickel-plated

#### Mechanical data

Mating cycles	≥ 5000
Insertion force	5–30 N
Withdrawal force	5–30 N

#### Electrical data (at T<sub>amb</sub> 20 °C)

Contact resistance	≤ 50 mΩ
Rated current	2 A
Rated voltage	34 V AC/DC
Rated impulse voltage	500 V/60 s
Insulation resistance	≥ 100 MΩ

#### Associated products

Counterparts  
☑ KLS 3

15

KLB 3

Designation	Pole Number	PU (Pieces)	MDQ (Pieces)
KLB 3	3	100	400

**Packaging:**

in bulk, in a cardboard box or a plastic bag