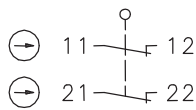


## Plastic bodied limit switch Series C2

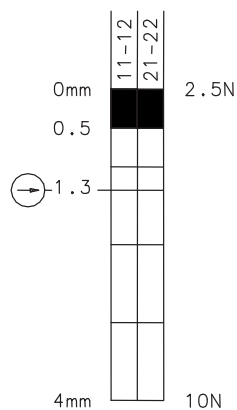
Description **C2-A2Z**

Article number **6008801003**

### Operating symbol

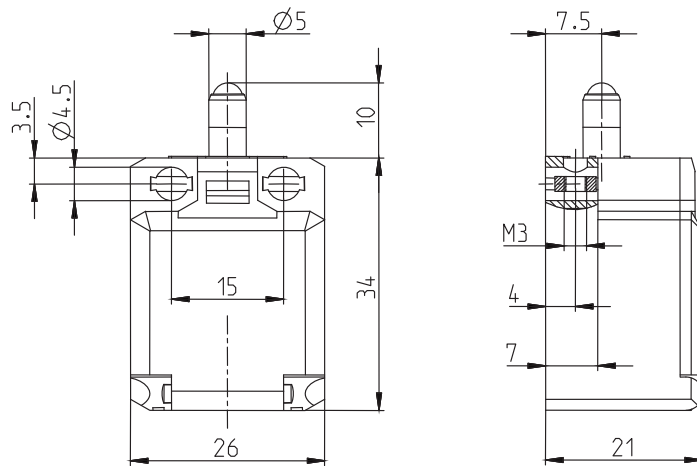


### Operating diagram



Tolerance:  
Operating point  $\pm 0,25$  mm;  
Operating force  $\pm 10$  %

On   
  Off



### Electrical Data

Rated insulation voltage	$U_i$	250 V AC
Conv. thermal current	$I_{the}$	10 A
Rated operational voltage	$U_e$	240 V
Utilization category		AC-15, $U_e/I_e$ 240 V / 3 A
Direct opening action	$\ominus$	acc. to IEC/EN 60947-5-1, Annex K
Short-circuit protective device		Fuse 6 A gG
Protection class		II, totally insulated

