

A range of panel mounting audio and video connectors incorporating many innovative features, compatible with all leading manufactures' cable sockets

- Has an internal cut out which ensures a positive and secure socket retention feature.
- Generous solder buckets enable easier cable assembly as well as catering for larger conductive sizes.
- Available in satin nickel or matt black finish, with either silver or gold plated contacts.



Features

Mechanical Properties

Housing Zinc high pressure diecast
Satin nickel or black chrome

Contact Base Valox DR48

Contacts Brass, 3 microns silver, anti-tarnish Finish, or 0.5 microns gold

Collar Polypropylene VIR 222, black

Screen Spring Steel, 3 microns silver

Electrical

Rated Voltage 50 V a.c.

Test Voltage 1000 V r.m.s.

Insulation Resistance 103 MΩ

After damp heat 500 MΩ

Contact Resistance 10 mΩ max

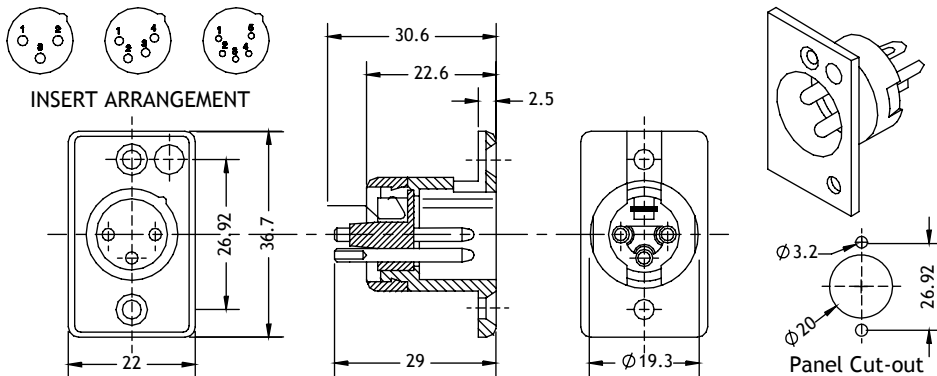
Current Rating at 40 deg C
3 pin - 15 amp
4 pin - 10
5 pin - 7.5 amp

Current Rating at 70 deg C
3 pin - 7.5 amp
4 pin - 5
5 pin - 3 amp

Terminal wire sizes
3 pin 2.5 mm² / 14 AWG
4 pin 1.5 mm² / 16 AWG
5 pin 1.0 mm² / 18 AWG

Climatic
Climatic category 25/070/04
Temperature Range -25°C to +70°C
Damp heat, steady state 4 days

Dimensions



Deltron Part No	Silver Contacts		Gold Contacts	
	Nickel	Black	Nickel	Black
3-way	703-0300	711-0300	707-0300	715-0300
4-way	703-0400	711-0400	707-0400	715-0400
5way	703-0500	711-0500	707-0500	715-0500

Tel No. +44(0)1724 273200 Website www.dem-uk.com

PROPRIETARY AND CONFIDENTIAL
THE INFORMATION CONTAINED IN THIS DRAWING IS THE SOLE PROPERTY OF ALPHA 3 MANUFACTURING.
ANY REPRODUCTION IN PART OR AS A WHOLE WITHOUT THE WRITTEN PERMISSION OF ALPHA 3 MANUFACTURING IS PROHIBITED.

UNLESS OTHERWISE SPECIFIED:
DIMENSIONS ARE IN MILLIMETRES
LINEAR TOLERANCE:
NO DECIMAL PLACES ±0.5mm
1 DECIMAL PLACE ±0.25mm
2 DECIMAL PLACES ±0.125mm
ANGULAR TOLERANCE: ±1°

DEM Manufacturing, Deltron Emcon House
Hargreaves Way, Sawcliffe Ind. Park,
Scunthorpe, North Lincolnshire, DN15 8RF, UK



FINISH PROFESSIONAL QUALITY 7000 SERIES
IF IN DOUBT ASK DO NOT SCALE DRAWING
MATERIAL N/A

DEBURR AND BREAK SHARP EDGES
DRAWN BY SPB
APPROVED BY WC
THIRD ANGLE PROJECTION

SHEET 1 OF 1
SCALE 1:1
A4

TITLE GENERAL SPECIFICATION MULTIPOLE CONNECTOR PANEL PLUG
DRAWING NO. 703-711-707-715
ISSUE 09
Release

Mouser Electronics

Authorized Distributor

Click to View Pricing, Inventory, Delivery & Lifecycle Information:

[Deltron:](#)

[711-0300](#) [715-0300](#) [703-0300](#) [707-0300](#)