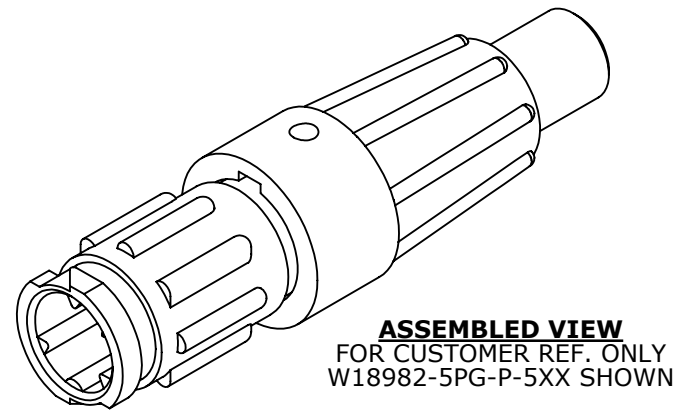
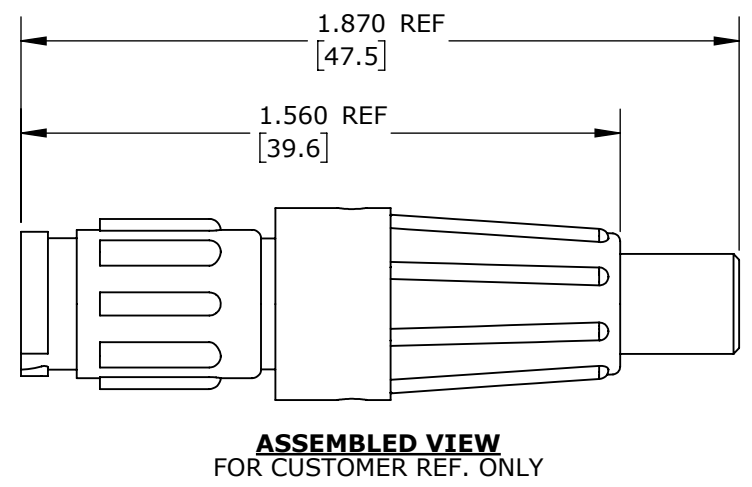
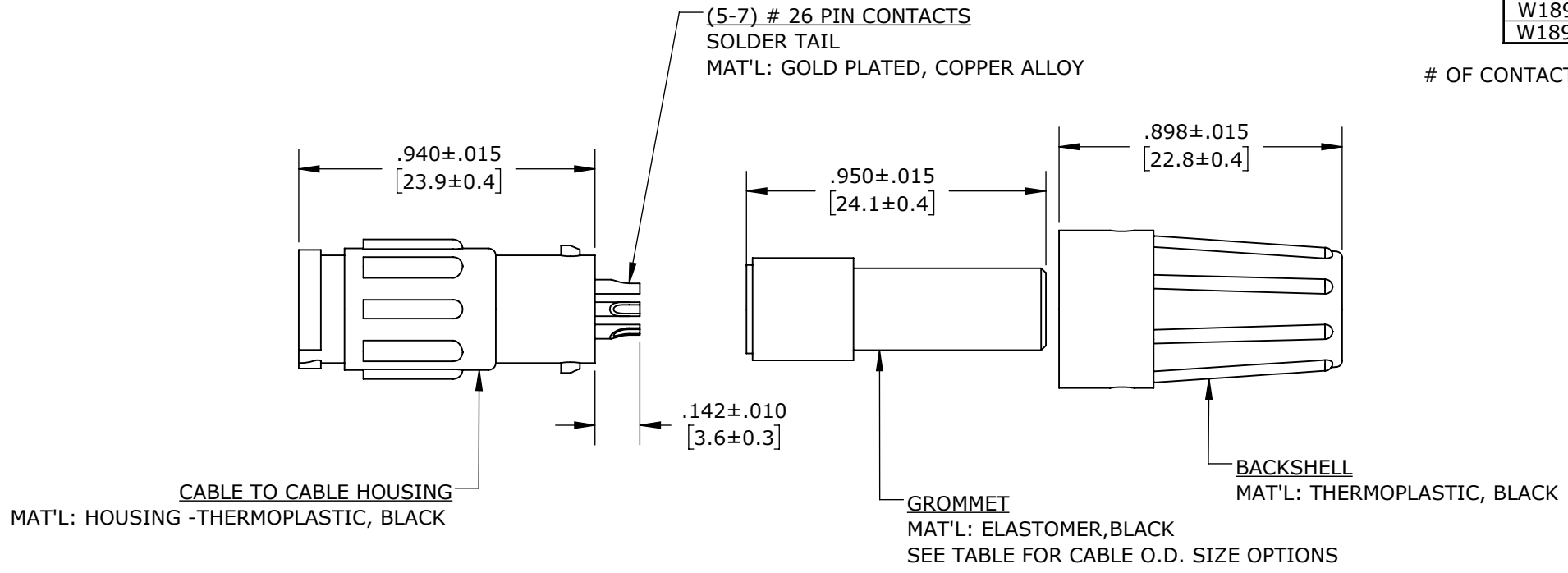
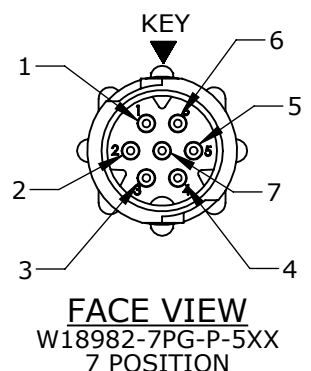
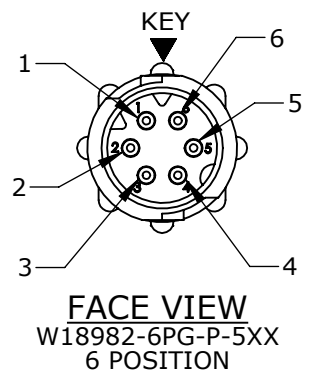
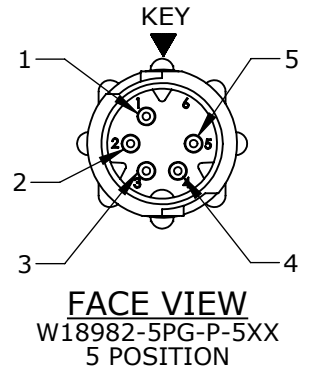


APPROVED BY: DATE: MFG. ENG. QA

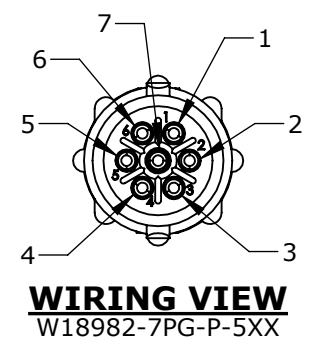
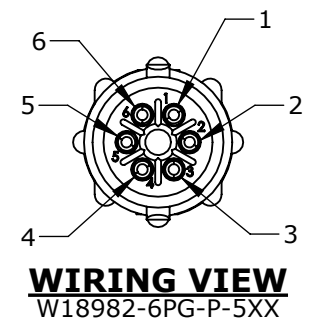
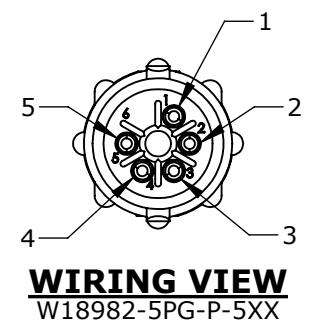
ASS'Y P/N	CONTACT QTY.	CABLE O.D. RANGE
W18982-5PG-P-518	5	0.18 - 0.20 [4.6 - 5.1]
W18982-5PG-P-521	5	0.21 - 0.22 [5.3 - 5.6]
W18982-5PG-P-522	5	0.22 - 0.23 [5.6 - 5.8]
W18982-6PG-P-518	6	0.18 - 0.20 [4.6 - 5.1]
W18982-6PG-P-521	6	0.21 - 0.22 [5.3 - 5.6]
W18982-6PG-P-522	6	0.22 - 0.23 [5.6 - 5.8]
W18982-7PG-P-518	7	0.18 - 0.20 [4.6 - 5.1]
W18982-7PG-P-521	7	0.21 - 0.22 [5.3 - 5.6]
W18982-7PG-P-522	7	0.22 - 0.23 [5.6 - 5.8]
W18982-XPG-P-5XX		

**NOTES:**

1. ALL PARTS ARE BULK PACKED.
2. REFER TO DRAWING HPMCSTD FOR CONTACT PATTERNS.
3. ALL DIMENSIONS ARE REFERENCE ONLY IN INCHES [mm], WITHIN ±0.015 UNLESS OTHERWISE NOTED.



# OF CONTACTS — GROMMET SIZE = CABLE O.D. RANGE:  
 518 = 0.18 - 0.20 [4.6 - 5.1]  
 521 = 0.21 - 0.22 [5.3 - 5.6]  
 522 = 0.22 - 0.23 [5.6 - 5.8]



**CUSTOMER APPROVAL**

THIS DOCUMENT CONTAINS CONFIDENTIAL INFORMATION PROPRIETARY TO CONXALL CORPORATION. ANY REPRODUCTION, DISCLOSURE, OR USE OF THIS DOCUMENT /INFORMATION IS EXPRESSLY PROHIBITED UNLESS AUTHORIZED IN WRITING BY CONXALL CORPORATION.

APPROVED BY: \_\_\_\_\_  
 DATE: \_\_\_\_\_

**RoHS COMPLIANT**

0A	JGK	8/28/19	DRAWING CREATED FOR PDR #18004.
REV.	INIT.	DATE	DESCRIPTION
	JGK	8/28/19	ORIG. DRAWN BY: DATE: 8/28/19
ALL INFORMATION ILLUSTRATED IS THE PROPERTY OF "CONXALL CORPORATION". UNAUTHORIZED DUPLICATION OR DISTRIBUTION OF THIS DOCUMENT IS PROHIBITED.			 601 E. WILDWOOD VILLA PARK, IL 60181
ALL UNITS ARE IN FEET, INCHES, FRACTION OF INCHES AND DECIMALS. UNLESS OTHERWISE SPECIFIED TOLERANCES: 3 PLACE DECIMALS ±.005 ANGLES ±1° FRACTIONS ±1/16			
APPROVED BY: _____			TITLE: CABLE TO CABLE CONN. ASS'Y (5-7) #26 PIN CONTACTS, SOLDER INSTA-CLICK, MICRO-CON-X STANDARD PRODUCT
SCALE	SIZE	SHEET	CUSTOMER:
NTS	B	1 OF 1	
FILE:	DIRECTORY:	PART NUMBER:	REV
W18982-XPG-P-5XX	SLW	W18982-XPG-P-5XX	0A

CUSTOMER PRINT

PART NUMBER: W18982-XPG-P-5XX

**PRELIMINARY**

DIMENSIONS IN BRACKETS [ ] ARE METRIC

# Mouser Electronics

Authorized Distributor

Click to View Pricing, Inventory, Delivery & Lifecycle Information:

[Switchcraft:](#)

[W18982-5PG-P-522](#) [W18982-7PG-P-518](#) [W18982-7PG-P-522](#) [W18982-5PG-P-518](#) [W18982-6PG-P-522](#)