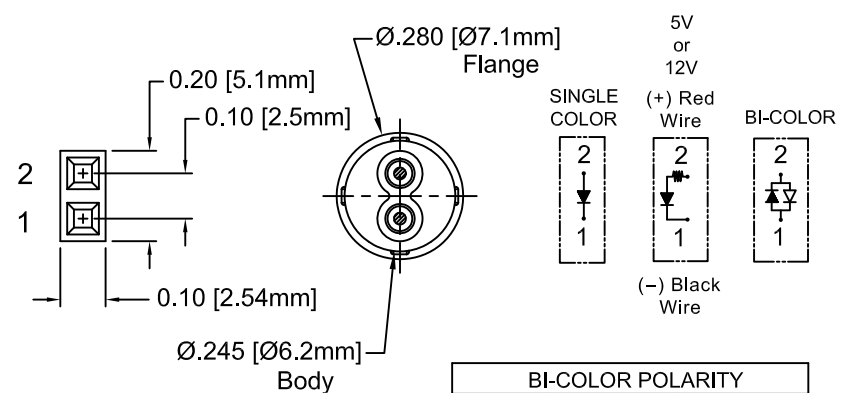
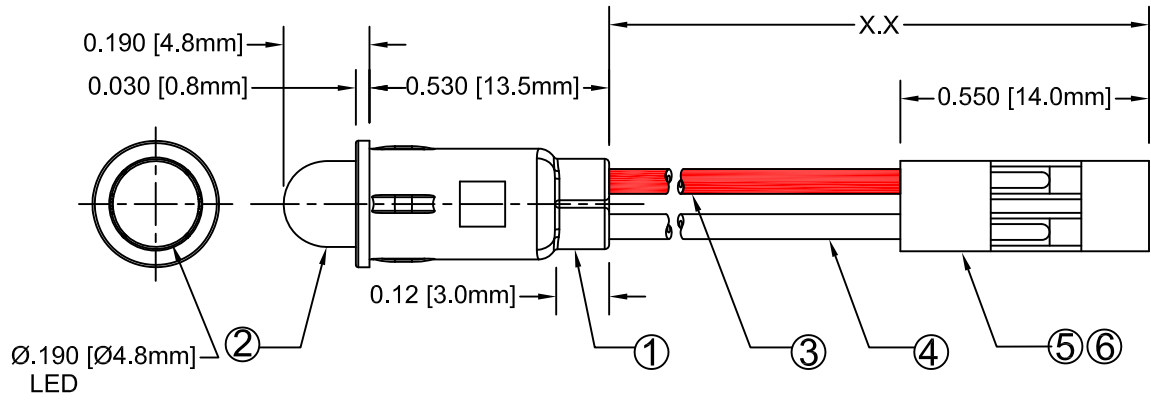
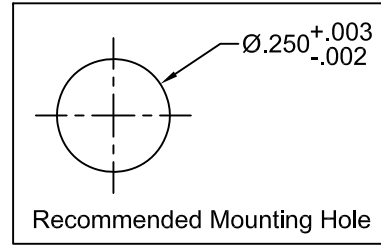


ITEM	Q'TY	PART NUMBER	PART DESCRIPTION
1	1	PM5-XXX	LED Holder, Panel Mount, Press Fit, (5mm) PM5 (Standard LED), PM5-5V (5V LED), & PM5-12V (12V LED)
2	1	5XXX	T-1¼ (5mm) Non-Flange LED, See Page 2.
3	1	BWS24-1007-RD	24AWG Wire Lead U.L. 1007, Red
4	1	BWS24-1007-BK	24AWG Wire Lead U.L. 1007, Black
5	1	2665S020000	Leoco 2665 Series 2.54 (.100") Crimp Type Socket, 1x
6	2	2653TPB0001	Leoco Terminal# 2653TPB0001 (Reel), 2653TPB00A1 (Bulk)

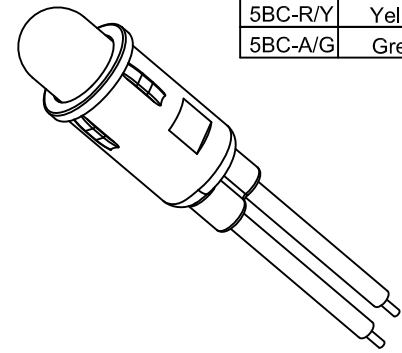
REV.	DESCRIPTION	DATE	APPROVED
D	Updated 5XXXL Specs	06/26/09	T. Y.
E	Added PM5BWCWX.X-CC Specs	08/14/09	T. Y.
F	Added PM5UGCWX.X-CC Specs	08/19/09	T. Y.
G	Added 5BC-Y/G Specs	02/09/10	T. Y.
H	LED Updates	01/19/11	T. Y.
J	Updated BOM Item #1 and Updated LED offering	11/13/12	T. Y.



BI-COLOR POLARITY		
LED P/N	(2) Cathode	(1) Cathode
5BC	Green	Red
5BC-Y/G	Green	Yellow
5BC-R/Y	Yellow	Red
5BC-A/G	Green	Amber



EXAMPLE:
PM5RDW6.5*-CC
 Connector
 Wire Length "X.X"
 LED Color & Lens Appearance.
 Series


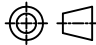


ABSOLUTE MAXIMUM RATINGS (Ta = 25°C)

REVERSE VOLTAGE	5V
REVERSE CURRENT (VR=5V)	100µA
OPERATING TEMPERATURE RANGE	-25°C ~ 85°C
STORAGE TEMPERATURE	-30°C ~ 100°C
LEAD SOLDERING TEMPERATURE (1/16" FROM BODY)	260°C for 5 Seconds


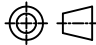
STANDARD TOLERANCE (UNLESS OTHERWISE SPECIFIED)		 BIVAR [®] 4 THOMAS, IRVINE, CA. 92618 TEL: (949) 951-8808 FAX: (949) 951-3974	
DECIMALS	ANGULAR		
.X ± .1	X° ± 1°		
.XX ± .02		 TITLE: T-1¼ (5mm) PANEL MOUNT ASSEMBLY	
.XXX ± .010			
DESIGNED: Dan Beckman	DATE: 06/28/07	PART NO: PM5XXWX.X-CC	REVISION: J
CHECKED: T. Yin	DATE: 06/28/07	CAGE CODE : 32559	SHEET # 1 OF 4
CAD GENERATED DOCUMENT, DO NOT MEASURE DRAWING.			

LED Assy.No.	Chip			Lens Appearance	Electro-Optical Data @20mA				Viewing Angle 2 θ 1/2 (Deg)	LED P/N	
	Material	Peak Wave Length	Emitted Color		If (mA)	Vf (V)		Iv (mcd)			
						MAX	TYP	MAX			TYP
PM5BWCWX.X-CC	GaN/SiC	430	BLUE	WATER CLEAR	25	4	4.5	25	20	5BWC	
PM5BWDWX.X-CC	GaN/SiC	430	BLUE	DIFFUSED	25	4	4.5	15	45	5BWD	
PM5BWTWX.X-CC	GaN/SiC	430	BLUE	TINTED	25	4	4.5	30	20	5BWT	
PM5GCW.X.-CC	GaP/GaP	568	GREEN	WATER CLEAR	30	2.1	2.8	40	35	5GC	
PM5GDWX.X-CC	GaP/GaP	568	GREEN	DIFFUSED	30	2.1	2.8	25	45	5GD	
PM5GTWX.X-CC	GaP/GaP	568	GREEN	TINTED	30	2.1	2.8	40	35	5GT	
PM5PGCW.X-CC	GaP/GaP	555	PURE GREEN	WATER CLEAR	30	2.2	2.8	10	35	5PGC	
PM5PGDWX.X-CC	GaP/GaP	555	PURE GREEN	DIFFUSED	30	2.2	2.8	10	45	5PGD	
PM5PGTWX.X-CC	GaP/GaP	555	PURE GREEN	TINTED	30	2.2	2.8	10	35	5PGT	
PM5YCWX.X-CC	GaAsp/GaP	590	YELLOW	WATER CLEAR	30	2	2.8	40	35	5YC	
PM5YDWX.X-CC	GaAsp/GaP	590	YELLOW	DIFFUSED	30	2	2.8	25	45	5YD	
PM5YTWX.X-CC	GaAsp/GaP	590	YELLOW	TINTED	30	2	2.8	40	35	5YT	
PM5ACWX.X-CC	GaAsp/GaP	605	AMBER	WATER CLEAR	30	2	2.8	40	35	5AC	
PM5ADWX.X-CC	GaAsp/GaP	605	AMBER	DIFFUSED	30	2	2.8	25	45	5AD	
PM5ATWX.X-CC	GaAsp/GaP	605	AMBER	TINTED	30	2	2.8	40	35	5AT	
PM5HCWX.X-CC	GaAsp/GaP	625	HE RED	WATER CLEAR	30	2	2.8	40	35	5HC	
PM5HDWX.X-CC	GaAsp/GaP	625	HE RED	DIFFUSED	30	2	2.8	25	45	5HD	
PM5HTWX.X-CC	GaAsp/GaP	625	HE RED	TINTED	30	2	2.8	40	35	5HT	
PM5RCWX.X-CC	GaP/GaP	700	RED	WATER CLEAR	20	2.1	2.8	2	35	5RC	
PM5RDWX.X-CC	GaP/GaP	700	RED	DIFFUSED	20	2.1	2.8	2	45	5RD	
PM5RTWX.X-CC	GaP/GaP	700	RED	TINTED	20	2.1	2.8	2	35	5RT	
PM5BCWX.X-CC-A/G	GaAsp/GaP	605	AMBER	WHITE DIFFUSED	30	2	2.8	6	45	5BC-A/G	
	GaP/GaP	568	GREEN		30	2.1	2.8	6			
PM5BCWX.X-CC	GaAsp/GaP	625	RED	WHITE DIFFUSED	30	2	2.8	6	45	5BD	
	GaP/GaP	568	GREEN		30	2.1	2.8	8			
PM5BCWX.X-CC-R/Y	GaAsp/GaP	625	RED	WHITE DIFFUSED	30	2	2.8	6	45	5BC-R/Y	
	GaP/GaP	590	YELLOW		30	2	2.8	5			
PM5BCWX.X-CC-Y/G	GaAsp/GaP	590	YELLOW	WHITE DIFFUSED	30	2	2.8	5	45	5BC-Y/G	
	GaP/GaP	568	GREEN		30	2.1	2.8	8			

STANDARD TOLERANCE (UNLESS OTHERWISE SPECIFIED) ±10% ALL VALUES		 BIVAR [®] 4 THOMAS, IRVINE, CA. 92618 TEL: (949) 951-8808 FAX: (949) 951-3974	
ANGULAR X° ± 5°			
		TITLE: T-1¼ (5mm) PANEL MOUNT ASSEMBLY	
DESIGNED: Dan Beckman	DATE: 06/28/07	PART NO: PM5XXWX.X-CC	REVISION: J
CHECKED: T. Yin	DATE: 06/28/07	CAGE CODE : 32559	SHEET # 2 OF 4
CAD GENERATED DOCUMENT, DO NOT MEASURE DRAWING.			



REV.	DESCRIPTION	DATE	APPROVED
	SEE SHEET#1.		

LED Assy.No.	Chip			Lens Appearance	Electro-Optical Data @20mA				Viewing Angle 2 θ 1/2 (Deg)	LED P/N
	Material	Peak Wave Length	Emitted Color		If (mA)	Vf (V)		Iv (mcd)		
					MAX	TYP	MAX	TYP		
PM5UBWCWX.X-CC	InGaN/SiC	468	BLUE	WATER CLEAR	76	3.7	4.5	2500	15	5BWC2.515
PM5SGCWX.X-CC	GaP/GaP	568	GREEN	WATER CLEAR	30	2.1	2.8	60	35	5SGC
PM5SGDWX.X-CC	GaP/GaP	568	GREEN	DIFFUSED	30	2.1	2.8	50	40	5SGD
PM5SGTWX.X-CC	GaP/GaP	568	GREEN	TINTED	30	2.1	2.8	60	35	5SGT
PM5SYCWX.X-CC	GaAsP/GaP	590	YELLOW	WATER CLEAR	30	2	2.8	600	35	5SYC
PM5SYDWX.X-CC	GaAsP/GaP	590	YELLOW	DIFFUSED	30	2	2.8	150	40	5SYD
PM5SYTWX.X-CC	GaAsP/GaP	590	YELLOW	TINTED	30	2	2.8	600	35	5SYT
PM5SRCWX.X-CC	GaAlAs/GaAs	645	SUPER RED	WATER CLEAR	30	1.7	2.4	60	35	5SRC
PM5SRDWX.X-CC	GaAlAs/GaAs	645	SUPER RED	DIFFUSED	30	1.7	2.4	40	40	5SRD
PM5SRTWX.X-CC	GaAlAs/GaAs	645	SUPER RED	TINTED	30	1.7	2.4	60	35	5SRT
PM5UGCWX.X-CC	AlGaInP	570	GREEN	WATER CLEAR	30	2.1	2.4	600	35	5UGC
PMTSUGCWX.X-CC	AlGaInP	570	GREEN	WATER CLEAR	30	2.1	2.4	300	35	5SUGC
PM5UYCWX.X-CC	AlGaInP	590	YELLOW	WATER CLEAR	30	2	2.4	1000	30	5UYC
PM5SUYCWX.X-CC	AlGaInP	590	YELLOW	WATER CLEAR	30	2	2.4	700	35	5SUYC
PM5UOCWX.X-CC	AlGaInP	590	YELLOW	WATER CLEAR	30	2	2.4	500	35	5UUYC
PM5UOCWX.X-CC	AlGaInP	625	ORANGE	WATER CLEAR	30	1.8	2.4	1400	35	5UOC
PM5SUOCWX.X-CC	AlGaInP	625	ORANGE	WATER CLEAR	30	1.8	2.4	1300	35	5SUOC
PM5URCWX.X-CC	GaAlAs/GaAs	645	RED	WATER CLEAR	30	1.7	2.4	400	30	5URC
PM5SURCWX.X-CC	AlGaInP	640	RED	WATER CLEAR	30	1.8	2.4	500	35	5SURC
PM5UWCWX.X-CC	InGaN/SiC	6500K	WHITE	WATER CLEAR	100	3.5	4.2	2700	30	5WC2.730

STANDARD TOLERANCE (UNLESS OTHERWISE SPECIFIED) ±10% ALL VALUES		 BIVAR [®] 4 THOMAS, IRVINE, CA. 92618 TEL: (949) 951-8808 FAX: (949) 951-3974	
ANGULAR X° ± 5°			
		TITLE: T-1¼ (5mm) PANEL MOUNT ASSEMBLY	
DESIGNED: Dan Beckman	DATE: 06/28/07	PART NO: PM5XXWX.X-CC	REVISION: J
CHECKED: T. Yin	DATE: 06/28/07	CAGE CODE : 32559	SHEET # 3 OF 4
CAD GENERATED DOCUMENT, DO NOT MEASURE DRAWING.			

LED Assembly P/N	Peak Wave Length λ_p (nm)	Emitted Color	Lens Appearance	Electro-Optical Data				Viewing Angle 2 θ 1/2 (Deg)	LED P/N
				If (mA)	Vf (V)		Iv (mcd)		
				MAX	TYP	MAX	TYP		
PM5BWLWX.X-CC	430	BLUE	DIFFUSED	7	3.8	4.2	4	45	5BWDL
PM5PGDL2X.X-CC	555	PURE GREEN	DIFFUSED	7	2.1	2.6	1	45	5PGDL
PM5GDLWX.X-CC	568	GREEN	DIFFUSED	7	2.1	2.6	5	45	5GDL
PM5YDLWX.X-CC	590	YELLOW	DIFFUSED	7	2	2.6	4	45	5YDL
PM5ADLWX.X-CC	605	AMBER	DIFFUSED	7	2	2.6	4	45	5ADL
PM5HDLWX.X-CC	625	HE RED	DIFFUSED	7	2	2.6	5	45	5HDL
PM5SRDLWX.X	645	SUPER RED	DIFFUSED	7	1.7	2.3	6	45	5SRDL

Assembly P/N	Peak Wave Length λ_p (nm)	Emitted Color	Lens Appearance	Electro-Optical Data				Viewing Angle 2 θ 1/2 (Deg)	LED P/N
				If (mA)	Vf (V)		Iv (mcd)		
				MAX	TYP	MAX	TYP		
5 Volt				Data @ 5V					
PM5BWD5VWX.X-CC	430	BLUE	DIFFUSED	-	-	5	15	40	5BWD5V
PM5GC5VWX.X-CC	568	GREEN	WATER CLEAR	-	-	5	40	40	5GC5V
PM5GD5VWX.X-CC	568	GREEN	DIFFUSED	-	-	5	25	40	5GD5V
PM5GT5VWX.X-CC	568	GREEN	TINTED	-	-	5	40	40	5GT5V
PM5AD5VWX.X-CC	605	AMBER	DIFFUSED	-	-	5	25	40	5AD5V
PM5HD5VWX.X-CC	625	HE RED	DIFFUSED	-	-	5	30	40	5HD5V
PM5RD5VWX.X-CC	700	RED	DIFFUSED	-	-	5	1.5	40	5RD5V
PM5YD5VWX.X-CC	590	YELLOW	DIFFUSED	-	-	5	25	40	5YD5V
12 Volt				Data @ 12V					
PM5GC12VWX.X	568	GREEN	WATER CLEAR	-	-	12	40	35	5GC12V
PM5GD12VWX.X-CC	568	GREEN	DIFFUSED	-	-	12	25	40	5GD12V
PM5HC12VWX.X-CC	625	HE RED	WATER CLEAR	-	-	12	50	35	5HC12V
PM5HD12VWX.X-CC	625	HE RED	DIFFUSED	-	-	12	30	40	5HD12V
PM5RC12VWX.X-CC	700	RED	WATER CLEAR	-	-	12	2	35	5RC12V
PM5RD12VWX.X-CC	700	RED	DIFFUSED	-	-	12	1.5	40	5RD12V
PM5YC12VWX.X-CC	590	YELLOW	WATER CLEAR	-	-	12	25	35	5YC12V
PM5YD12VWX.X-CC	590	YELLOW	DIFFUSED	-	-	12	20	40	5YD12V

STANDARD TOLERANCE (UNLESS OTHERWISE SPECIFIED) $\pm 10\%$ ALL VALUES		 BIVAR [®] 4 THOMAS, IRVINE, CA. 92618 TEL: (949) 951-8808 FAX: (949) 951-3974	
ANGULAR X° \pm 5°			
		TITLE: T-1 1/4 (5mm) PANEL MOUNT ASSEMBLY	
DESIGNED: Dan Beckman	DATE: 06/28/07	PART NO: PM5XXWX.X-CC	REVISION: J
CHECKED: T. Yin	DATE: 06/28/07	CAGE CODE : 32559	SHEET # 4 OF 4
CAD GENERATED DOCUMENT, DO NOT MEASURE DRAWING.			

Mouser Electronics

Authorized Distributor

Click to View Pricing, Inventory, Delivery & Lifecycle Information:

[BIVAR:](#)

[PM5RDW6.0-CC](#)