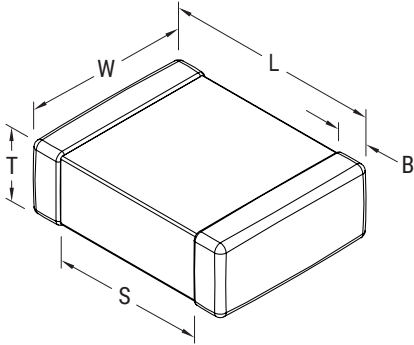


Automotive Capacitors

Sample Kit Contents

| KEMET Part Number | Size | Capacitance | Tolerance | Voltage | Temperature Range | Dielectric Type | Quantity |
|--------------------|--------------|-------------|-----------|-------------------|-------------------|-----------------------|----------|
| C0402C102K5RACAUTO | 0402/1005 | 1,000 pF | 10% | 50 | -55/+125°C | X7R | 10 |
| C0402C103K3RACAUTO | 0402/1005 | 0.01 µF | 10% | 25 | -55/+125°C | X7R | 10 |
| C0402C104K4RACAUTO | 0402/1005 | 0.1 µF | 10% | 16 | -55/+125°C | X7R | 10 |
| C0603C102J1GACAUTO | 0603/1608 | 1,000 pF | 5% | 100 | -55/+125°C | C0G | 10 |
| C0603C104K5RACAUTO | 0603/1608 | 0.1 µF | 10% | 50 | -55/+125°C | X7R | 10 |
| C0603C474K4RACAUTO | 0603/1608 | 0.47 µF | 10% | 16 | -55/+125°C | X7R | 10 |
| C0805C105K4RACAUTO | 0805/2012 | 1 µF | 10% | 16 | -55/+125°C | X7R | 10 |
| C0603C102J2GACAUTO | 0603/1608 | 1,000 pF | 5% | 200 | -55/+125°C | C0G | 10 |
| C0603C103J3GACAUTO | 0603/1608 | 0.01 µF | 5% | 25 | -55/+125°C | C0G | 10 |
| C0603C102K2RECAUTO | 0603/1608 | 1,000 pF | 10% | 200 | -55/+125°C | X7R | 10 |
| C0603C103K1RECAUTO | 0603/1608 | 0.01 µF | 10% | 100 | -55/+125°C | X7R | 10 |
| T598D337M006ATE025 | D/7343-43 | 330 µF | 20% | 6.3 | -55/+125°C | Polymer tantalum | 5 |
| T598D227M010ATE025 | D/7343-43 | 220 µF | 20% | 10 | -55/+125°C | Polymer tantalum | 5 |
| T598D107M016ATE050 | D/7343-43 | 100 µF | 20% | 16 | -55/+125°C | Polymer tantalum | 5 |
| T598D336M025ATE060 | D/7343-43 | 33 µF | 20% | 25 | -55/+125°C | Polymer tantalum | 5 |
| T598D476M025ATE060 | D/7343-43 | 47 µF | 20% | 25 | -55/+125°C | Polymer tantalum | 5 |
| LDEDD3680JA5N00 | 2220/5650 | 0.68 µF | 5% | 63 | -55/+125°C | Metallized PEN | 5 |
| F862BY474K310Z | 18 x 19 mm | 0.47 µF | 10% | 630 VDC/310 VAC | -40/+110°C | Metallized PPS | 3 |
| R413I21000000K | 18 x 11 mm | 0.01 µF | 10% | 1,000 VDC/300 VAC | -40/+110°C | Metallized PPS | 3 |
| R82DC4100AA60K | 7.2 x 10 mm | 1 µF | 10% | 63 | -55/+105°C | Polyester | 3 |
| EEV477M010S9MAA | 8 x 10.2 mm | 470 µF | 20% | 10 | -55/+105°C | Aluminum electrolytic | 3 |
| EEV477M025S9PAA | 10 x 10.2 mm | 470 µF | 20% | 25 | -55/+105°C | Aluminum electrolytic | 3 |
| EXV337M035S9PAA | 10 x 10.2 mm | 330 µF | 20% | 35 | -55/+105°C | Aluminum electrolytic | 3 |
| EDH108M050S9TAA | 16 x 16.5 mm | 1,000 µF | 20% | 50 | -40/+105°C | Aluminum electrolytic | 3 |
| EDH476M063S9MAA | 8 x 10.2 mm | 47 µF | 20% | 63 | -40/+150°C | Aluminum electrolytic | 3 |
| PEG226MH3470QE1 | 20 x 27 mm | 470 µF | -10/+30% | 63 | -40/+150°C | Aluminum electrolytic | 3 |

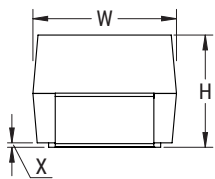
C0G and X7R – Millimeters (Inches)



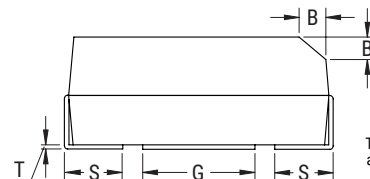
| EIA Size Code | Metric Size Code | L Length | W Width | T Thickness | B Bandwidth | S Separation Minimum | Mounting Technique |
|---------------|------------------|-------------------------------|-------------------------------|---------------------------|-------------------------------|----------------------|------------------------------|
| 0402 | 1005 | 1.00 (0.040) ±0.05 (0.002) | 0.50 (0.020) ±0.05 (0.002) | See Table 2 for Thickness | 0.30 (0.012) ±0.10 (0.004) | 0.30 (0.012) | Solder reflow only |
| 0603 | 1608 | 1.60 (0.063) ±0.15 (0.006) | 0.80 (0.032) ±0.15 (0.006) | | 0.35 (0.014) ±0.15 (0.006) | 0.70 (0.028) | Solder wave or solder reflow |
| 0805 | 2012 | 2.00 (0.079) ±0.20 (0.008) | 1.25 (0.049) ±0.20 (0.008) | | 0.50 (0.02) ±0.25 (0.010) | 0.75 (0.030) | |

T598 Dimensions – Millimeters (Inches)

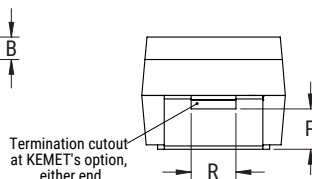
CATHODE (-) END VIEW



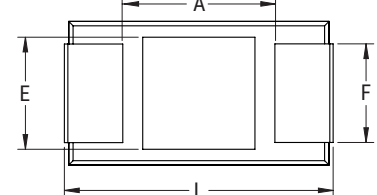
SIDE VIEW



ANODE (+) END VIEW



BOTTOM VIEW

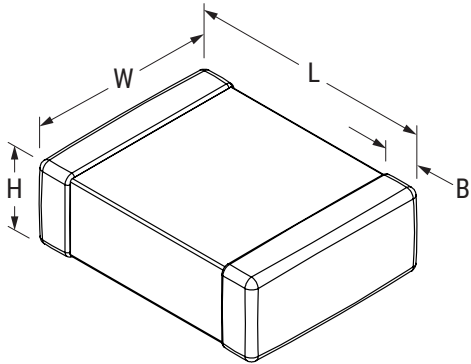


| Case Size | | Component | | | | | | | | | | | Total Weight |
|-----------|---------|----------------------------|----------------------------|----------------------------|----------------------------|----------------------------|-----------------------------|------------------------------|----------------|----------------|-----------------|----------------|--------------|
| KEMET | EIA | L | W | H | F | S | B (Ref) | X (Ref) | P (Ref) | R (Ref) | T (Ref) | A (Min) | (mg) |
| D | 7343-31 | 7.3 ±0.3 (0.287 ±0.012) | 4.3 ±0.3 (0.169 ±0.012) | 2.8 ±0.3 (0.110 ±0.012) | 2.4 ±0.1 (0.094 ±0.004) | 1.3 ±0.3 (0.051 ±0.012) | 0.5 ±0.15 (0.020 ±0.006) | 0.10 ±0.10 (0.004 ±0.004) | 0.9 (0.035) | 1.0 (0.039) | 0.13 (0.005) | 3.8 (0.150) | 292 |

Notes: (Ref) – Dimensions provided for reference only.

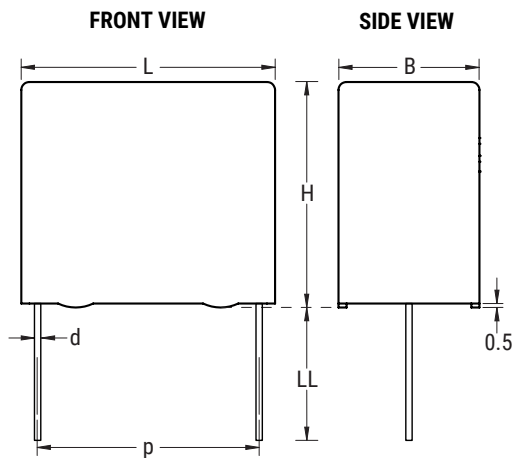
These weights are provided as reference. If exact weights are needed, please contact your KEMET Sales Representative

LDE Dimensions – Millimeters (Inches)



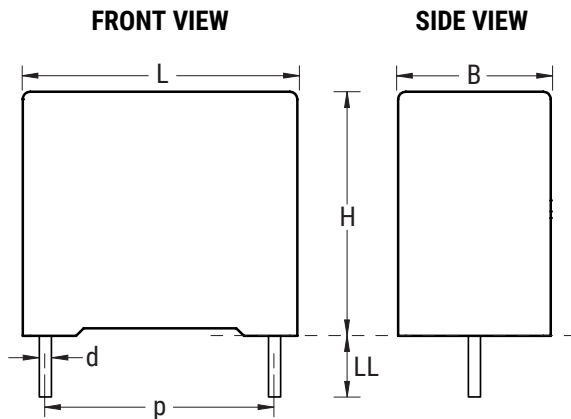
| Size Code | Chip Size (EIA) | W | | H (Maximum) | L | | B | |
|-----------|-----------------|---------|-----------|-----------------------|---------|-----------|---------|-----------|
| | | Nominal | Tolerance | | Nominal | Tolerance | Nominal | Tolerance |
| D | 2220 | 5.0 | ±0.4 | See Part Number Table | 6.0 | ±0.3 | 0.5 | +0.5/-0.3 |

F862 Dimensions – Millimeters



| Size Code | p | | B | | H | | L | | d | |
|---|---------|-----------|---------|-----------|---------|-----------|---------|-----------|---------|-----------|
| | Nominal | Tolerance | Nominal | Tolerance | Nominal | Tolerance | Nominal | Tolerance | Nominal | Tolerance |
| BY | 15.0 | ±0.4 | 11.0 | Maximum | 19.0 | Maximum | 18.0 | Maximum | 0.8 | ±0.05 |
| Note: See Ordering Options Table for lead length (LL/H₀) options. | | | | | | | | | | |

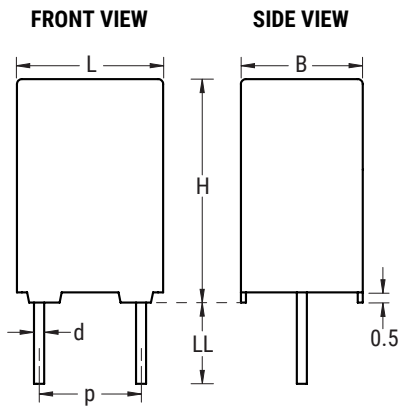
R41 Dimensions – Millimeters



| p | | B | | H | | L | | d | |
|----------|-----------|----------|-----------|----------|-----------|----------|-----------|----------|-----------|
| Nominal | Tolerance | Nominal | Tolerance | Nominal | Tolerance | Nominal | Tolerance | Nominal | Tolerance |
| 10.0 | ±0.4 | 4.0 | +0.2 | 9.0 | +0.1 | 13.0 | +0.2 | 0.6 | ±0.05 |
| 10.0 | ±0.4 | 5.0 | +0.2 | 11.0 | +0.1 | 13.0 | +0.2 | 0.6 | ±0.05 |
| 10.0 | ±0.4 | 6.0 | +0.2 | 12.0 | +0.1 | 13.0 | +0.2 | 0.6 | ±0.05 |
| 15.0 | ±0.4 | 5.0 | +0.2 | 11.0 | +0.1 | 18.0 | +0.3 | 0.6 | ±0.05 |
| 15.0 | ±0.4 | 6.0 | +0.2 | 12.0 | +0.1 | 18.0 | +0.3 | 0.6 | ±0.05 |
| 15.0 | ±0.4 | 7.5 | +0.2 | 13.5 | +0.1 | 18.0 | +0.5 | 0.6 | ±0.05 |
| 15.0 | ±0.4 | 8.5 | +0.2 | 14.5 | +0.1 | 18.0 | +0.5 | 0.6 | ±0.05 |
| 15.0 | ±0.4 | 11.0 | +0.2 | 19.0 | +0.1 | 18.0 | +0.5 | 0.8 | ±0.05 |
| 22.5 | ±0.4 | 6.0 | +0.2 | 15.0 | +0.1 | 26.5 | +0.3 | 0.8 | ±0.05 |
| 22.5 | ±0.4 | 7.0 | +0.2 | 16.0 | +0.1 | 26.5 | +0.3 | 0.8 | ±0.05 |
| 22.5 | ±0.4 | 8.5 | +0.2 | 17.0 | +0.1 | 26.5 | +0.3 | 0.8 | ±0.05 |
| 22.5 | ±0.4 | 10.0 | +0.2 | 18.5 | +0.1 | 26.5 | +0.3 | 0.8 | ±0.05 |
| 22.5 | ±0.4 | 13.0 | +0.2 | 22.0 | +0.1 | 26.5 | +0.3 | 0.8 | ±0.05 |
| 27.5 | ±0.4 | 13.0 | +0.2 | 22.0 | +0.1 | 32.0 | +0.3 | 0.8 | ±0.05 |
| 27.5 | ±0.4 | 14.0 | +0.2 | 28.0 | +0.1 | 32.0 | +0.3 | 0.8 | ±0.05 |
| 27.5 | ±0.4 | 18.0 | +0.2 | 33.0 | +0.1 | 32.0 | +0.3 | 0.8 | ±0.05 |
| 37.5 | ±0.4 | 13.0 | +0.3 | 24.0 | +0.1 | 41.5 | +0.3 | 1.0 | ±0.05 |
| 37.5 | ±0.4 | 16.0 | +0.3 | 28.5 | +0.1 | 41.5 | +0.3 | 1.0 | ±0.05 |
| 37.5 | ±0.4 | 20.0 | +0.3 | 40.0 | +0.1 | 41.5 | +0.3 | 1.0 | ±0.05 |

Note: See Ordering Options Table for lead length (LL/H₀) options.

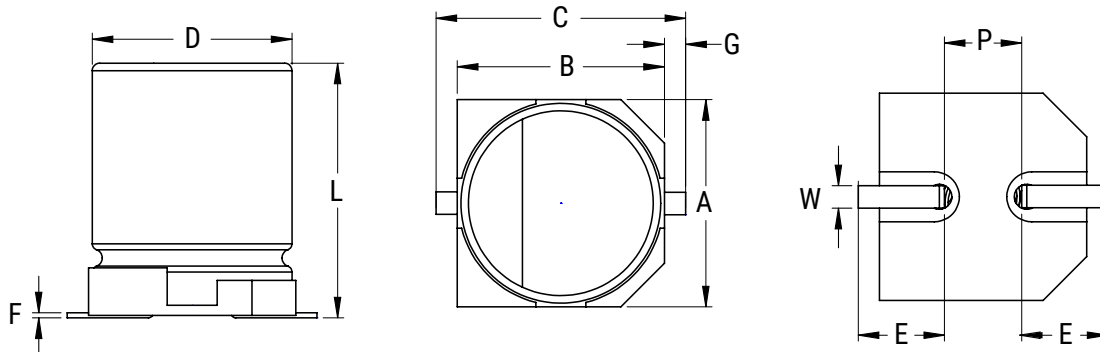
R82 Dimensions – Millimeters



| p | | B | | H | | L | | d | |
|----------|-----------|----------|-----------|----------|-----------|----------|-----------|----------|-----------|
| Nominal | Tolerance | Nominal | Tolerance | Nominal | Tolerance | Nominal | Tolerance | Nominal | Tolerance |
| 5.0 | ±0.4 | 2.5 | +0.1 | 6.5 | +0.1 | 7.2 | +0.2 | 0.5 | ±0.05 |
| 5.0 | ±0.4 | 3.5 | +0.1 | 7.5 | +0.1 | 7.2 | +0.2 | 0.5 | ±0.05 |
| 5.0 | ±0.4 | 4.5 | +0.1 | 9.5 | +0.1 | 7.2 | +0.3 | 0.5 | ±0.05 |
| 5.0 | ±0.4 | 5.0 | +0.1 | 10.0 | +0.1 | 7.2 | +0.3 | 0.5 | ±0.05 |
| 5.0 | ±0.4 | 6.0 | +0.1 | 11.0 | +0.1 | 7.2 | +0.3 | 0.5 | ±0.05 |
| 5.0 | ±0.4 | 7.2 | +0.1 | 13.0 | +0.1 | 7.2 | +0.3 | 0.6 | ±0.05 |

Note: See Ordering Options Table for lead length (LL/H₀) options.

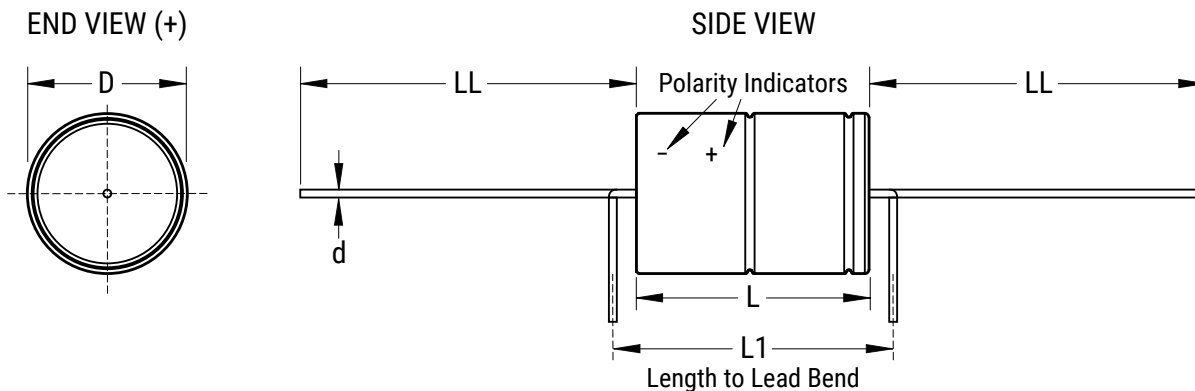
EEV, EXV, and EDH Dimensions – Millimeters



| Size Code | D | | L | | A/B | | C | | E | |
|-----------|---------|-----------|---------|-----------|---------|-----------|---------|-----------|---------|-----------|
| | Nominal | Tolerance | Nominal | Tolerance | Nominal | Tolerance | Nominal | Tolerance | Nominal | Tolerance |
| 9M | 8 | ±0.5 | 10.2 | ±0.3 | 8.3 | ±0.2 | 10 | Maximum | 3.4 | ±0.2 |
| 9P | 10 | ±0.5 | 10.2 | ±0.3 | 10.3 | ±0.2 | 13 | Maximum | 3.5 | ±0.2 |
| 9T | 16 | ±0.5 | 16.5 | ±1.0 | 16.3 | ±0.2 | 18.7 | Maximum | 5.8 | ±0.2 |

| Size Code | F | | G | | P | | W | |
|-----------|---------|-----------|---------|-----------|---------|-----------|---------|-----------|
| | Nominal | Tolerance | Nominal | Tolerance | Nominal | Tolerance | Nominal | Tolerance |
| 9M | 0.3 | Maximum | 0.70 | ±0.2 | 3.1 | ±0.2 | 0.9 | ±0.2 |
| 9P | 0.3 | Maximum | 0.70 | ±0.2 | 4.6 | ±0.2 | 0.9 | ±0.2 |
| 9T | 0.3 | Maximum | 1.0 | ±0.2 | 6.0 | ±0.2 | 2.0 | ±0.2 |

PEG226 Dimensions – Millimeters



| Size Code | Dimensions in mm | | | | | Approximate Weight Grams |
|-----------|------------------|------|---------|-------|----------|--------------------------|
| | D | L | L1 | d | LL | |
| H | ±0.5 | ±1 | Minimum | ±0.03 | b ±2 Box | 13 |
| J | 20 | 26.5 | 33 | 1.0 | 40 | 20 |

Note: L1 is KEMET's recommendation for minimum distance between symmetrical lead bend. Available only for customer specific part numbers. Lead bend dimensions must be specified and confirmed per article.

Mouser Electronics

Authorized Distributor

Click to View Pricing, Inventory, Delivery & Lifecycle Information:

[KEMET:](#)

[AUTO ENG KIT 1](#)