

LTC1407A, LTC1403A,
 LTC1407A-1, LTC1403A-1,
 LTC2356-14, LTC2355-14, 14-Bit,
 3.5Msps/3Msps/2.8Msps SAR ADCs

DESCRIPTION

Demonstration circuit 1082A features the [LTC®1407](#) family of SAR ADCs. This quick start guide will focus on DC1082A-A which uses the LTC1407A-1, a bipolar, 2-channel, 14-bit, simultaneous sampling ADC. Total throughput is 3Msps; 1.5Msps per channel, with a typical channel-to-channel aperture skew of 200ps. Other family members have 12 bits (LTC1403, LTC1407, LTC2355-12 and LTC2356-12) or one channel (LTC1403, LTC1403A, LTC2355-14 and LTC2356-14). The LTC1407 family also has unipolar and bipolar versions. See Table 1 for the specific version of DC1082A that best suits your appli-

cation. DC1082A demonstrates the AC performance of the LTC1407 family in conjunction with the DC890 data collection board and PScope™ software. Alternatively, by connecting DC1082A into a customer application the performance of the LTC1407 family member can be evaluated directly in that circuit.

Design files for this circuit board are available at <http://www.linear.com/demo>

LT, LT, LTC, LTM, Linear Technology and the Linear logo are registered trademarks and PScope is a trademark of Linear Technology Corporation. All other trademarks are the property of their respective owners.

DC1082A CONFIGURATION SUMMARY

VERSION	PART	NUMBER OF BITS	INPUT RANGE	SAMPLE RATE	NUMBER OF CHANNELS
DC1082A-A	LTC1407ACMSE-1	14	±1.25V	3Msps (1.5Msps/Ch)	2
DC1082A-B	LTC1407ACMSE	14	0V to 2.5V	3Msps (1.5Msps/Ch)	2
DC1082A-C	LTC1403ACMSE-1	14	±1.25V	2.8Msps	1
DC1082A-D	LTC1403ACMSE	14	0V to 2.5V	2.8Msps	1
DC1082A-E	LTC2356CMSE-14	14	±1.25V	3.5Msps	1
DC1082A-F	LTC2355CMSE-14	14	0V to 2.5V	3.5Msps	1

QUICK START PROCEDURE

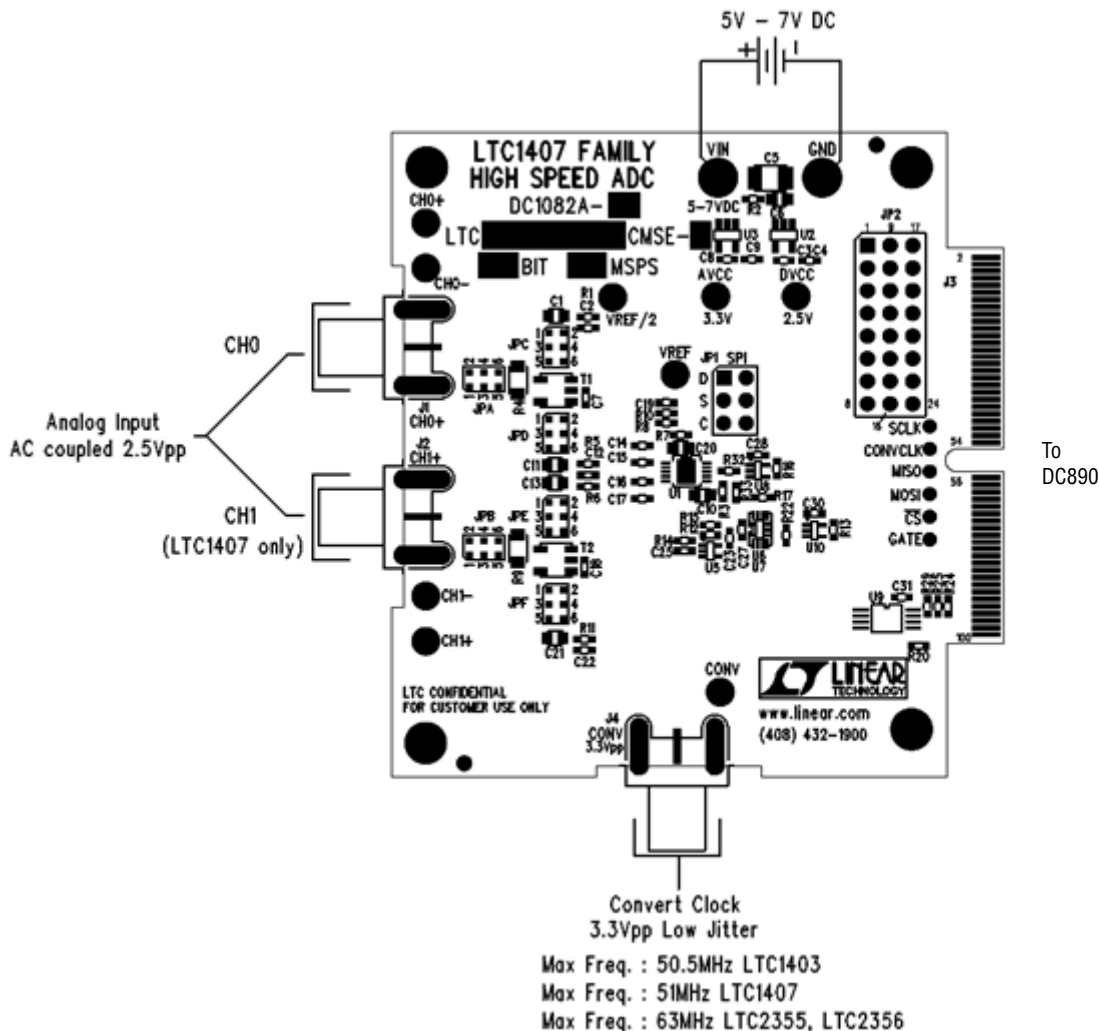


Figure 1. DC1082A Connection Diagram

- Connect DC1082A to a DC890 USB high speed data collection board, using connector J3.
- Connect DC890 to a host PC with a standard USB A/B cable.
- Apply 5V to 7V DC to the VIN and GND terminals.
- Apply a low jitter signal source to J1 (CH0) and J2 (CH1), if applicable. Both J1 and J2, if included, are terminated with 50Ω to ground.
- As a clock source, apply a low jitter 51MHz (50.5MHz for LTC1403, 63MHz for LTC2355 and LTC2356)

3.3V_{p-p} sine wave or square wave to connector J4. Note that J4 has a 50Ω termination resistor to ground.

- Run the PScope software (Pscope.exe version K46, or later) supplied with the DC890, or download it from www.linear.com/software.

Complete software documentation is available from the Help menu. Updates can be downloaded from the Tools menu. Check for updates periodically, as new features may be added.

SOFTWARE CONFIGURATION

The PScope software should recognize DC1082A and configure itself automatically.

Click the Collect button (See Figure 2) to begin acquiring data. Depending on which board was previously used by

PScope, it may be necessary to press Collect a second time. The Collect button then changes to Pause, which can be used to pause data acquisition.

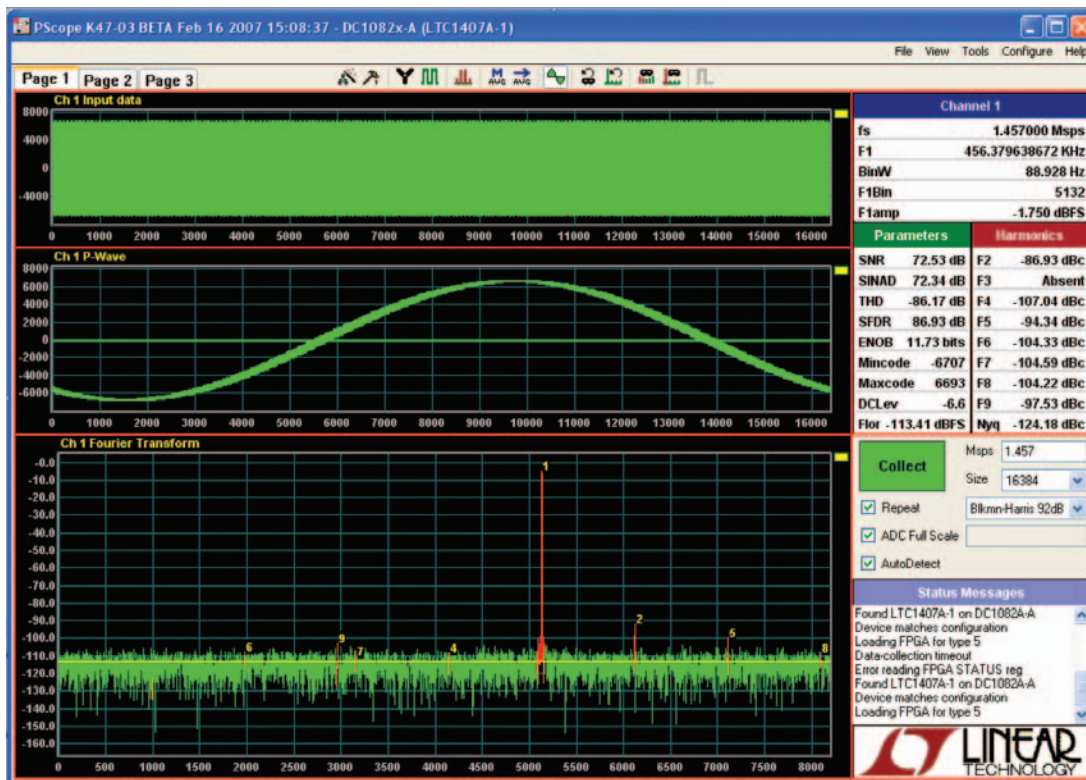


Figure 2. DC1082A Screenshot

DEMO MANUAL DC1082A

HARDWARE SETUP

SIGNAL CONNECTIONS

J1 to J2: SMA connectors for CH0 and CH1 are differential inputs. These inputs have 50Ω termination resistors. Limit input voltage swings to 2.5V_{p-p}. For optimum performance, the input should be band limited to the frequencies of interest. These signals are capacitively coupled to the ADC inputs, as shipped from the factory. If the DC level of the signal applied is important, JPC-JPF must be properly configured (see schematic for details).

J3: DC890 Interface. Connect to DC890.

J4: Conversion Clock Input. This input has a 50Ω termination resistor, and is intended to be driven by a low jitter, 3.3V_{p-p} sine or square wave. To achieve the full AC

performance of this part, the clock jitter should be kept under 2ps. This input is capacitively coupled so that the input clock can be either 0V to 3.3V, or ±1.65V so that level shifting is not required. To run at maximum conversion rate, apply a 51MHz signal for the LTC1407, or 50.5MHz signal for the LTC1403, to this input. For the LTC2355 and LTC2356, apply a 63MHz signal to achieve the maximum conversion rate.

GROUNDING AND POWER CONNECTION

Connect a 5V to 7V power supply to the VIN and GND turret posts. For optimum performance, this supply should be floating with respect to any signal

PARTS LIST

ITEM	QTY	REFERENCE	PART DESCRIPTION	MANUFACTURER/PART NUMBER
Required Circuit Components				
1	9	C2, C7, C12, C23, C25, C27, C28, C30, C31	CAP., X7R, 0.1μF, 16V, 10%, 0603	AVX, 0603YC104KAT
2	2	C8, C3	CAP., X7R, 0.01μF, 50V, 10%, 0603	AVX, 06035C103KAT
3	2	C4, C9	CAP., X5R, 1μF, 16V, 20%, 0603	AVX, 0603YD105MAT
4	1	C19	CAP., X7R, 1μF, 16V, 20%, 0603	TDK, C1608X7R1C105M
5	2	C1, C11	CAP., X7R, 1.0μF, 10V, 20%, 0805	AVX, 0805ZC105MAT2A
6	1	C5	CAP., X5R, 100μF, 6.3V, 20%, 1210	AVX, 12106D107MAT
7	3	C6, C10, C20	CAP., X5R, 10μF, 6.3V, 20%, 0805	AVX, 08056D106MAT
8	2	C14, C15	CAP., C0G, 47pF, 50V, 10%, 0603	AVX, 06035A470KAT
9	2	E1-E2	TESTPOINT, TURRET, 0.094"	MILL-MAX, 2501-2-00-80-00-00-07-0
10	7	E3-E6, E8, E9, E11	TESTPOINT, TURRET, 0.061"	MILL-MAX, 2308-2-00-80-00-00-07-0
11	1	JP1	JMP, 2×3, 0.100"	SAMTEC, TSW-103-07-L-D
12	2	J1, J4	CON., SMA, 50Ω, EDGE-LAUNCH	CONNEX, 132357
13	2	R1, R5	RES., CHIP, 10k, 1/16W, 5%, 0603	AAC, CR16-103JM
14	1	R2	RES., CHIP, 10, 1/16W, 5%, 0603	AAC, CR16-100JM
15	1	R3	RES., CHIP, 1.0, 1/16W, 5%, 0603	AAC, CR16-1R0JM
16	1	R4	RES., CHIP, 49.9, 1/4W, 1%, 1206	AAC, CR18-49R9FM
17	2	R7, R14	RES., CHIP, 49.9, 1/16W, 1%, 0603	AAC, CR16-49R9FM
18	5	R8, R10, R24, R25, R29	RES., CHIP, 4.99k, 1/16W, 1%, 0603	AAC, CR16-4991FM
19	3	R12, R15, R22	RES., CHIP, 1k, 1/16W, 5%, 0603	AAC, CR16-102JM
20	3	R13, R16, R17	RES., CHIP, 33, 1/16W, 5%, 0603	AAC, CR16-330JM
21	1	R20	RES., CHIP, 4.7k, 1/16W, 5%, 0603	AAC, CR16-472JM
22	2	R32, R33	RES., CHIP, 510, 1/16W, 5%, 0603	AAC, CR16-511JM

PARTS LIST

ITEM	QTY	REFERENCE	PART DESCRIPTION	MANUFACTURER/PART NUMBER
23	1	U2	I.C., LTC1844ES5-2.5, TSOT-23, S5	LINEAR TECHNOLOGY, LTC1844ES5-2.5#PBF
24	1	U3	I.C., LTC1844ES5-3.3, TSOT-23, S5	LINEAR TECHNOLOGY, LTC1844ES5-3.3#PBF
25	3	U5, U8, U10	I.C., ULP INVERTER, SC70-5	FAIRCHILD, NC7SVU04P5X_NL
26	1	U6	I.C., SINGLE D, FLIP FLOP, US8	ON SEMI., NL17SZ74USG
27	0	U7 (OPT.)	I.C., NC7SZ66P5X, SC70-5	
28	1	U9	I.C., 24LC025, TSSOP-8	MICROCHIP, 24LC025-I /ST (PbF)
29	4	(STAND-OFF)	STAND-OFF, NYLON 0.25"	KEYSTONE, 8831(SNAP-ON)

DC1082A-A Required Circuit Components

1	1	DC1082A	DC1082A GENERAL BOM	
2	2	C13, C21	CAP., X7R, 1.0 μ F, 10V, 20%, 0805	AVX, 0805ZC105MAT2A
3	2	C16, C17	CAP., COG, 47pF, 50V, 10%, 0603	AVX, 06035A470KAT
4	2	C18, C22	CAP., X7R, 0.1 μ F, 16V, 10%, 0603	AVX, 0603YC104KAT
5	2	T1, T2	TRANSFORMER	M/A-COM, MABAES0060
6	1	JP2	SOLDER JUMPER WIRE 22 AWG FROM PIN 8 TO PIN 16 (SEE ASSY DRAWING)	
7	1	J2	CON., SMA, 50 Ω , EDGE-LAUNCH	CONNEX, 132357
8	2	E7, E10	TESTPOINT, TURRET, 0.061"	MILL-MAX, 2308-2-00-80-00-00-07-0
9	1	R9	RES., CHIP, 49.9, 1/4W, 1%, 1206	AAC, CR18-49R9FM
10	2	R6, R11	RES., CHIP, 10K, 1/16W, 5%, 0603	AAC, CR16-103JM
11	2	JPA: (3-5), (4-6)	RES., CHIP, 0, 1/16W, 0603	AAC, CJ06-000 M
12	2	JPB: (3-5), (4-6)	RES., CHIP, 0, 1/16W, 0603	AAC, CJ06-000 M
13	2	JPC: (1-3), (2-4)	RES., CHIP, 0, 1/16W, 0603	AAC, CJ06-000 M
14	2	JPD: (3-5), (4-6)	RES., CHIP, 0, 1/16W, 0603	AAC, CJ06-000 M
15	2	JPE: (1-3), (2-4)	RES., CHIP, 0, 1/16W, 0603	AAC, CJ06-000 M
16	2	JPF: (3-5), (4-6)	RES., CHIP, 0, 1/16W, 0603	AAC, CJ06-000 M
10	1	U1	I.C., LTC1407ACMSE-1 MSE	LINEAR TECHNOLOGY, LTC1407ACMSE-1#PBF

DC1082A-B Required Circuit Components

1	1	DC1082A	DC1082A GENERAL BOM	
2	2	C13, C21	CAP., X7R, 1.0 μ F, 10V, 20%, 0805	AVX, 0805ZC105MAT2A
3	2	C16, C17	CAP., COG, 47pF, 50V, 10%, 0603	AVX, 06035A470KAT
4	2	C18, C22	CAP., X7R, 0.1 μ F, 16V, 10%, 0603	AVX, 0603YC104KAT
5	0	T1, T2 (OPT.)	TRANSFORMER	
6	1	JP2	SOLDER JUMPER WIRE 22 AWG FROM PIN 8 TO PIN 16 (SEE ASSY DRAWING)	
7	1	J2	CON., SMA, 50 Ω , EDGE-LAUNCH	CONNEX, 132357
8	2	E7, E10	TESTPOINT, TURRET, 0.061"	MILL-MAX, 2308-2-00-80-00-00-07-0
9	1	R9	RES., CHIP, 49.9, 1/4W, 1%, 1206	AAC, CR18-49R9FM
10	2	R6, R11	RES., CHIP, 10k, 1/16W, 5%, 0603	AAC, CR16-103JM
11	2	JPA: (3-5), (4-6)	RES., CHIP, 0, 1/16W, 0603	AAC, CJ06-000 M
12	2	JPB: (3-5), (4-6)	RES., CHIP, 0, 1/16W, 0603	AAC, CJ06-000 M
13	2	JPC: (1-3), (2-4)	RES., CHIP, 0, 1/16W, 0603	AAC, CJ06-000 M
14	1	JPD: (3-4)	RES., CHIP, 0, 1/16W, 0603	AAC, CJ06-000 M

DEMO MANUAL DC1082A

PARTS LIST

ITEM	QTY	REFERENCE	PART DESCRIPTION	MANUFACTURER/PART NUMBER
15	2	JPE: (1-3), (2-4)	RES., CHIP, 0, 1/16W, 0603	AAC, CJ06-000 M
16	1	JPF: (3-4)	RES., CHIP, 0, 1/16W, 0603	AAC, CJ06-000 M
10	1	U1	I.C., LTC1407ACMSE MSE	LINEAR TECHNOLOGY, LTC1407ACMSE#PBF

DC1082A-C Required Circuit Components

1	1	DC1082A	DC1082A GENERAL BOM	
2	0	C13, C21 (NOT INSTALLED)	CAP., 0805	
3	2	C16, C17	RES., CHIP, 0, 1/16W, 0603	AAC, CJ06-000 M
4	0	C18, C22 (NOT INSTALLED)	CAP., 0603	
5	1	T1	TRANSFORMER	M/A-COM, MABAES0060
6	0	T2 (NOT INSTALLED)	TRANSFORMER	
7	1	JP2	SOLDER JUMPER WIRE 22 AWG FROM PIN 16 TO PIN 24 (SEE ASSY DRAWING)	
8	0	J2 (NOT INSTALLED)		
9	0	E7, E10 (NOT INSTALLED)	TESTPOINT, TURRET, 0.061"	
10	0	R9 (NOT INSTALLED)	RES., CHIP, 1206	
11	0	R6, R11 (NOT INSTALLED)	RES., CHIP, 0603	
12	2	JPA: (3-5), (4-6)	RES., CHIP, 0, 1/16W, 0603	AAC, CJ06-000 M
13	0	JPB: (OPEN)		
14	2	JPC: (1-3), (2-4)	RES., CHIP, 0, 1/16W, 0603	AAC, CJ06-000 M
15	1	JPD: (3-5), (4-6)	RES., CHIP, 0, 1/16W, 0603	AAC, CJ06-000 M
16	0	JPE: (OPEN)		
17	0	JPF: (OPEN)		
18	1	U1	I.C., LTC1403ACMSE-1 MSE	LINEAR TECHNOLOGY, LTC1403ACMSE-1#PBF

DC1082A-D Required Circuit Components

1	1	DC1082A	DC1082A GENERAL BOM	
2	0	C13, C21 (NOT INSTALLED)	CAP., 0805	
3	2	C16, C17	RES., CHIP, 0, 1/16W, 0603	AAC, CJ06-000 M
4	0	C18, C22 (NOT INSTALLED)	CAP., 0603	
5	0	T1 (OPT.)	TRANSFORMER	
6	0	T2 (NOT INSTALLED)	TRANSFORMER	
7	1	JP2	SOLDER JUMPER WIRE 22 AWG FROM PIN 16 TO PIN 24 (SEE ASSY DRAWING)	
8	0	J2 (NOT INSTALLED)	CON., SMA, 50Ω, EDGE-LAUNCH	
9	0	E7, E10 (NOT INSTALLED)	TESTPOINT, TURRET, 0.061"	
10	0	R9 (NOT INSTALLED)	RES., CHIP, 1206	
11	0	R6, R11 (NOT INSTALLED)	RES., CHIP, 0603	
12	2	JPA: (3-5), (4-6)	RES., CHIP, 0, 1/16W, 0603	AAC, CJ06-000 M
13	0	JPB: (OPEN)		
14	2	JPC: (1-3), (2-4)	RES., CHIP, 0, 1/16W, 0603	AAC, CJ06-000 M
15	1	JPD: (3-4)	RES., CHIP, 0, 1/16W, 0603	AAC, CJ06-000 M
16	0	JPE: (OPEN)		
17	0	JPF: (OPEN)		
18	1	U1	I.C., LTC1403ACMSE MSE	LINEAR TECHNOLOGY, LTC1403ACMSE#PBF

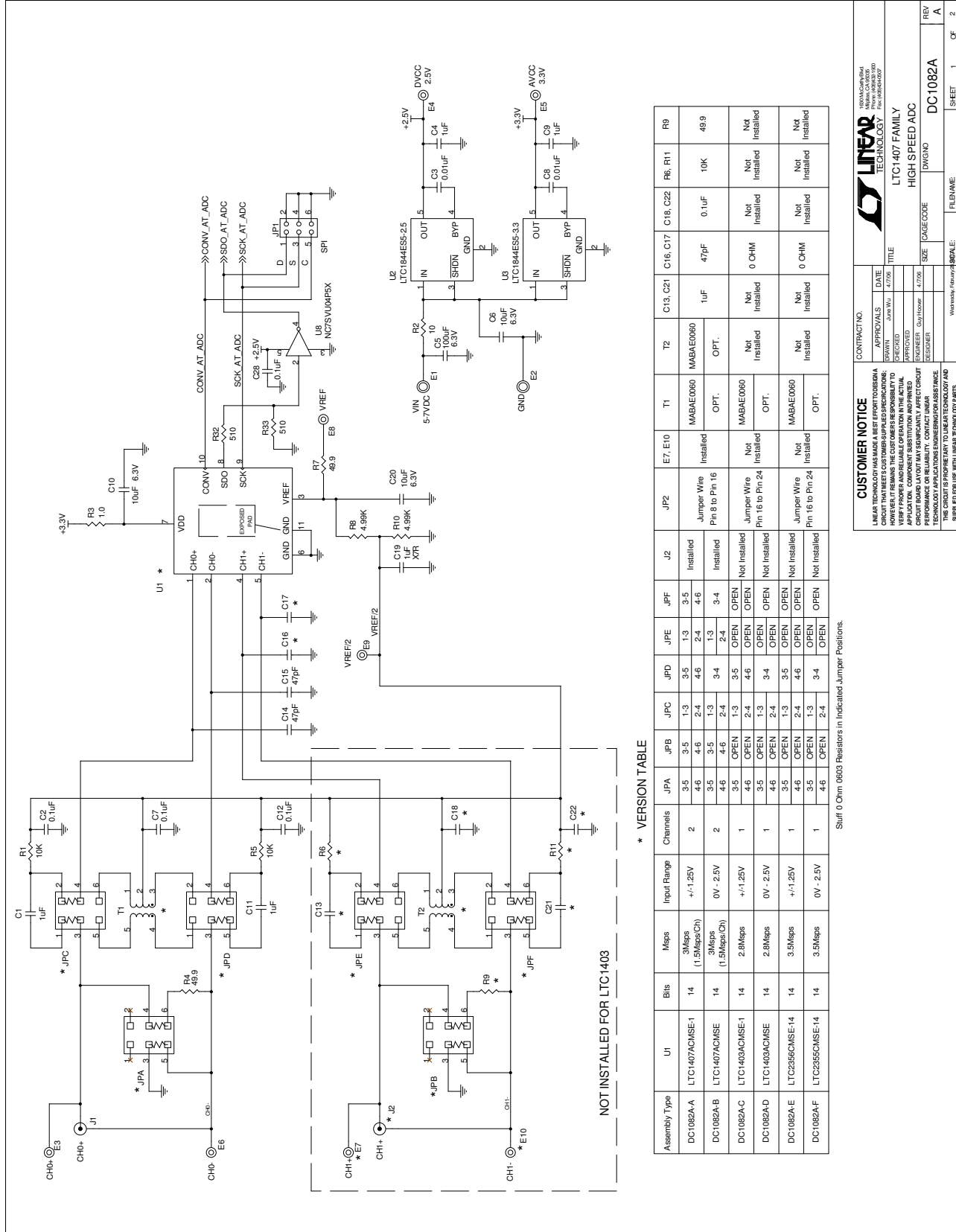
DC1082af

PARTS LIST

ITEM	QTY	REFERENCE	PART DESCRIPTION	MANUFACTURER/PART NUMBER
DC1082A-E Required Circuit Components				
1	1	DC1082A	DC1082A GENERAL BOM	
2	0	C13, C21 (NOT INSTALLED)	CAP., 0805	
3	2	C16, C17	RES., CHIP, 0, 1/16W, 0603	AAC, CJ06-000 M
4	0	C18, C22 (NOT INSTALLED)	CAP., 0603	
5	1	T1	TRANSFORMER	M/A-COM, MABAES0060
6	0	T2 (NOT INSTALLED)	TRANSFORMER	
7	1	JP2	SOLDER JUMPER WIRE 22 AWG FROM PIN 16 TO PIN 24 (SEE ASSY DRAWING)	
8	0	J2 (NOT INSTALLED)		
9	0	E7, E10 (NOT INSTALLED)	TESTPOINT, TURRET, 0.061"	
10	0	R9 (NOT INSTALLED)	RES., CHIP, 1206	
11	0	R6, R11 (NOT INSTALLED)	RES., CHIP, 0603	
12	2	JPA: (3-5), (4-6)	RES., CHIP, 0, 1/16W, 0603	AAC, CJ06-000 M
13	0	JPB: (OPEN)		
14	2	JPC: (1-3), (2-4)	RES., CHIP, 0, 1/16W, 0603	AAC, CJ06-000 M
15	1	JPD: (3-5), (4-6)	RES., CHIP, 0, 1/16W, 0603	AAC, CJ06-000 M
16	0	JPE: (OPEN)		
17	0	JPF: (OPEN)		
18	1	U1	I.C., LTC2356CMSE-14, MSE	LINEAR TECHNOLOGY, LTC2356CMSE-14#PBF
DC1082A-F Required Circuit Components				
1	1	DC1082A	DC1082A GENERAL BOM	
2	0	C13, C21 (NOT INSTALLED)	CAP., 0805	
3	2	C16, C17	RES., CHIP, 0, 1/16W, 0603	AAC, CJ06-000 M
4	0	C18, C22 (NOT INSTALLED)	CAP., 0603	
5	0	T1 (OPT.)	TRANSFORMER	
6	0	T2 (NOT INSTALLED)	TRANSFORMER	
7	1	JP2	SOLDER JUMPER WIRE 22 AWG FROM PIN 16 TO PIN 24 (SEE ASSY DRAWING)	
8	0	J2 (NOT INSTALLED)	CON., SMA, 50Ω, EDGE-LAUNCH	
9	0	E7, E10 (NOT INSTALLED)	TESTPOINT, TURRET, 0.061"	
10	0	R9 (NOT INSTALLED)	RES., CHIP, 1206	
11	0	R6, R11 (NOT INSTALLED)	RES., CHIP, 0603	
12	2	JPA: (3-5), (4-6)	RES., CHIP, 0, 1/16W, 0603	AAC, CJ06-000 M
13	0	JPB: (OPEN)		
14	2	JPC: (1-3), (2-4)	RES., CHIP, 0, 1/16W, 0603	AAC, CJ06-000 M
15	1	JPD: (3-4)	RES., CHIP, 0, 1/16W, 0603	AAC, CJ06-000 M
16	0	JPE: (OPEN)		
17	0	JPF: (OPEN)		
18	1	U1	I.C., LTC2355CMSE-14 MSE	LINEAR TECHNOLOGY, LTC2355CMSE-14#PBF

DEMO MANUAL DC1082A

SCHEMATIC DIAGRAM



CUSTOMER NOTICE

LINEAR TECHNOLOGY HAS MADE A BEST EFFORT TO DESIGN A CIRCUIT THAT MEETS CUSTOMER SPECIFICATIONS. CUSTOMERS SHOULD VERIFY PROPER AND RELIABLE OPERATION IN THEIR ACTUAL APPLICATION. COMPONENT SUBSTITUTION AND PRINTED CIRCUIT BOARD MANUFACTURING VARIATIONS MAY AFFECT PERFORMANCE OR RELIABILITY. CONTACT LINEAR TECHNOLOGY APPLICATIONS ENGINEERING FOR ASSISTANCE.

THIS CIRCUIT IS PROPRIETARY TO LINEAR TECHNOLOGY AND SUPPLIED FOR USE WITH LINEAR TECHNOLOGY PARTS.

CONTRACT NO.

APPROVALS: _____ DATE: _____

DRAWN: _____ JUN 01 4/7/00

CHECKED: _____

DESIGNED: _____ 4/7/00

REVIEWED: _____

DATE: _____

LINEAR TECHNOLOGY

LTC1407 FAMILY
HIGH SPEED ADC

DATE CODE

SIZE

PACKAGE CODE

DWGNO

REV

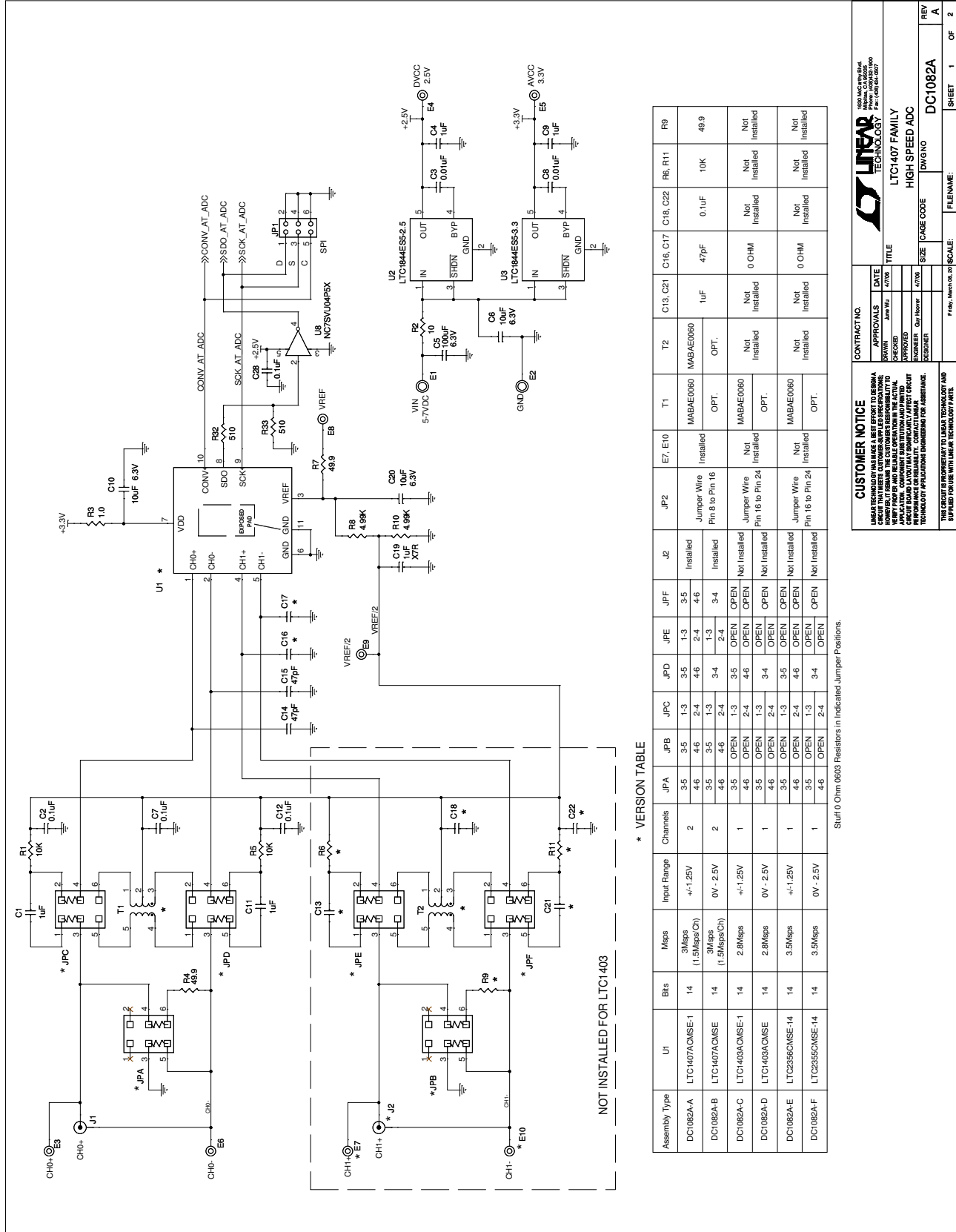
DC1082A

A

SHEET 1 OF 2

Figure 3. LTC1407 Family High Speed ADC

SCHEMATIC DIAGRAM



CUSTOMER NOTICE
 LINEAR TECHNOLOGY HAS MADE A BEST EFFORT TO DESIGN A CIRCUIT THAT MEETS CUSTOMER-SPECIFIED REQUIREMENTS. HOWEVER, NO REPRESENTATION IS MADE THAT THE CIRCUIT WILL PERFORM AS SPECIFIED IN ALL APPLICATIONS. THE ACTUAL PERFORMANCE OF THE CIRCUIT MAY VARY FROM THE SPECIFIED PERFORMANCE DUE TO VARIATIONS IN COMPONENTS, MANUFACTURING TOLERANCES, AND ENVIRONMENTAL CONDITIONS. CUSTOMERS ARE ADVISED TO VERIFY THE ACTUAL PERFORMANCE OF THE CIRCUIT IN THEIR APPLICATIONS. LINEAR TECHNOLOGY ACCEPTS NO LIABILITY FOR DAMAGES, INCLUDING CONSEQUENTIAL DAMAGES, ARISING FROM THE USE OF THIS CIRCUIT OR FROM THE INFORMATION CONTAINED HEREIN.

CONTRACT NO. MABAE0060
APPROVALS: DESIGNER: [Signature] DATE: 4/2008
 CHECKED: [Signature]
 ENGINEER: [Signature]
DESIGNER: ONI/MSW
DATE: 4/2008
FILE NAME: DC1082A
REV: A
OF: 2



Information furnished by Linear Technology Corporation is believed to be accurate and reliable. However, no responsibility is assumed for its use. Linear Technology Corporation makes no representation that the interconnection of its circuits as described herein will not infringe on existing patent rights.

DEMO MANUAL DC1082A

DEMONSTRATION BOARD IMPORTANT NOTICE

Linear Technology Corporation (LTC) provides the enclosed product(s) under the following **AS IS** conditions:

This demonstration board (DEMO BOARD) kit being sold or provided by Linear Technology is intended for use for **ENGINEERING DEVELOPMENT OR EVALUATION PURPOSES ONLY** and is not provided by LTC for commercial use. As such, the DEMO BOARD herein may not be complete in terms of required design-, marketing-, and/or manufacturing-related protective considerations, including but not limited to product safety measures typically found in finished commercial goods. As a prototype, this product does not fall within the scope of the European Union directive on electromagnetic compatibility and therefore may or may not meet the technical requirements of the directive, or other regulations.

If this evaluation kit does not meet the specifications recited in the DEMO BOARD manual the kit may be returned within 30 days from the date of delivery for a full refund. **THE FOREGOING WARRANTY IS THE EXCLUSIVE WARRANTY MADE BY THE SELLER TO BUYER AND IS IN LIEU OF ALL OTHER WARRANTIES, EXPRESSED, IMPLIED, OR STATUTORY, INCLUDING ANY WARRANTY OF MERCHANTABILITY OR FITNESS FOR ANY PARTICULAR PURPOSE. EXCEPT TO THE EXTENT OF THIS INDEMNITY, NEITHER PARTY SHALL BE LIABLE TO THE OTHER FOR ANY INDIRECT, SPECIAL, INCIDENTAL, OR CONSEQUENTIAL DAMAGES.**

The user assumes all responsibility and liability for proper and safe handling of the goods. Further, the user releases LTC from all claims arising from the handling or use of the goods. Due to the open construction of the product, it is the user's responsibility to take any and all appropriate precautions with regard to electrostatic discharge. Also be aware that the products herein may not be regulatory compliant or agency certified (FCC, UL, CE, etc.).

No License is granted under any patent right or other intellectual property whatsoever. **LTC assumes no liability for applications assistance, customer product design, software performance, or infringement of patents or any other intellectual property rights of any kind.**

LTC currently services a variety of customers for products around the world, and therefore this transaction **is not exclusive**.

Please read the DEMO BOARD manual prior to handling the product. Persons handling this product must have electronics training and observe good laboratory practice standards. **Common sense is encouraged.**

This notice contains important safety information about temperatures and voltages. For further safety concerns, please contact a LTC application engineer.

Mailing Address:

Linear Technology
1630 McCarthy Blvd.
Milpitas, CA 95035

Copyright © 2004, Linear Technology Corporation

Mouser Electronics

Authorized Distributor

Click to View Pricing, Inventory, Delivery & Lifecycle Information:

[Analog Devices Inc.:](#)

[DC1082A-F](#) [DC1082A-B](#) [DC1082A-D](#) [DC1082A-A](#) [DC1082A-E](#) [DC1082A-C](#)