

EVALUATION KIT  
AVAILABLE

# 1V, Low-Power, DirectDrive, Stereo Headphone Amplifier with Shutdown

## General Description

The MAX9725A–MAX9725D fixed-gain, stereo headphone amplifiers are ideal for portable equipment where board space is at a premium. The MAX9725E offers the flexibility to adjust the gain with external input and feedback resistors. The MAX9725A–MAX9725E use a unique DirectDrive architecture to produce a ground-referenced output from a single supply, eliminating the need for large DC-blocking capacitors, saving cost, board space, and component height. Fixed gains of -2V/V (MAX9725A), -1.5V/V (MAX9725B), -1V/V (MAX9725C), and -4V/V (MAX9725D) further reduce external component count. The adjustable gain of the MAX9725E DirectDrive headphone amplifier allows for any gain down to -1V/V using external resistors.

The MAX9725 delivers up to 20mW per channel into a 32Ω load and achieves 0.006% THD+N. An 80dB at 1kHz power-supply rejection ratio (PSRR) allows the MAX9725 to operate from noisy digital supplies without an additional linear regulator. The MAX9725 includes ±8kV ESD protection on the headphone output. Comprehensive click-and-pop circuitry suppresses audible clicks and pops at startup and shutdown. A low-power shutdown mode reduces supply current to 0.6μA (typ).

The MAX9725 operates from a single 0.9V to 1.8V supply, allowing the device to be powered directly from a single AA or AAA battery. The MAX9725 consumes only 2.1mA of supply current, provides short-circuit protection, and is specified over the extended -40°C to +85°C temperature range. The MAX9725 is available in a tiny (1.54mm x 2.02mm x 0.6mm) 12-bump chip-scale package (UCSP™) and a 12-pin thin QFN package (4mm x 4mm x 0.8mm).

## Applications

MP3 Players                      Smart Phones  
Cellular Phones                Portable Audio Equipment  
PDAs

## Ordering Information

PART	PIN-PACKAGE	TOP MARK	GAIN (V/V)
MAX9725AEBC+TG45	12 UCSP	+ACK	-2
MAX9725AETC+	12 TQFN-EP*	+AAEW	-2
MAX9725BEBC+TG45	12 UCSP	+ACL	-1.5

Ordering Information continued at end of data sheet.

Note: All devices are specified over the -40°C to +85°C operating temperature range.

+Denotes a lead(Pb)-free/RoHS-compliant package.

T = Tape and reel.

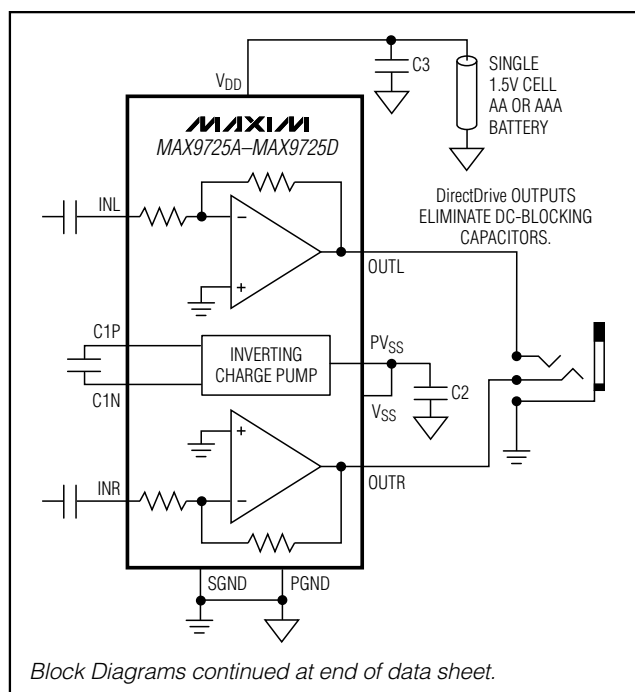
\*EP = Exposed pad.

UCSP is a trademark of Maxim Integrated Products, Inc.

## Features

- ◆ Low Quiescent Current  
2.1mA (MAX9725A–MAX9725D)  
2.3mA (MAX9725E)
- ◆ Single-Cell, 0.9V to 1.8V Single-Supply Operation
- ◆ Fixed Gain Eliminates External Feedback Network  
MAX9725A: -2V/V  
MAX9725B: -1.5V/V  
MAX9725C: -1V/V  
MAX9725D: -4V/V
- ◆ Adjustable Gain with External Input and Feedback Resistors  
MAX9725E: Minimum Stable Gain of -1V/V
- ◆ Ground-Referenced Outputs Eliminate DC Bias
- ◆ No Degradation of Low-Frequency Response Due to Output Capacitors
- ◆ 20mW per Channel into 32Ω
- ◆ Low 0.006% THD+N
- ◆ High PSRR (80dB at 1kHz)
- ◆ Integrated Click-and-Pop Suppression
- ◆ Low-Power Shutdown Control
- ◆ Short-Circuit Protection
- ◆ ±8kV ESD-Protected Amplifier Outputs
- ◆ Available in Space-Saving Packages  
12-Bump UCSP (1.54mm x 2.02mm x 0.6mm)  
12-Pin Thin QFN (4mm x 4mm x 0.8mm)

## Block Diagrams



Pin Configurations appear at end of data sheet.

MAX9725

# 1V, Low-Power, DirectDrive, Stereo Headphone Amplifier with Shutdown

## ABSOLUTE MAXIMUM RATINGS

SGND to PGND .....	-0.3V to +0.3V
V <sub>DD</sub> to SGND or PGND .....	-0.3V to +2V
V <sub>SS</sub> to PV <sub>SS</sub> .....	-0.3V to +0.3V
C1P to PGND.....	-0.3V to (V <sub>DD</sub> + 0.3V)
C1N to PGND.....	(PV <sub>SS</sub> - 0.3V) to +0.3V
V <sub>SS</sub> , PV <sub>SS</sub> to GND .....	+0.3V to -2V
OUTR, OUTL, INR, INL to SGND (MAX9725A–MAX9725D).....	(V <sub>SS</sub> - 0.3V) to (V <sub>DD</sub> + 0.3V)
OUTR, OUTL to SGND (MAX9725E) .....	(V <sub>SS</sub> - 0.3V) to (V <sub>DD</sub> + 0.3V)
INR, INL to SGND (MAX9725E).....	-4V to +4V

$\overline{\text{SHDN}}$ to SGND or PGND .....	-0.3V to +4V
Output Short-Circuit Current .....	Continuous
Continuous Power Dissipation (T <sub>A</sub> = +70°C)	
12-Bump UCSP (derate 6.5mW/°C above +70°C).....	518.8mW
12-Pin Thin QFN (derate 16.9mW/°C above +70°C) ..	1349.1mW
Junction Temperature .....	+150°C
Operating Temperature Range .....	-40°C to +85°C
Storage Temperature Range .....	-65°C to +150°C
Bump Temperature (soldering) Reflow.....	+230°C
Lead Temperature (soldering, 10s) .....	+300°C

Stresses beyond those listed under "Absolute Maximum Ratings" may cause permanent damage to the device. These are stress ratings only, and functional operation of the device at these or any other conditions beyond those indicated in the operational sections of the specifications is not implied. Exposure to absolute maximum rating conditions for extended periods may affect device reliability.

## ELECTRICAL CHARACTERISTICS (MAX9725A–MAX9725D)

(V<sub>DD</sub> = 1.5V, V<sub>PGND</sub> = V<sub>SGND</sub> = 0V, V<sub>SHDN</sub> = 1.5V, V<sub>SS</sub> = V<sub>PVSS</sub>, C1 = C2 = 1μF, C<sub>IN</sub> = 1μF, R<sub>L</sub> = ∞, T<sub>A</sub> = T<sub>MIN</sub> to T<sub>MAX</sub>, unless otherwise noted. Typical values are at T<sub>A</sub> = +25°C.) (See the *Functional Diagrams*.) (Note 1)

PARAMETER	SYMBOL	CONDITIONS	MIN	TYP	MAX	UNITS
Supply Voltage Range	V <sub>DD</sub>	Guaranteed by PSRR test	0.9		1.8	V
Quiescent Supply Current	I <sub>DD</sub>	Both channels active		2.1	3.3	mA
Shutdown Current	I <sub>SHDN</sub>	V <sub>SHDN</sub> = 0V	T <sub>A</sub> = +25°C	0.6	10	μA
			T <sub>A</sub> = -40°C to +85°C		30	
Shutdown to Full Operation	t <sub>ON</sub>			180		μs
$\overline{\text{SHDN}}$ Thresholds	V <sub>IH</sub>	V <sub>DD</sub> = 0.9V to 1.8V	0.7 x V <sub>DD</sub>			V
	V <sub>IL</sub>	V <sub>DD</sub> = 0.9V to 1.8V	0.3 x V <sub>DD</sub>			
$\overline{\text{SHDN}}$ Input Leakage Current	I <sub>LEAK</sub>	V <sub>DD</sub> = 0.9V to 1.8V (Note 2)			±1	μA
<b>CHARGE PUMP</b>						
Oscillator Frequency	f <sub>OSC</sub>		493	580	667	kHz
<b>AMPLIFIERS</b>						
Voltage Gain	A <sub>v</sub>	MAX9725A	-2.04	-2.00	-1.96	V/V
		MAX9725B	-1.53	-1.5	-1.47	
		MAX9725C	-1.02	-1.00	-0.98	
		MAX9725D	-4.08	-4.00	-3.92	
Gain Match	ΔA <sub>v</sub>		±0.5			%
Total Output Offset Voltage	V <sub>OS</sub>	Input AC-coupled, R <sub>L</sub> = 32Ω to GND, T <sub>A</sub> = +25°C	MAX9725A/MAX9725D	±0.3	±1.05	mV
			MAX9725B	±0.45	±1.58	
			MAX9725C	±0.6	±2.1	
Input Resistance	R <sub>IN</sub>		15	25	35	kΩ
Power-Supply Rejection Ratio	PSRR	V <sub>DD</sub> = 0.9V to 1.8V, T <sub>A</sub> = +25°C	60	80		dB
		100mV <sub>p-p</sub> ripple	f <sub>IN</sub> = 1kHz		70	
			f <sub>IN</sub> = 20kHz		62	
Output Power (Note 3)	P <sub>OUT</sub>	V <sub>DD</sub> = 1.5V	R <sub>L</sub> = 32Ω	10	20	mW
			R <sub>L</sub> = 16Ω		25	
		V <sub>DD</sub> = 1.0V, R <sub>L</sub> = 32Ω		7		
		V <sub>DD</sub> = 0.9V, R <sub>L</sub> = 32Ω		6		

# 1V, Low-Power, DirectDrive, Stereo Headphone Amplifier with Shutdown

## ELECTRICAL CHARACTERISTICS (MAX9725A–MAX9725D) (continued)

( $V_{DD} = 1.5V$ ,  $V_{PGND} = V_{SGND} = 0V$ ,  $V_{SHDN} = 1.5V$ ,  $V_{SS} = V_{PVSS}$ ,  $C_1 = C_2 = 1\mu F$ ,  $C_{IN} = 1\mu F$ ,  $R_L = \infty$ ,  $T_A = T_{MIN}$  to  $T_{MAX}$ , unless otherwise noted. Typical values are at  $T_A = +25^\circ C$ .) (See the *Functional Diagrams*.) (Note 1)

PARAMETER	SYMBOL	CONDITIONS	MIN	TYP	MAX	UNITS
Total Harmonic Distortion Plus Noise	THD+N	$R_L = 32\Omega$ , $P_{OUT} = 12mW$ , $f = 1kHz$		0.006		%
		$R_L = 16\Omega$ , $P_{OUT} = 15mW$ , $f = 1kHz$		0.015		
Signal-to-Noise Ratio	SNR	$R_L = 32\Omega$ , $P_{OUT} = 12mW$	BW = 22Hz to 22kHz	89		dB
			A-weighted filter	92		
Slew Rate	SR			0.2		V/ $\mu s$
Maximum Capacitive Load	$C_L$	No sustained oscillations		150		pF
Crosstalk	XTALK	$f_{IN} = 1.0kHz$ , $R_L = 32\Omega$ , $P_{OUT} = 5mW$		100		dB
Click-and-Pop Level	$K_{CP}$	$R_L = 32\Omega$ , peak voltage, A-weighted, 32 samples per second (Note 4)	Into shutdown	72.8		dBV
			Out of shutdown	72.8		
ESD Protection	$V_{ESD}$	Human Body Model (OUTR, OUTL)		$\pm 8$		kV

## ELECTRICAL CHARACTERISTICS (MAX9725E)

( $V_{DD} = 1.5V$ ,  $V_{PGND} = V_{SGND} = 0V$ ,  $V_{SHDN} = 1.5V$ ,  $V_{SS} = V_{PVSS}$ ,  $C_1 = C_2 = 1\mu F$ ,  $C_{IN} = 1\mu F$ ,  $R_L = 32\Omega$ ,  $R_F = 60k\Omega$ ,  $R_{IN} = 10k\Omega$ ,  $T_A = T_{MIN}$  to  $T_{MAX}$ , unless otherwise noted. Typical values are at  $T_A = +25^\circ C$ .) (See the *Functional Diagrams*.) (Note 1)

PARAMETER	SYMBOL	CONDITIONS	MIN	TYP	MAX	UNITS
Supply Voltage Range	$V_{DD}$	Guaranteed by PSRR test	0.9		1.8	V
Quiescent Supply Current	$I_{DD}$	Both channels active		2.3	3.7	mA
Shutdown Current	$I_{SHDN}$	$V_{SHDN} = 0V$	$T_A = +25^\circ C$	0.6	1	$\mu A$
			$T_A = -40^\circ C$ to $+85^\circ C$		10	
Shutdown to Full Operation	$t_{ON}$			180		$\mu s$
SHDN Thresholds	$V_{IH}$	$V_{DD} = 0.9V$ to $1.8V$	$0.7 \times V_{DD}$			V
	$V_{IL}$	$V_{DD} = 0.9V$ to $1.8V$	$0.3 \times V_{DD}$			
SHDN Input Leakage Current	$I_{LEAK}$	$V_{DD} = 0.9V$ to $1.8V$ (Note 2)			$\pm 1$	$\mu A$
<b>CHARGE PUMP</b>						
Oscillator Frequency	$f_{OSC}$		483	592	687	kHz
<b>AMPLIFIERS</b>						
Voltage Gain	$A_V$	(Note 5)	-6.11	-6.07	-6.00	V/V
Minimum Stable Gain	$\Delta A_V$			-1.0		V/V
Total Output Offset Voltage	$V_{OS}$	Input AC-coupled, $R_L = 32\Omega$ to GND, $T_A = +25^\circ C$ (Note 6)		$\pm 0.63$	$\pm 2.1$	mV
Input Resistance	$R_{IN}$		6.3	9.78	14	k $\Omega$
INR, INL Input Leakage Current	$I_{LK}$				$\pm 100$	nA
Maximum Input Parasitic Capacitance	$C_{PAR}$			5		pF
Power-Supply Rejection Ratio	PSRR	$V_{DD} = 0.9V$ to $1.8V$ , $T_A = +25^\circ C$	52.9	67.8		dB
		100mV <sub>P-P</sub> ripple		70		
		(Note 5)	$f_{IN} = 1kHz$		62	

# 1V, Low-Power, DirectDrive, Stereo Headphone Amplifier with Shutdown

## ELECTRICAL CHARACTERISTICS (MAX9725E) (continued)

( $V_{DD} = 1.5V$ ,  $V_{PGND} = V_{SGND} = 0V$ ,  $V_{SHDN} = 1.5V$ ,  $V_{SS} = V_{PVSS}$ ,  $C_1 = C_2 = 1\mu F$ ,  $C_{IN} = 1\mu F$ ,  $R_L = 32\Omega$ ,  $R_F = 60k\Omega$ ,  $R_{IN} = 10k\Omega$ ,  $T_A = T_{MIN}$  to  $T_{MAX}$ , unless otherwise noted. Typical values are at  $T_A = +25^\circ C$ .) (See the *Functional Diagrams*.) (Note 1)

PARAMETER	SYMBOL	CONDITIONS	MIN	TYP	MAX	UNITS
Output Power (Note 3)	$P_{OUT}$	$V_{DD} = 1.5V$	$R_L = 32\Omega$	10	24	mW
			$R_L = 16\Omega$	25		
		$V_{DD} = 1.0V$ , $R_L = 32\Omega$		7		
		$V_{DD} = 0.9V$ , $R_L = 32\Omega$		6		
Total Harmonic Distortion Plus Noise (Note 5)	THD+N	$R_L = 32\Omega$ , $P_{OUT} = 12mW$ , $f = 1kHz$	0.006		%	
		$R_L = 16\Omega$ , $P_{OUT} = 15mW$ , $f = 1kHz$	0.015			
Signal-to-Noise Ratio	SNR	$R_L = 32\Omega$ , $P_{OUT} = 12mW$	$BW = 22Hz$ to $22kHz$	89		dB
			A-weighted filter	92		
Slew Rate	SR		0.3		$V/\mu s$	
Maximum Capacitive Load	$C_L$	No sustained oscillations	150		pF	
Crosstalk	XTALK	$f_{IN} = 1.0kHz$ , $R_L = 32\Omega$ , $P_{OUT} = 5mW$	100		dB	
Click-and-Pop Level	$K_{CP}$	$R_L = 32\Omega$ , peak voltage, A-weighted, 32 samples per second (Note 4)	Into shutdown	72.8		dBV
			Out of shutdown	72.8		
ESD Protection	$V_{ESD}$	Human Body Model (OUTR, OUTL)	$\pm 8$		kV	
Attenuation in Shutdown	ATT(SD)	$V_{SHDN} = 0V$	$R_L = 32\Omega$	-120		dB
			$R_L = 10k\Omega$	-75		

**Note 1:** All specifications are 100% tested at  $T_A = +25^\circ C$ ; temperature limits are guaranteed by design.

**Note 2:** Input leakage current measurements limited by automated test equipment.

**Note 3:**  $f_{IN} = 1kHz$ ,  $T_A = +25^\circ C$ , THD+N < 1%, both channels driven in-phase.

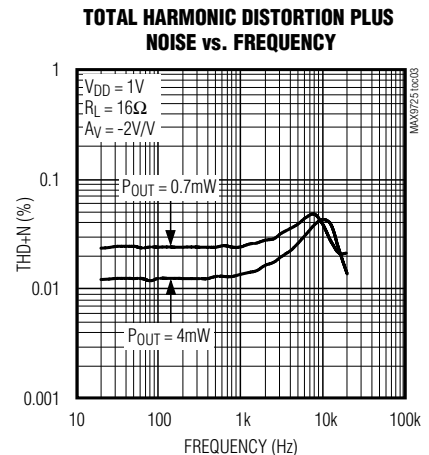
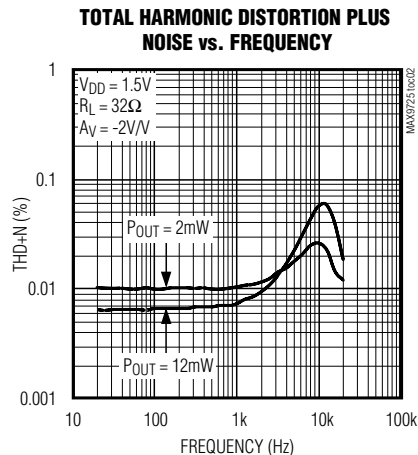
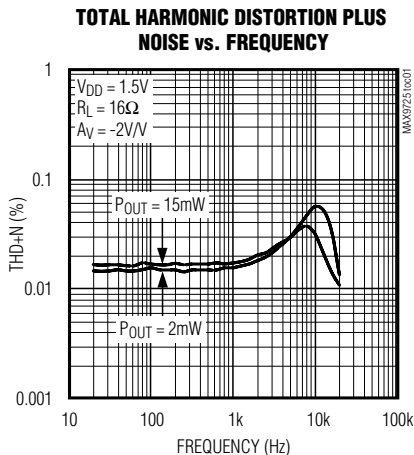
**Note 4:** Testing performed with  $32\Omega$  resistive load connected to outputs. Mode transitions controlled by  $\overline{SHDN}$ .  $K_{CP}$  level calculated as 20 log [peak voltage under normal operation at rated power level / peak voltage during mode transition]. Inputs are AC-grounded.

**Note 5:** Using existing resistors with 1% precision.

**Note 6:**  $R_{IN} = 10\Omega$ ,  $R_F = 10k\Omega$ .

## Typical Operating Characteristics

( $V_{DD} = 1.5V$ ,  $V_{PGND} = V_{SGND} = 0V$ ,  $V_{SHDN} = 1.5V$ ,  $V_{SS} = V_{PVSS}$ ,  $C_1 = C_2 = 1\mu F$ ,  $C_{IN} = 1\mu F$ , THD+N measurement bandwidth = 22Hz to 22kHz,  $T_A = +25^\circ C$ , unless otherwise noted.) (See the *Functional Diagrams*.)



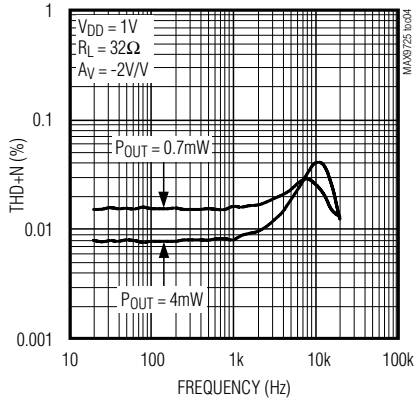
# 1V, Low-Power, DirectDrive, Stereo Headphone Amplifier with Shutdown

MAX9725

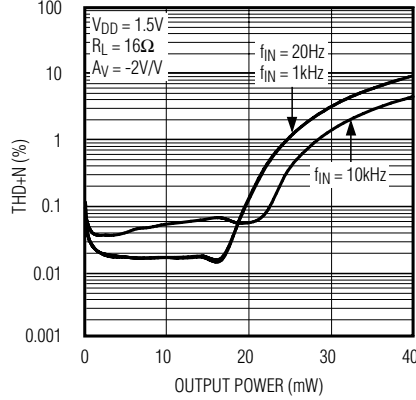
## Typical Operating Characteristics (continued)

( $V_{DD} = 1.5V$ ,  $V_{PGND} = V_{SGND} = 0V$ ,  $V_{SHDN} = 1.5V$ ,  $V_{SS} = V_{PVSS}$ ,  $C_1 = C_2 = 1\mu F$ ,  $C_{IN} = 1\mu F$ , THD+N measurement bandwidth = 22Hz to 22kHz,  $T_A = +25^\circ C$ , unless otherwise noted.) (See the Functional Diagrams.)

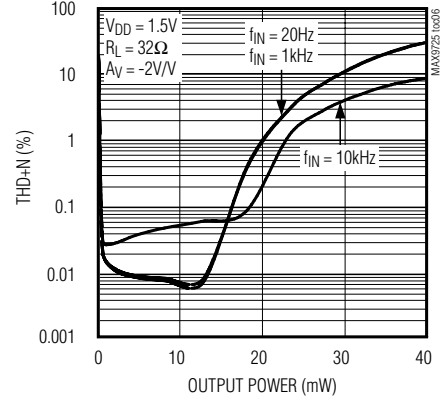
**TOTAL HARMONIC DISTORTION PLUS NOISE vs. FREQUENCY**



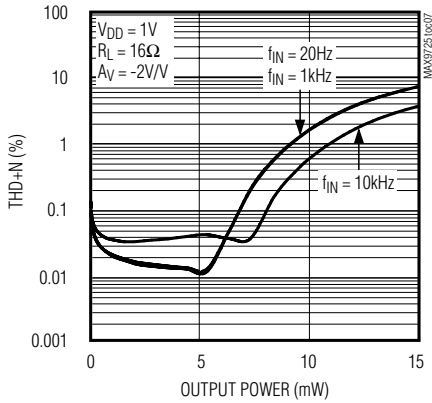
**TOTAL HARMONIC DISTORTION PLUS NOISE vs. OUTPUT POWER**



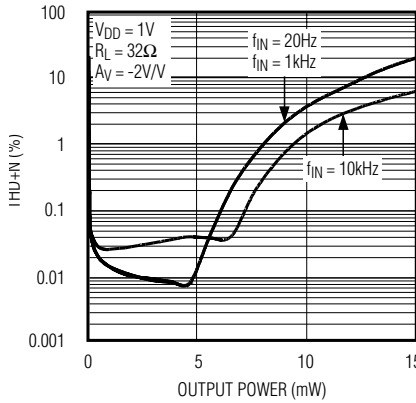
**TOTAL HARMONIC DISTORTION PLUS NOISE vs. OUTPUT POWER**



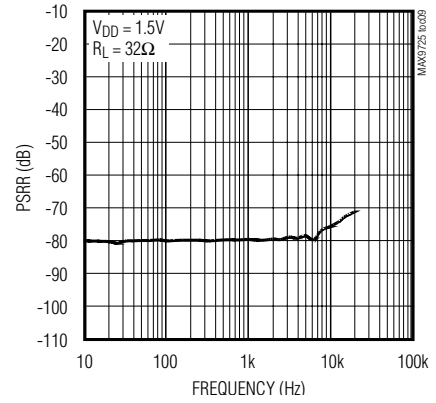
**TOTAL HARMONIC DISTORTION PLUS NOISE vs. OUTPUT POWER**



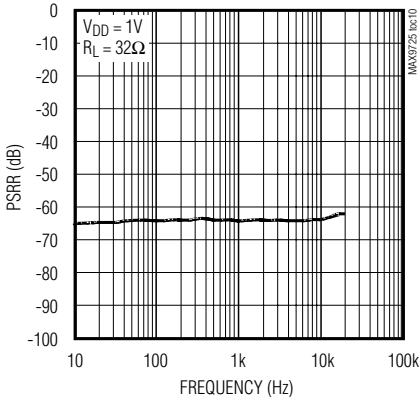
**TOTAL HARMONIC DISTORTION PLUS NOISE vs. OUTPUT POWER**



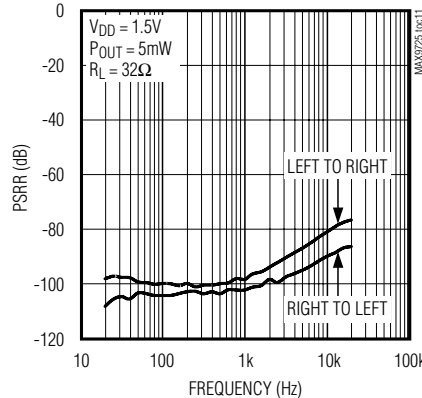
**POWER-SUPPLY REJECTION RATIO vs. FREQUENCY**



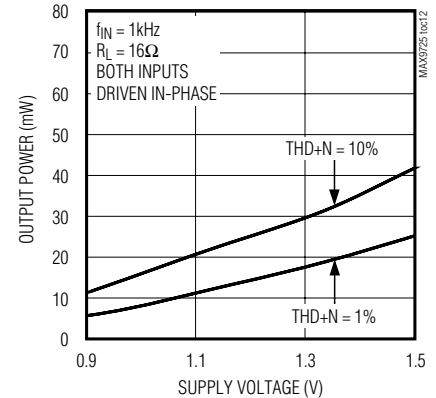
**POWER-SUPPLY REJECTION RATIO vs. FREQUENCY**



**CROSSTALK vs. FREQUENCY**



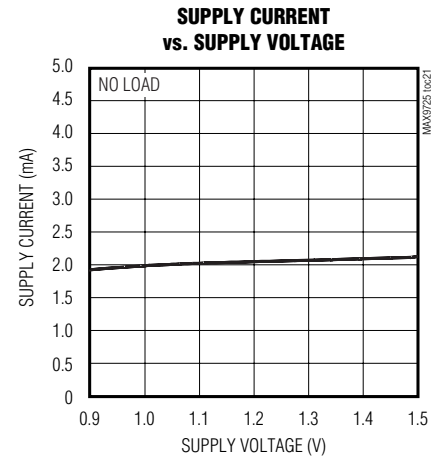
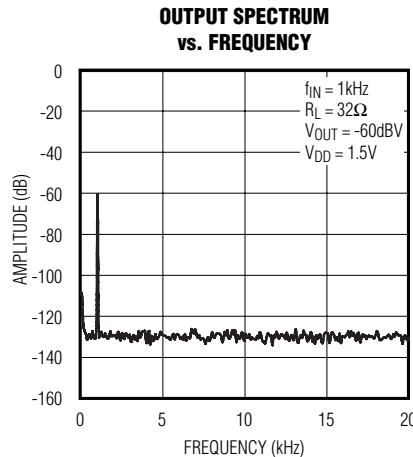
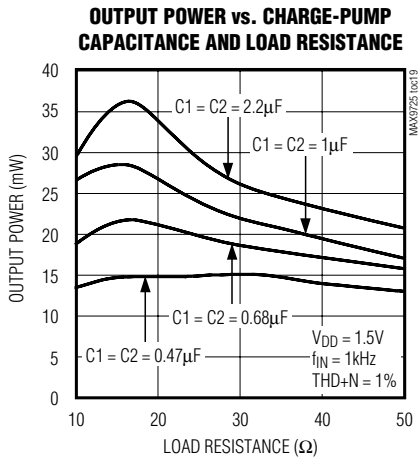
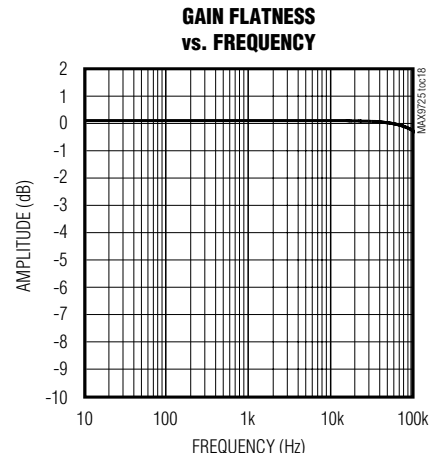
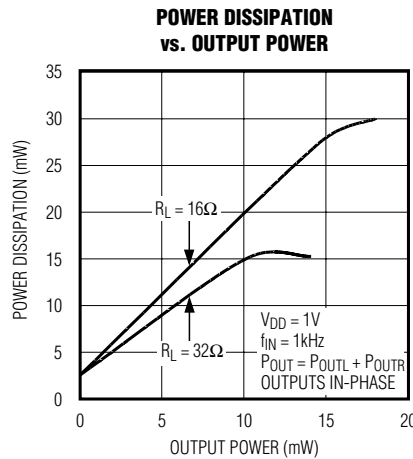
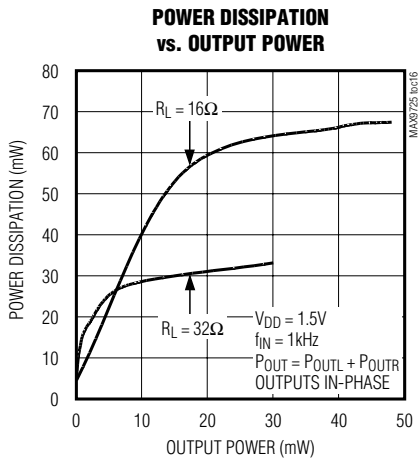
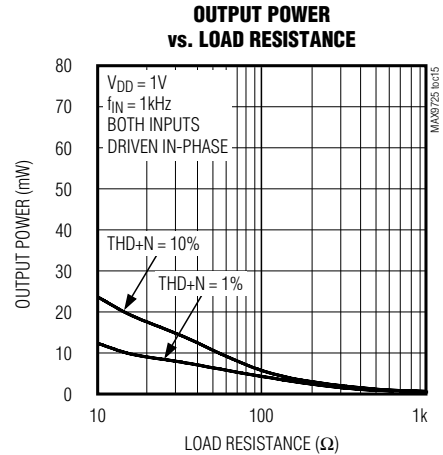
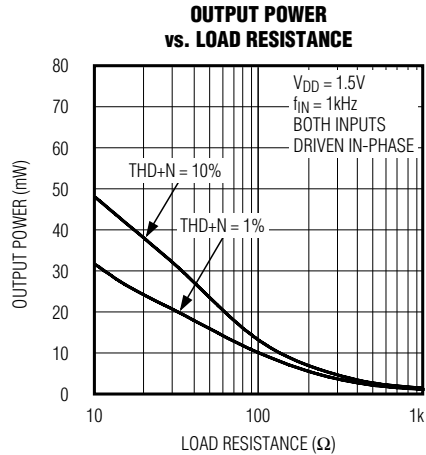
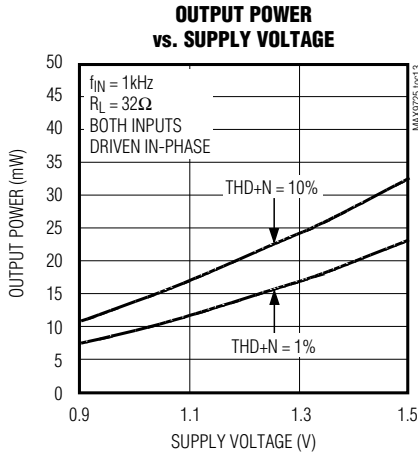
**OUTPUT POWER vs. SUPPLY VOLTAGE**



# 1V, Low-Power, DirectDrive, Stereo Headphone Amplifier with Shutdown

## Typical Operating Characteristics (continued)

( $V_{DD} = 1.5V$ ,  $V_{PGND} = V_{SGND} = 0V$ ,  $V_{SHDN} = 1.5V$ ,  $V_{SS} = V_{PVSS}$ ,  $C1 = C2 = 1\mu F$ ,  $C_{IN} = 1\mu F$ , THD+N measurement bandwidth = 22Hz to 22kHz,  $T_A = +25^\circ C$ , unless otherwise noted.) (See the Functional Diagrams.)

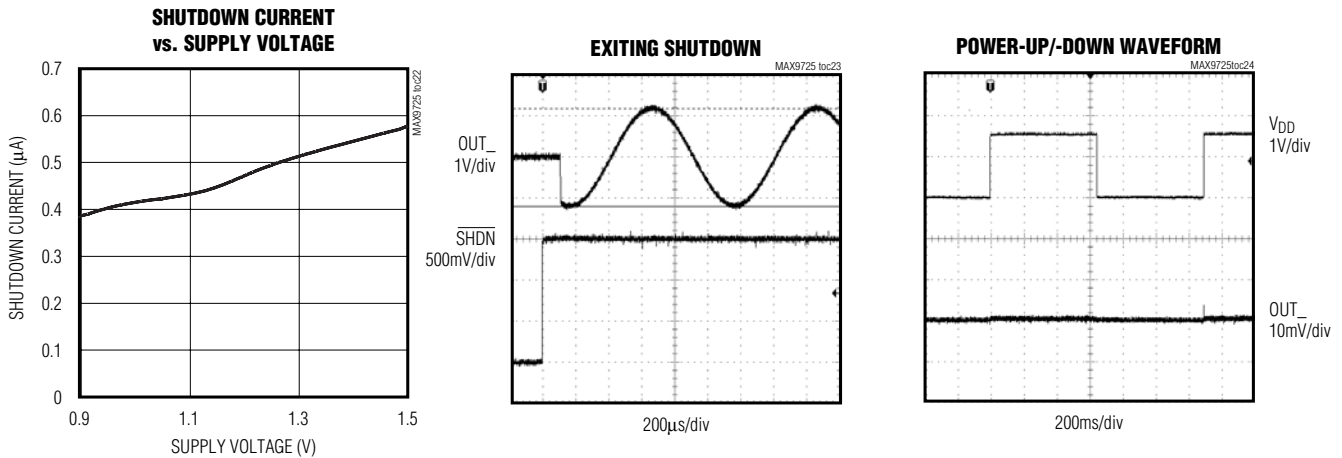


# 1V, Low-Power, DirectDrive, Stereo Headphone Amplifier with Shutdown

MAX9725

## Typical Operating Characteristics (continued)

( $V_{DD} = 1.5V$ ,  $V_{PGND} = V_{SGND} = 0V$ ,  $V_{SHDN} = 1.5V$ ,  $V_{SS} = V_{PVSS}$ ,  $C1 = C2 = 1\mu F$ ,  $C_{IN} = 1\mu F$ , THD+N measurement bandwidth = 22Hz to 22kHz,  $T_A = +25^\circ C$ , unless otherwise noted.) (See the *Functional Diagrams*.)



## Pin Description

PIN	BUMP	NAME	FUNCTION
THIN QFN	UCSP		
1	A1	C1N	Flying Capacitor Negative Terminal. Connect a $1\mu F$ capacitor from C1P to C1N.
2	A2	PVSS	Inverting Charge-Pump Output. Bypass with $1\mu F$ from PVSS to PGND. PVSS must be connected to VSS.
3	A3	INL	Left-Amplifier Inverting Input. Connect input resistor $R_{IN}$ from input capacitor C1N to INL (MAX9725E only).
4	A4	INR	Right-Amplifier Inverting Input. Connect input resistor $R_{IN}$ from input capacitor C1N to INR (MAX9725E only).
5	B4	VSS	Amplifier Negative Power Supply. Must be connected to PVSS.
6	B3	SGND	Signal Ground. SGND must be connected to PGND. SGND is the ground reference for the input and output signal.
7	C4	OUTR	Right-Channel Output. Connect feedback resistor $R_{FB}$ between OUTR and INR (MAX9725E only).
8	C3	OUTL	Left-Channel Output. Connect feedback resistor $R_{FB}$ between OUTL and INL (MAX9725E only).
9	C2	V <sub>DD</sub>	Positive Power-Supply Input. Bypass with a $1\mu F$ capacitor to PGND.
10	C1	C1P	Flying Capacitor Positive Terminal. Connect a $1\mu F$ capacitor from C1P to C1N.
11	B1	PGND	Power Ground. Ground reference for the internal charge pump. PGND must be connected to SGND.
12	B2	$\overline{SHDN}$	Active-Low Shutdown. Connect to V <sub>DD</sub> for normal operation. Pull low to disable the amplifier and charge pump.
EP	—	EP	Exposed Paddle. Internally connected to VSS. Leave paddle unconnected or solder to VSS.



# 1V, Low-Power, DirectDrive, Stereo Headphone Amplifier with Shutdown

## Detailed Description

The MAX9725 stereo headphone driver features Maxim's DirectDrive architecture, eliminating the large output-coupling capacitors required by conventional single-supply headphone drivers. The MAX9725 consists of two 20mW class AB headphone drivers, shutdown control, inverting charge pump, internal gain-setting resistors, and comprehensive click-and-pop suppression circuitry (see the *Functional Diagrams*). A negative power supply (PVSS) is created by inverting the positive supply (VDD). Powering the drivers from VDD and PVSS increases the dynamic range of the drivers to almost twice that of other 1V single-supply drivers. This increase in dynamic range allows for higher output power.

The outputs of the MAX9725 are biased about GND (Figure 1). The benefit of this GND bias is that the driver outputs do not have a DC component, thus large DC-blocking capacitors are unnecessary. Eliminating the DC-blocking capacitors on the output saves board space, system cost, and improves frequency response.

### DirectDrive

Conventional single-supply headphone drivers have their outputs biased about a nominal DC voltage (typically half the supply) for maximum dynamic range. Large coupling capacitors are needed to block the DC bias from the headphones. Without these capacitors, a significant amount of DC current flows to the headphone, resulting in unnecessary power dissipation and possible damage to both headphone and headphone driver.

Maxim's DirectDrive architecture uses a charge pump to create an internal negative supply voltage. This allows the MAX9725 outputs to be biased about GND, increasing the dynamic range while operating from a single supply. A conventional amplifier powered from 1.5V ideally provides 18mW to a 16Ω load. The MAX9725 provides 25mW to a 16Ω load. The DirectDrive architecture eliminates the need for two large (220μF, typ) DC-blocking capacitors on the output. The MAX9725 charge pump requires two small ceramic capacitors, conserving board space, reducing cost, and improving the frequency response of the headphone driver. See the Output Power vs. Charge-Pump Capacitance and Load Resistance graph in the *Typical Operating Characteristics* for details of the possible capacitor sizes.

Previous attempts to eliminate the output-coupling capacitors involved biasing the headphone return (sleeve) to the DC-bias voltage of the headphone amplifiers. This method raises some issues:

- The sleeve is typically grounded to the chassis. Using this biasing approach, the sleeve must be isolated from system ground, complicating product design.
- During an ESD strike, the driver's ESD structures are the only path to system ground. The driver must be able to withstand the full ESD strike.
- When using the headphone jack as a line out to other equipment, the bias voltage on the sleeve may conflict with the ground potential from other equipment, resulting in possible damage to the drivers.

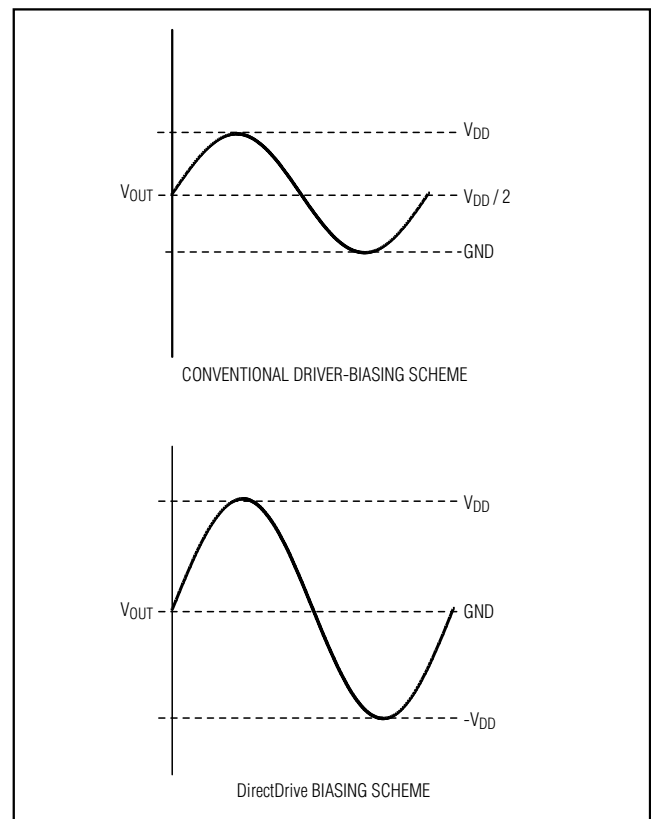


Figure 1. Traditional Driver Output Waveform vs. MAX9725 Output Waveform (Ideal Case)



# 1V, Low-Power, DirectDrive, Stereo Headphone Amplifier with Shutdown

MAX9725

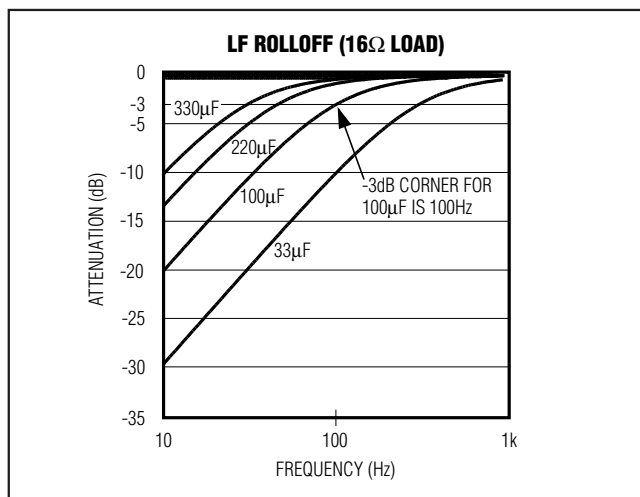


Figure 2. Low-Frequency Attenuation for Common DC-Blocking Capacitor Values

## Low-Frequency Response

Large DC-blocking capacitors limit the amplifier's low-frequency response and can distort the audio signal:

- 1) The impedance of the headphone load and the DC-blocking capacitor forms a highpass filter with the -3dB point set by:

$$f_{-3dB} = \frac{1}{2\pi R_L C_{OUT}}$$

where  $R_L$  is the impedance of the headphone and  $C_{OUT}$  is the value of the DC-blocking capacitor. The highpass filter is required by conventional single-ended, single power-supply headphone drivers to block the midrail DC-bias component of the audio signal from the headphones. The drawback to the filter is that it can attenuate low-frequency signals. Larger values of  $C_{OUT}$  reduce this effect but result in physically larger, more expensive capacitors. Figure 2 shows the relationship between the size of  $C_{OUT}$  and the resulting low-frequency attenuation. Note that the -3dB point for a 16Ω headphone with a 100μF blocking capacitor is 100Hz, well within the normal audio band, resulting in low-frequency attenuation of the reproduced signal.

- 2) The voltage coefficient of the DC-blocking capacitor contributes distortion to the reproduced audio signal as the capacitance value varies when the function of the voltage across the capacitor changes. At low frequencies, the reactance of the capacitor dominates at frequencies below the -3dB point and the

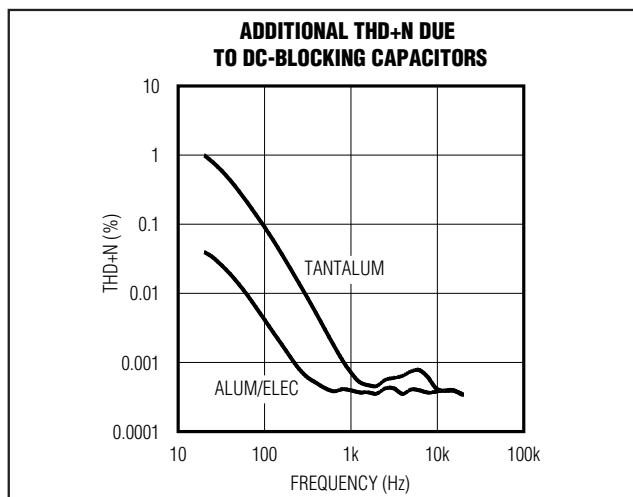


Figure 3. Distortion Contributed By DC-Blocking Capacitors

voltage coefficient appears as frequency-dependent distortion. Figure 3 shows the THD+N introduced by two different capacitor dielectric types. Note that below 100Hz, THD+N increases rapidly.

The combination of low-frequency attenuation and frequency-dependent distortion compromises audio reproduction in portable audio equipment that emphasizes low-frequency effects such as multimedia laptops, as well as MP3, CD, and DVD players. These low-frequency, capacitor-related deficiencies are eliminated by using DirectDrive technology.

## Charge Pump

The MAX9725 features a low-noise charge pump. The 580kHz switching frequency is well beyond the audio range, and does not interfere with the audio signals. The switch drivers feature a controlled switching speed that minimizes noise generated by turn-on and turn-off transients. The di/dt noise caused by the parasitic bond wire and trace inductance is minimized by limiting the turn-on/off speed of the charge pump. Additional high-frequency noise attenuation can be achieved by increasing the size of  $C_2$  (see the *Functional Diagrams*). Extra noise attenuation is not typically required.

## Shutdown

The MAX9725's low-power shutdown mode reduces supply current to 0.6μA. Driving  $\overline{SHDN}$  low disables the amplifiers and charge pump. The driver's output impedance is typically 50kΩ (MAX9725A), 37.5kΩ (MAX9725B), 25kΩ (MAX9725C), 100kΩ (MAX9725D), or  $R_F$  (MAX9725E) when in shutdown mode.

# 1 V, Low-Power, DirectDrive, Stereo Headphone Amplifier with Shutdown

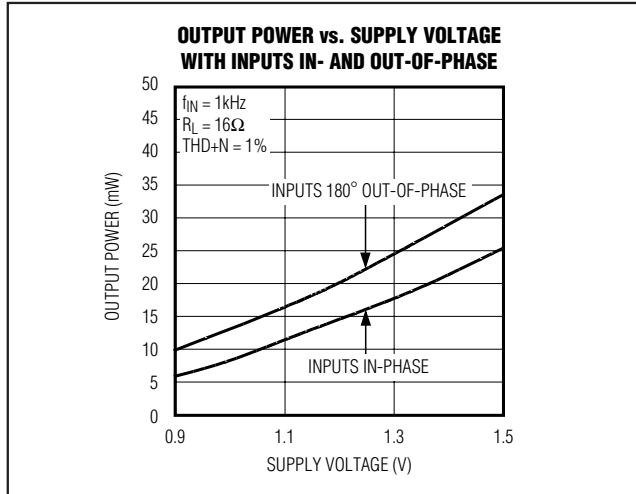


Figure 4. Output Power vs. Supply Voltage with Inputs In-/Out-of-Phase

## Click-and-Pop Suppression

In conventional single-supply audio drivers, the output-coupling capacitor is a major contributor of audible clicks and pops. Upon startup, the driver charges the coupling capacitor to its bias voltage, typically half the supply. Likewise, on shutdown, the capacitor is discharged to GND. This results in a DC shift across the capacitor that appears as an audible transient at the speaker. The MAX9725's DirectDrive technology eliminates the need for output-coupling capacitors.

The MAX9725 also features extensive click-and-pop suppression that eliminates any audible transient sources internal to the device. The Power-Up/Down Waveform in the *Typical Operating Characteristics* shows minimal DC shift and no spurious transients at the output upon startup or shutdown.

In most applications, the output of the preamplifier driving the MAX9725 has a DC bias of typically half the supply. At startup, the input-coupling capacitor is charged to the preamplifier's DC bias voltage through the internal input resistor (25kΩ for MAX9725A-MAX9725D, minimum 10kΩ for MAX9725E) causing an audible click and pop. Delaying the rise of  $\overline{\text{SHDN}}$  4 or 5 time constants, based on  $R_{IN} \times C_{IN}$ , relative to the start-up of the preamplifier eliminates any click and pop caused by the input filter (see the *Functional Diagrams*).

## Applications Information

### Power Dissipation

Linear power amplifiers can dissipate a significant amount of power under normal operating conditions. The maximum power dissipation for each package is given in the *Absolute Maximum Ratings* section under Continuous Power Dissipation or can be calculated by the following equation:

$$P_{\text{DISSPKG(MAX)}} = \frac{T_{\text{J(MAX)}} - T_{\text{A}}}{\theta_{\text{JA}}}$$

where  $T_{\text{J(MAX)}}$  is +150°C,  $T_{\text{A}}$  is the ambient temperature, and  $\theta_{\text{JA}}$  is the reciprocal of the derating factor in °C/W as specified in the *Absolute Maximum Ratings* section. For example,  $\theta_{\text{JA}}$  for the thin QFN package is +59.3°C/W.

The MAX9725 has two power dissipation sources, the charge pump and the two amplifiers. If the power dissipation exceeds the rated package dissipation, reduce  $V_{\text{DD}}$ , increase load impedance, decrease the ambient temperature, or add heatsinking to the device. Large output, supply, and ground traces decrease  $\theta_{\text{JA}}$ , allowing more heat to be transferred from the package to surrounding air.

### Output Power

The MAX9725's output power increases when the left and right audio signals differ in magnitude and/or phase. Figure 4 shows the two extreme cases for in- and out-of-phase input signals. The output power of a typical stereo application lies between the two extremes shown in Figure 4. The MAX9725 is specified to output 20mW per channel when both inputs are in-phase.

### Powering Other Circuits from the Negative Supply

The MAX9725 internally generates a negative supply voltage ( $PV_{\text{SS}}$ ) to provide the ground-referenced output signal. Other devices can be powered from  $PV_{\text{SS}}$  provided the current drawn from the charge pump does not exceed 1mA. Headphone driver output power and THD+N will be adversely affected if more than 1mA is drawn from  $PV_{\text{SS}}$ . Using  $PV_{\text{SS}}$  as an LCD bias is a typical application for the negative supply.

$PV_{\text{SS}}$  is unregulated and proportional to  $V_{\text{DD}}$ . Connect a 1μF capacitor from C1P to C1N for best charge-pump operation.

# 1V, Low-Power, DirectDrive, Stereo Headphone Amplifier with Shutdown

## Component Selection

### Input Filtering

The AC-coupling capacitor ( $C_{IN}$ ) and an internal gain-setting resistor form a highpass filter that removes any DC bias from an input signal (see the *Functional Diagrams*).  $C_{IN}$  allows the MAX9725A–MAX9725D to bias the signal to an optimum DC level. The -3dB point of the highpass filter, assuming zero source impedance, is given by:

$$f_{-3dB} = \frac{1}{2\pi \times R_{IN} \times C_{IN}}$$

Choose  $C_{IN}$  so  $f_{-3dB}$  is well below the lowest frequency of interest.  $R_{IN}$  for the MAX9725A–MAX9725D is 25k $\Omega$  and a minimum of 10k $\Omega$  for the MAX9725E. Setting  $f_{-3dB}$  too high affects the amplifier's low-frequency response. Use capacitors with low-voltage coefficient dielectrics. Film or COG dielectric capacitors are good choices for AC-coupling capacitors. Capacitors with high-voltage coefficients, such as ceramics, can result in increased distortion at low frequencies.

### Charge-Pump Capacitor Selection

Use capacitors with less than 100m $\Omega$  of ESR. Low-ESR ceramic capacitors minimize the output impedance of the charge pump. Capacitors with an X7R dielectric provide the best performance over the extended temperature range. Table 1 lists suggested capacitor manufacturers.

### Flying Capacitor (C1)

The value of C1 affects the charge pump's load regulation and output impedance. Choosing C1 too small degrades the MAX9725's ability to provide sufficient current drive and leads to a loss of output voltage. Increasing the value of C1 improves load regulation and reduces the charge-pump output impedance. See the Output Power vs. Charge-Pump Capacitance and Load Resistance graph in the *Typical Operating Characteristics*.

### Hold Capacitor (C2)

The hold capacitor's value and ESR directly affect the ripple at PVSS. Increasing the value of C2 reduces ripple. Choosing a capacitor with lower ESR reduces ripple and output impedance. Lower capacitance values can be used in systems with low maximum output power levels. See the Output Power vs. Charge-Pump Capacitance and Load Resistance graph in the *Typical Operating Characteristics*.

### Power-Supply Bypass Capacitor (C3)

The power-supply bypass capacitor (C3) lowers the output impedance of the power supply and reduces the impact of the MAX9725's charge-pump switching transients. Bypass VDD to PGND with the same value as C1. Place C3 as close to VDD as possible.

### Layout and Grounding

Proper layout and grounding are essential for optimum performance. Connect PGND and SGND together at a single point on the PC board. Connect PVSS to SVSS and bypass with C2 to PGND. Bypass VDD to PGND with C3. Place capacitors C2 and C3 as close to the MAX9725 as possible. Route PGND, and all traces that carry switching transients, away from SGND and the audio signal path.

The MAX9725 does not require additional heatsinking. The thin QFN package features an exposed paddle that improves thermal efficiency of the package. **Ensure the exposed paddle is electrically isolated from GND and VDD. Connect the exposed paddle to VSS if necessary.**

## UCSP Applications Information

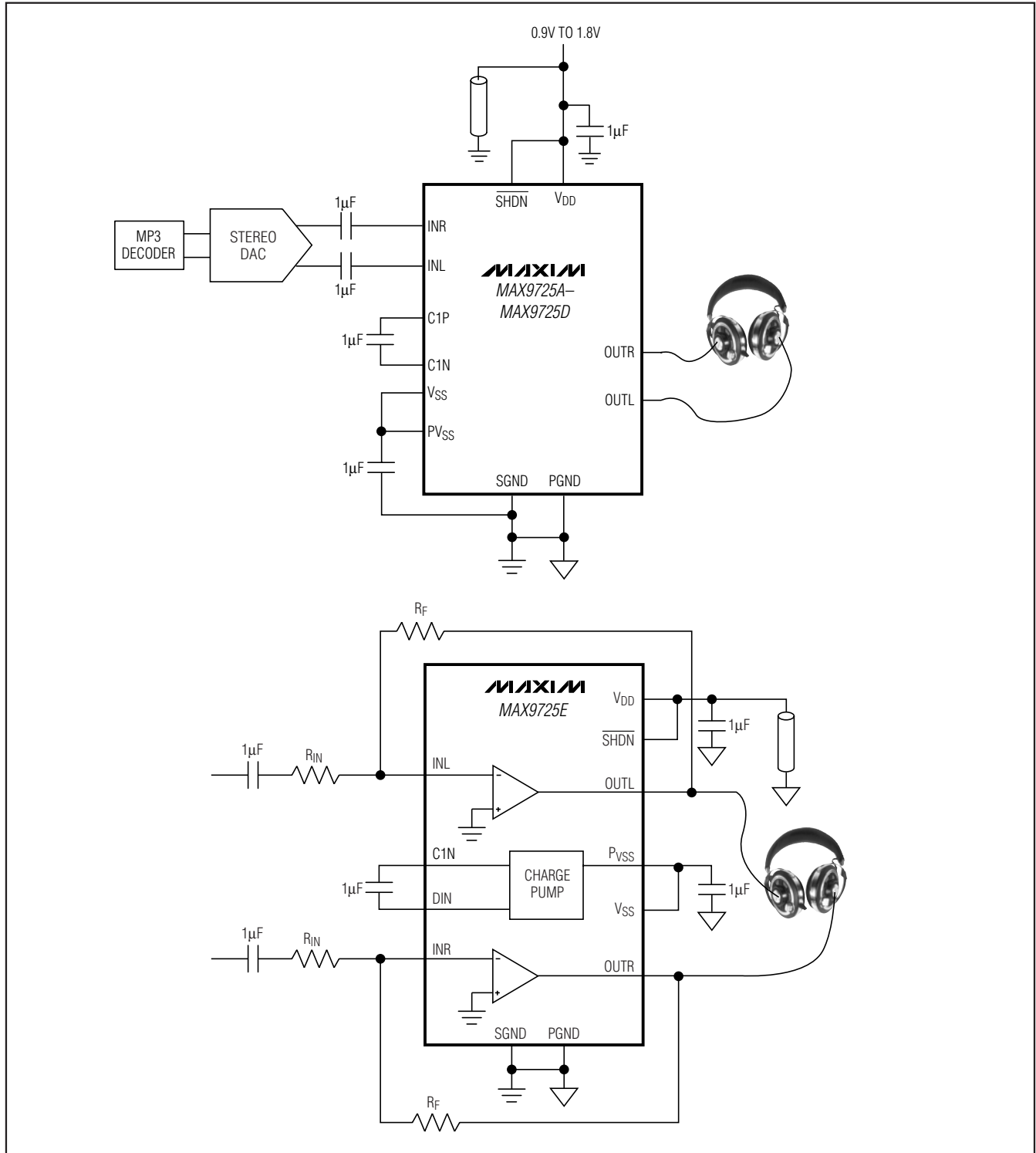
For the latest application details on UCSP construction, dimensions, tape carrier information, printed circuit board techniques, bump-pad layout, and recommended reflow temperature profile, as well as the latest information on reliability testing results, go to Maxim's website at [www.maxim-ic.com/ucsp](http://www.maxim-ic.com/ucsp) for the Application Note 1891: *Wafer-Level Packaging (WLP) and Its Applications*.

**Table 1. Suggested Capacitor Manufacturers**

SUPPLIER	PHONE	FAX	WEBSITE
Murata	770-436-1300	—	<a href="http://www.murata.com">www.murata.com</a>
Taiyo Yuden	800-348-2496	847-925-0899	<a href="http://www.t-yuden.com">www.t-yuden.com</a>
TDK	847-803-6100	847-390-4405	<a href="http://www.component.tdk.com">www.component.tdk.com</a>

# 1 V, Low-Power, DirectDrive, Stereo Headphone Amplifier with Shutdown

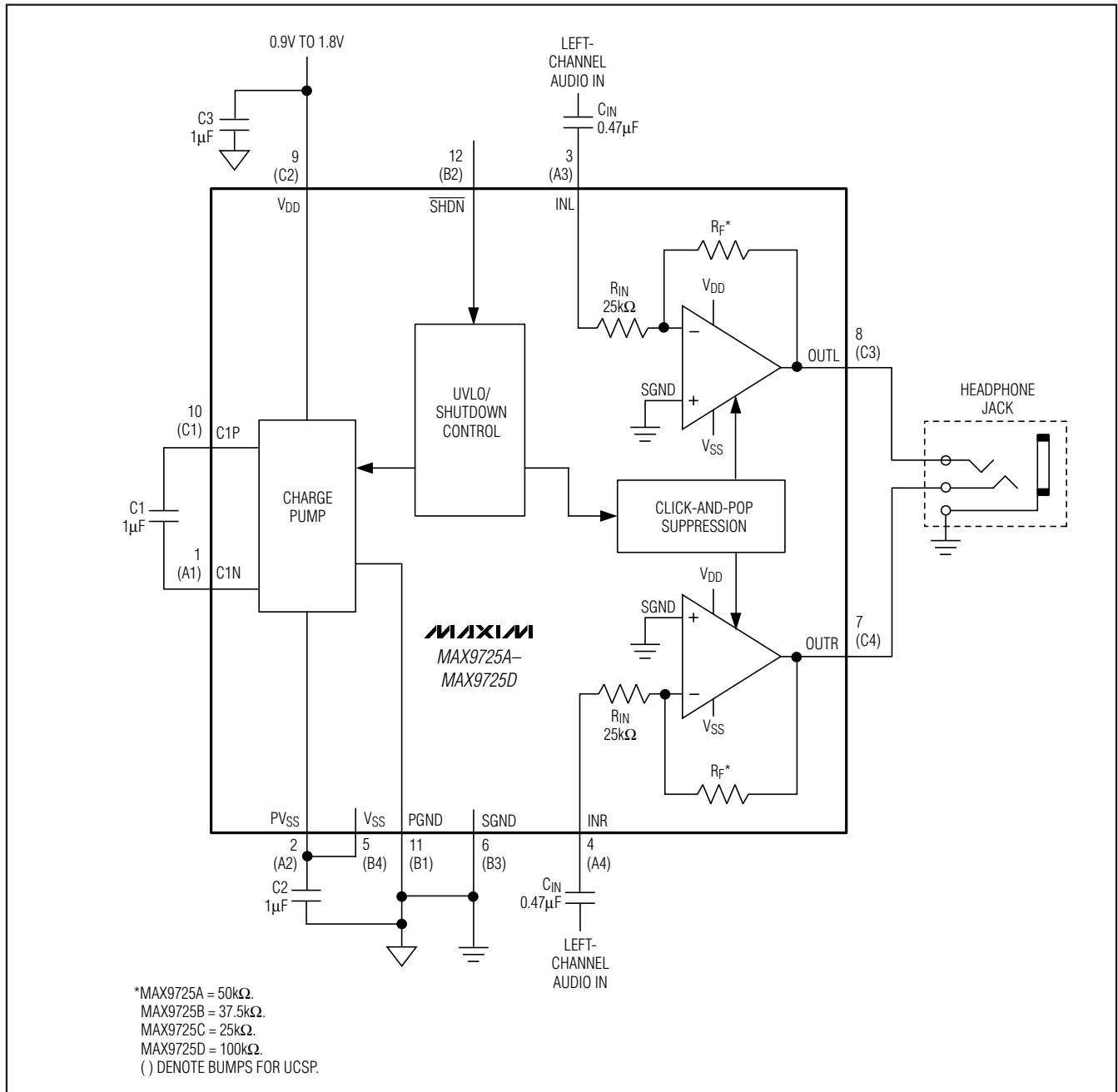
## System Diagrams



# 1V, Low-Power, DirectDrive, Stereo Headphone Amplifier with Shutdown

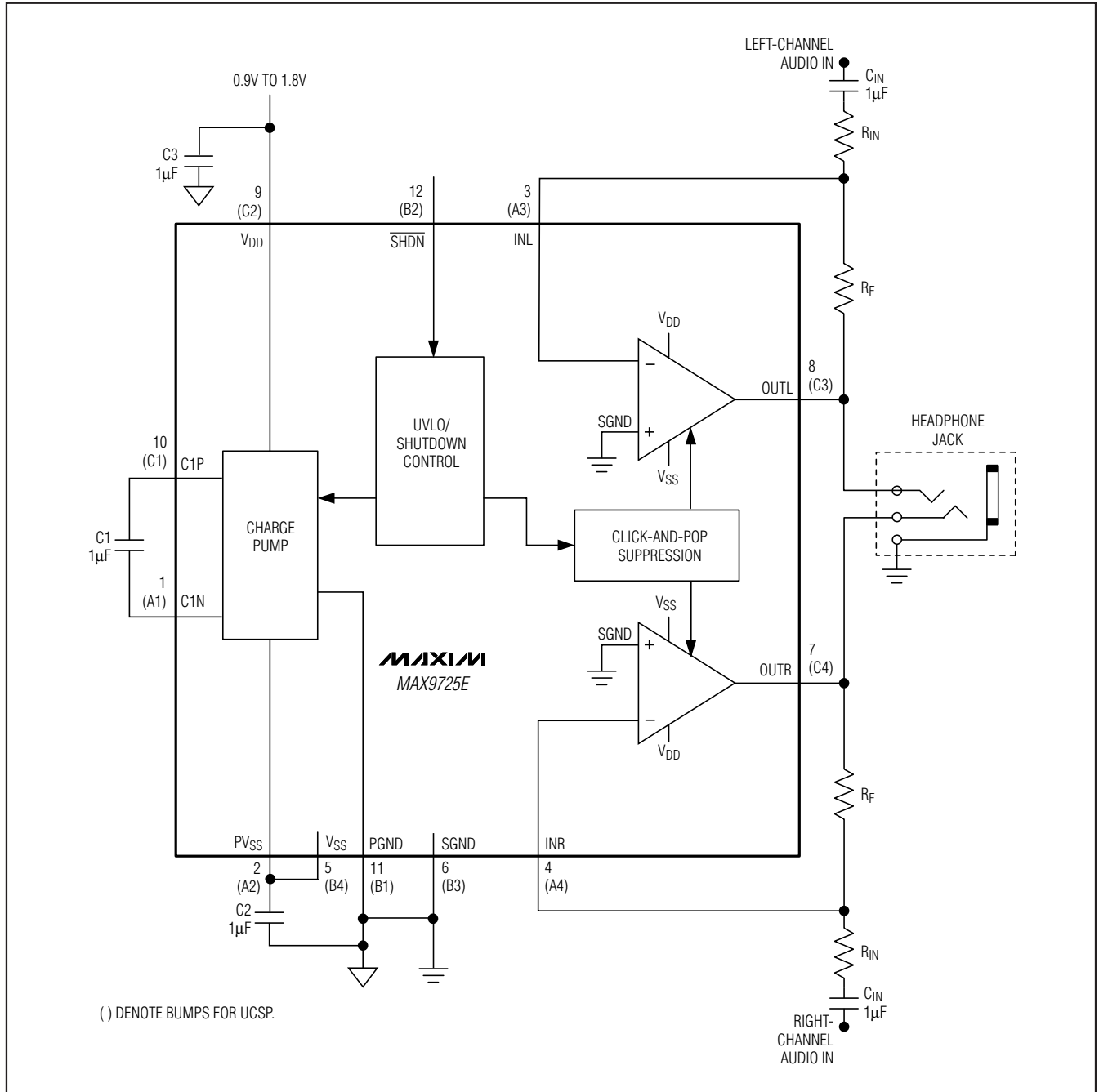
## Functional Diagrams

MAX9725



# 1V, Low-Power, DirectDrive, Stereo Headphone Amplifier with Shutdown

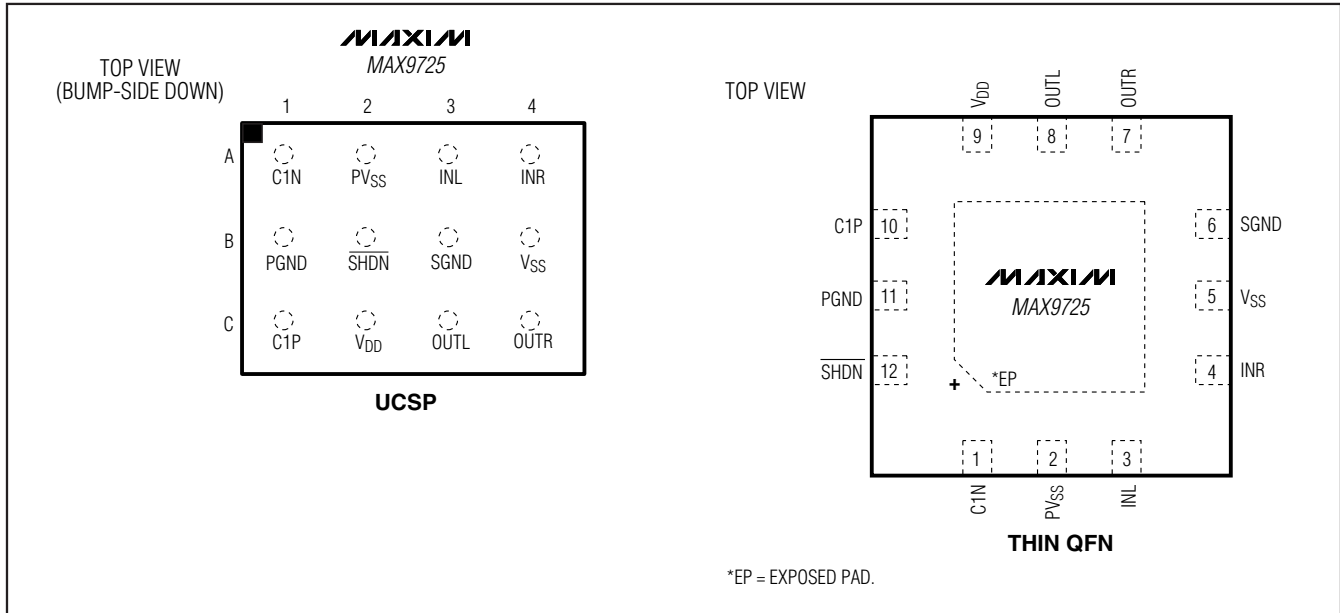
## Functional Diagrams (continued)



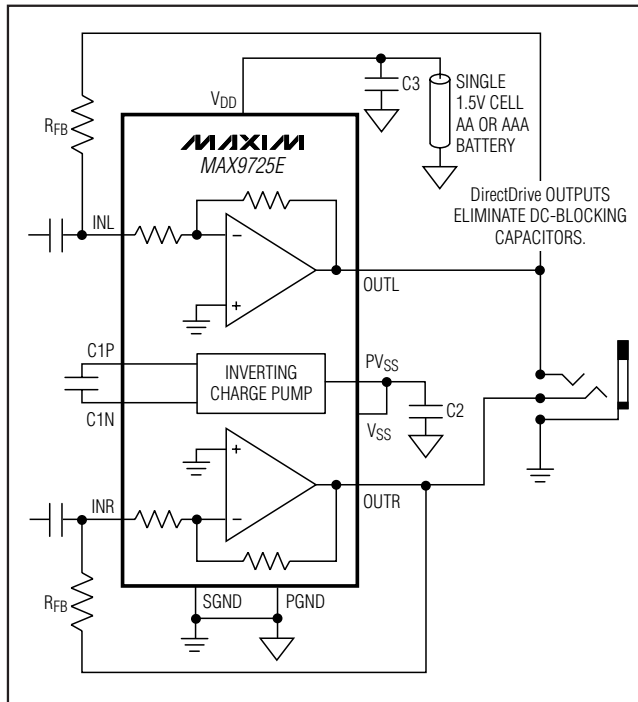
# 1V, Low-Power, DirectDrive, Stereo Headphone Amplifier with Shutdown

## Pin Configurations

**MAX9725**



## Block Diagrams (continued)



## Ordering Information (continued)

PART	PIN-PACKAGE	TOP MARK	GAIN (V/V)
MAX9725BETC+	12 TQFN-EP*	+AAEX	-1.5
MAX9725CEBC+TG45	12 UCSP	+ACM	-1
MAX9725CETC+	12 TQFN-EP*	+AAEY	-1
MAX9725DEBC+TG45	12 UCSP	+ACN	-4
MAX9725DETC+	12 TQFN-EP*	+AAEZ	-4
MAX9725EEBC+TG45	12 UCSP	+AEF	ADJ
MAX9725EETC+**	12 TQFN-EP*	+AAGH	ADJ

**Note:** All devices are specified over the -40°C to +85°C operating temperature range.

+ Denotes a lead(Pb)-free/RoHS-compliant package.

T = Tape and reel.

\*EP = Exposed pad.

\*\*Future product—contact factory for availability.



# 1 V, Low-Power, DirectDrive, Stereo Headphone Amplifier with Shutdown

## Chip Information

PROCESS: BiCMOS

## Package Information

For the latest package outline information and land patterns, go to [www.maxim-ic.com/packages](http://www.maxim-ic.com/packages). Note that a "+", "#", or "-" in the package code indicates RoHS status only. Package drawings may show a different suffix character, but the drawing pertains to the package regardless of RoHS status.

PACKAGE TYPE	PACKAGE CODE	DOCUMENT NO.
12 UCSP	B12-1	<a href="#">21-0104</a>
12 TQFN-EP	T1244-4	<a href="#">21-0139</a>

# 1V, Low-Power, DirectDrive, Stereo Headphone Amplifier with Shutdown

## Revision History

REVISION NUMBER	REVISION DATE	DESCRIPTION	PAGES CHANGED
0	11/04	Initial release	—
1	5/05	Removed future product asterisks for UCSP package, added EC table note	1–3, 13, 14
2	11/07	Added MAX9725E packages, MAX9725E EC table, block diagram, functional diagram, and system diagram. Updated package outlines.	1–3, 6, 8–19
3	8/08	Corrected error in <i>Functional Diagrams</i>	14
4	3/09	Updated <i>Ordering Information</i> , style changes	1, 15

MAX9725

Maxim cannot assume responsibility for use of any circuitry other than circuitry entirely embodied in a Maxim product. No circuit patent licenses are implied. Maxim reserves the right to change the circuitry and specifications without notice at any time.

Maxim Integrated Products, 120 San Gabriel Drive, Sunnyvale, CA 94086 408-737-7600 \_\_\_\_\_ 17

# Mouser Electronics

Authorized Distributor

Click to View Pricing, Inventory, Delivery & Lifecycle Information:

## Maxim Integrated:

[MAX9725CETC+T](#) [MAX9725AEBC+TG45](#) [MAX9725AETC+](#) [MAX9725AETC+T](#) [MAX9725BEBC+TG45](#)  
[MAX9725BETC+](#) [MAX9725BETC+T](#) [MAX9725CEBC+TG45](#) [MAX9725CETC+](#) [MAX9725DEBC+TG45](#)  
[MAX9725DETC+](#) [MAX9725DETC+T](#) [MAX9725EEBC+TG45](#)