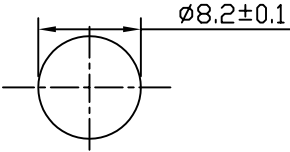
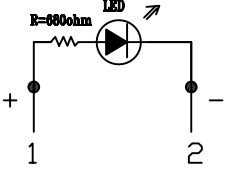
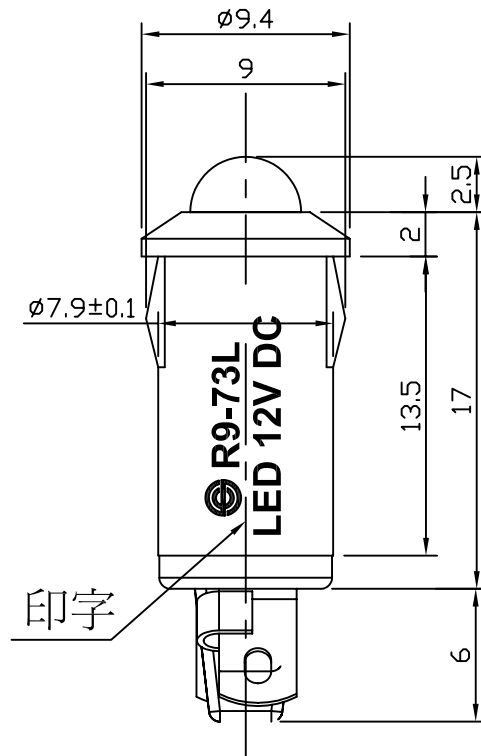
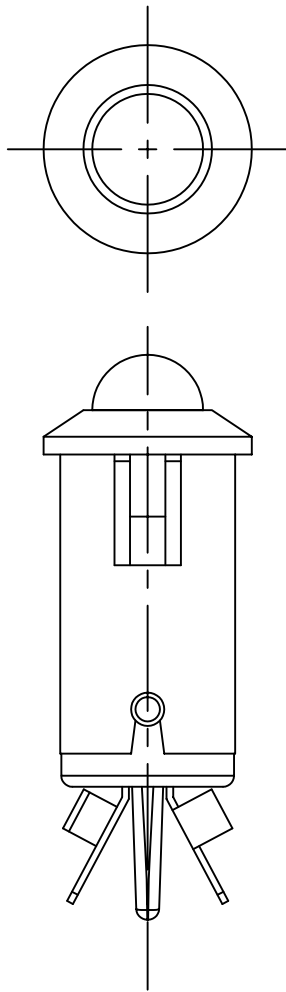


Rating		DC 12V 20mA				Mounting Hole 	Circuit 
Insulation Resistance		DC 500V 100M Ohm Min					
Dielectric Strength		AC 1000V 1Min.					
LED Color	Lens Color	VF	IF	IV(mcd)	View Angle		
Blue	White diffused	2.6V	20mA	180	15°		
Red	Red diffused	2V	20mA	350	25°		
Green	Green trans	2V	20mA	250	15°		
Yellow	Yellow trans	2V	20mA	150	15°		



Remark:

1. Unless otherwise specified ,all tolerances to be ± 0.30

Date	Name	Description				NO
Drawn	Checked	Approved	SCI BOM No.	Model Name	Indicator	
Herbert	李元生	Danny	Customer No.	Model No.	R9-73L-05	REV.
3/10-09	3/10-09	3/13-09	Unit	mm	SHIN CHIN INDUSTRIAL CO., LTD. 0	

Mouser Electronics

Authorized Distributor

Click to View Pricing, Inventory, Delivery & Lifecycle Information:

[Shin Chin:](#)

[R9-73L-05-R-12](#) [R9-73L-05-G-12](#)