

PLEASE CHECK WWW.MOLEX.COM FOR LATEST PART INFORMATION

Part Number: [1210230467](#)

Status: **Active**

Overview: mPm DIN Valve Connectors

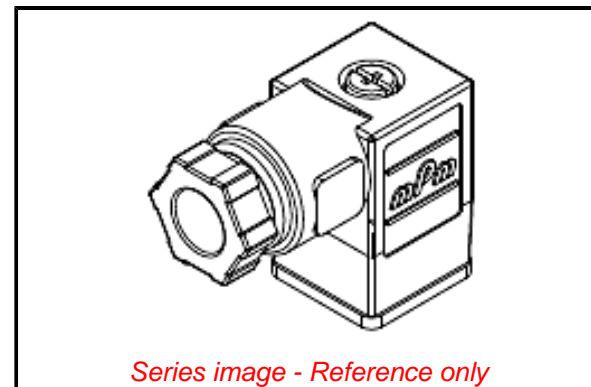
Description: mPm DIN Valve Connector, Form C-Micro 9.4mm, PG7 Internal Threads, 3 Pole Plus Ground Terminal, 250V AC/300V DC, Black, Nitrile Flat Gasket and Screw, Bulk Pack Mounted

Documents:

[Drawing \(PDF\)](#)

[RoHS Certificate of Compliance \(PDF\)](#)

[Packaging Specification PK-121023-C19-001 \(PDF\)](#)



Series image - Reference only

General

Product Family	Field Attachable / Accessories
Series	121023
Form	C - Micro 9.4mm
IP Rating	IP65, IP67
Material - Contact	Brass
Overview	mPm DIN Valve Connectors
Product Name	mPm
Type	Field Attachable Connector
UPC	883906249090

Physical

Cable Diameter	N/A
Coupling Type	Internal Thread
Diagnostics / LEDs	No
Diagnostics Port	No
Gender	N/A
Keyway	None
Material - Connector Body	Polypropylene
Material - Coupling Nut	N/A
Material - Plating Mating	Silver
Net Weight	10.886/g
Orientation	90° Angle
Pitch - Mating Interface	9.40mm
Poles	3
Temperature Range - Operating	-40°C to +90°C
Wire Size AWG	N/A

Electrical

Current - Maximum per Contact	16.0A
Voltage - Maximum	250V AC / 300V DC

Material Info

Engineering Number	C19307N62
--------------------	-----------

Reference - Drawing Numbers

Packaging Specification	PK-121023-C19-001
Sales Drawing	SD-121023-005

EU ELV

Not Relevant

EU RoHS

Compliant with Exemption 6(c)

REACH SVHC

Contained Per - ED/71/2019 (16 July 2019)

Lead

Halogen-Free

Status

Low-Halogen

For more information, please visit [Contact US](#)

China ROHS

China RoHS

ELV

50 Image

RoHS Phthalates

Not Relevant

Not Contained

Search Parts in this Series

[121023 Series](#)