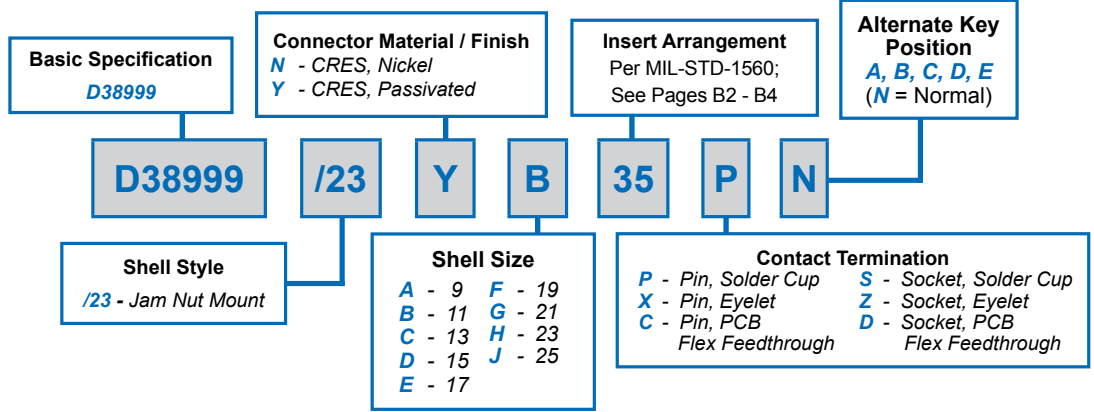


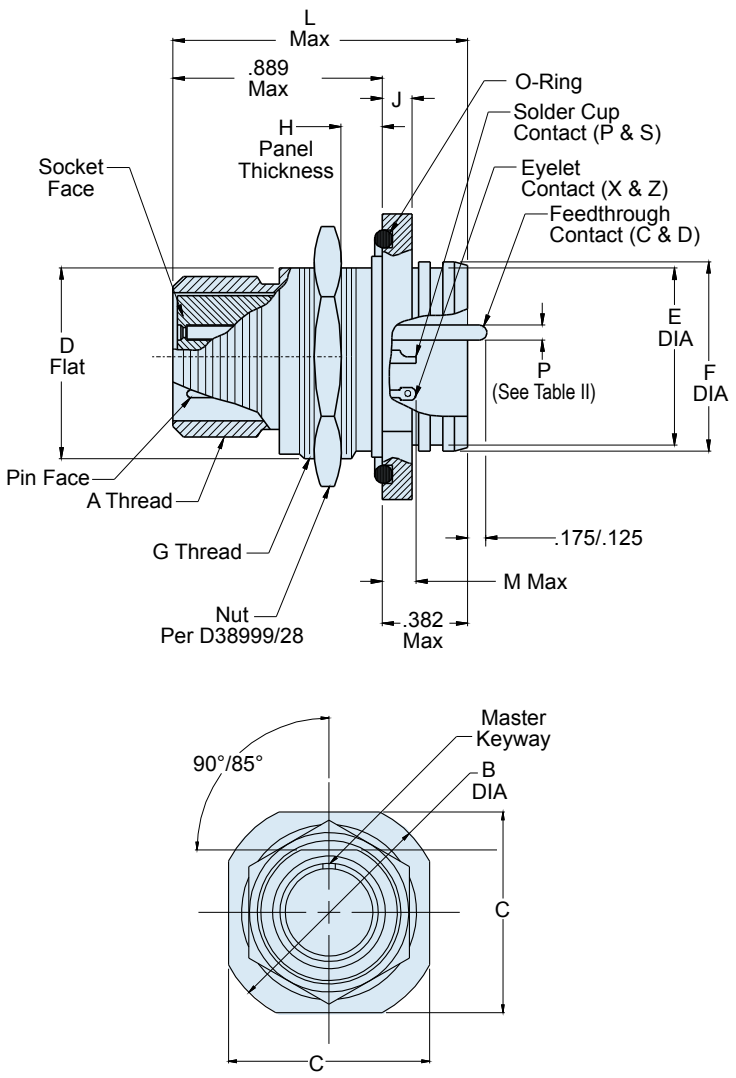


# D38999/23 Jam Nut Mount Hermetic Receptacle MIL-DTL-38999 Series III

### How To Order: MS



B



**TABLE II: CONTACT SIZE**

PRINTED CIRCUIT TAIL CONFIGURATIONS  
CONTACT STYLE C AND D

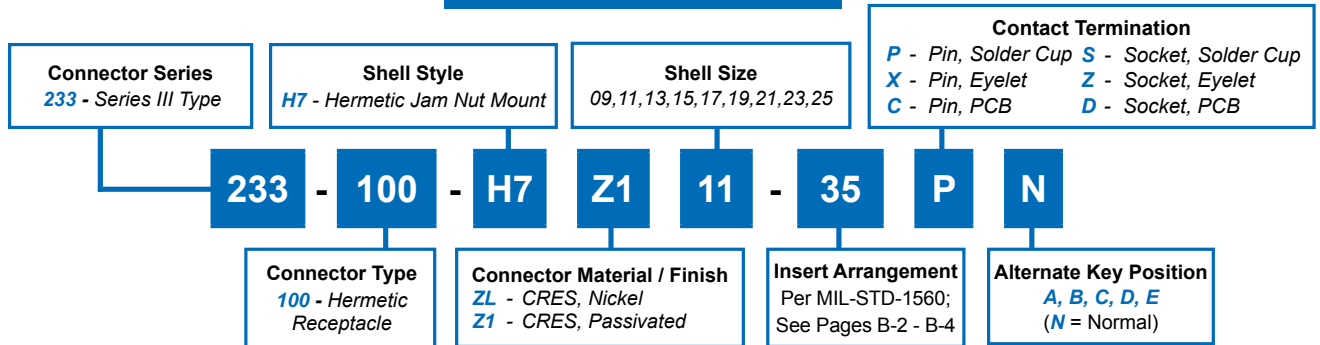
Contact Size	ø P
22D	.011 (0.28)
	.015 (0.38)
20	.024 (0.61)
	.028 (0.71)
16	.0635 (1.61)
	.0615 (1.56)
12	.095 (2.41)
	.093 (2.36)

# D38999/23 Jam Nut Mount Hermetic Receptacle MIL-DTL-38999 Series III



D38999 QPL  
Hermetics

## How To Order: Commercial



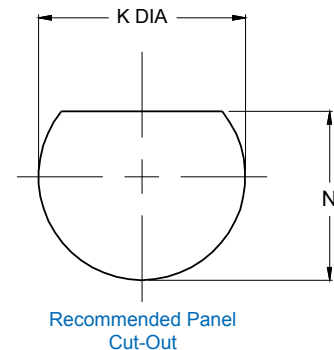
**B**

**TABLE I: CONNECTOR DIMENSIONS**

SHELL SIZE CODE	SHELL SIZE	A THREAD -0.1P-0.03L- TS	B DIA	C A/F ±.015(0.4)	D FLAT ±.005(0.1)	E DIA ±.012(0.3)	F DIA	G THREAD ISO METRIC	H ±.032(0.8)
A	9/09	0.625	1.200(30.5) 1.178(29.9)	1.063(27.0)	.650(16.5)	.603(15.3)	.653(16.6) .642(16.3)	M17 X 1.0-6g	.094(2.4)
B	11	0.750	1.385(35.2) 1.363(34.6)	1.252(31.8)	.750(19.1)	.725(18.4)	.775(19.7) .764(19.4)	M20 X 1.0-6g	.094(2.4)
C	13	0.875	1.511(38.4) 1.489(37.8)	1.374(34.9)	.937(23.8)	.851(21.6)	.905(23.0) .894(22.7)	M25 X 1.0-6g	.094(2.4)
D	15	1.000	1.637(41.6) 1.615(41.0)	1.500(38.1)	1.061(26.9)	.977(24.8)	1.031(26.2) 1.020(25.9)	M28 X 1.0-6g	.094(2.4)
E	17	1.187	1.763(44.8) 1.741(44.2)	1.626(41.3)	1.186(30.1)	1.103(28.0)	1.153(29.3) 1.142(29.0)	M32 X 1.0-6g	.094(2.4)
F	19	1.250	1.948(49.5) 1.926(48.9)	1.811(46.0)	1.311(33.3)	1.229(31.2)	1.278(32.5) 1.268(32.2)	M35 X 1.0-6g	.094(2.4)
G	21	1.375	2.074(52.7) 2.051(52.1)	1.937(49.2)	1.436(36.5)	1.351(34.3)	1.405(35.7) 1.394(35.4)	M38 X 1.0-6g	.094(2.4)
H	23	1.500	2.200(55.9) 2.177(55.3)	2.063(52.4)	1.561(39.6)	1.477(37.5)	1.531(38.9) 1.520(38.6)	M41 X 1.0-6g	.094(2.4)
J	25	1.625	2.322(59.0) 2.300(58.4)	2.189(55.6)	1.686(42.8)	1.603(40.7)	1.653(42.0) 1.642(41.7)	M44 X 1.0-6g	.094(2.4)

**TABLE I: (Continued) CONNECTOR DIMENSIONS**

J ±.008(0.2)	K DIA ±.005(0.1)	L MAX	M MAX		N ±.005(0.1)
			P&X	S&Z	
.106(2.7)	.705(17.9)	1.149(29.2)	.208(5.3)	.232(5.9)	.665(16.9)
.106(2.7)	.827(21.0)	1.149(29.2)	.208(5.3)	.232(5.9)	.764(19.4)
.106(2.7)	1.012(25.7)	1.153(29.3)	.200(5.1)	.224(5.7)	.950(24.1)
.106(2.7)	1.139(28.9)	1.153(29.3)	.200(5.1)	.224(5.7)	1.079(27.4)
.106(2.7)	1.266(32.2)	1.153(29.3)	.200(5.1)	.224(5.7)	1.203(30.6)
.138(3.5)	1.389(35.3)	1.185(30.1)	.200(5.1)	.224(5.7)	1.328(33.7)
.138(3.5)	1.512(38.4)	1.185(30.1)	.200(5.1)	.224(5.7)	1.454(36.9)
.138(3.5)	1.639(41.6)	1.185(30.1)	.200(5.1)	.224(5.7)	1.575(40.0)
.138(3.5)	1.764(44.8)	1.185(30.1)	.200(5.1)	.224(5.7)	1.704(43.3)



# Mouser Electronics

Authorized Distributor

Click to View Pricing, Inventory, Delivery & Lifecycle Information:

## Glenair:

[D38999/23NF35PN](#) [D38999/23NA35PA](#) [D38999/23NA35PB](#) [D38999/23NA98PN](#) [D38999/23NB98PN](#)  
[D38999/23NB99PB](#) [D38999/23NB99PN](#) [D38999/23NC35PA](#) [D38999/23NC35PB](#) [D38999/23NC35PC](#)  
[D38999/23NC4PN](#) [D38999/23ND19PA](#) [D38999/23ND19PN](#) [D38999/23ND35PB](#) [D38999/23ND5PN](#)  
[D38999/23NE26PN](#) [D38999/23NE35PN](#) [D38999/23NE6PN](#) [D38999/23NE99PN](#) [D38999/23NF32PN](#)  
[D38999/23NF35PA](#) [D38999/23NG11PA](#) [D38999/23NG11PB](#) [D38999/23NG11PC](#) [D38999/23NG16PN](#)  
[D38999/23NH21SN](#) [D38999/23NH35PA](#) [D38999/23NH35PN](#) [D38999/23NH55PN](#) [D38999/23NJ19PN](#)  
[D38999/23NJ35PN](#) [D38999/23NJ4PN](#) [D38999/23YC35SB](#) [233-100-H7Z111-35PB](#) [233-100-H7Z113-35PB](#) [233-100-](#)  
[H7Z113-35PC](#) [233-100-H7Z113-35PN](#) [233-100-H7Z113-35SB](#) [233-100-H7Z113-98PN](#) [233-100-H7Z115-15PN](#) [233-](#)  
[100-H7Z115-18PN](#) [233-100-H7Z115-35PB](#) [233-100-H7Z115-35PD](#) [233-100-H7Z115-97PN](#) [233-100-H7Z117-26PN](#)  
[233-100-H7Z117-35PN](#) [233-100-H7Z117-35SN](#) [233-100-H7Z119-11PA](#) [233-100-H7Z119-11PN](#) [233-100-H7Z119-](#)  
[32PA](#) [233-100-H7Z119-32PD](#) [233-100-H7Z121-11PN](#) [233-100-H7Z121-35PN](#) [233-100-H7Z121-39PN](#) [233-100-](#)  
[H7Z121-41PA](#) [233-100-H7Z121-41PB](#) [233-100-H7Z121-41PC](#) [233-100-H7Z121-41PE](#) [233-100-H7Z123-21PN](#) [233-](#)  
[100-H7Z123-35PN](#) [233-100-H7Z123-55PN](#) [233-100-H7Z125-19PN](#) [233-100-H7Z125-19SN](#) [233-100-H7Z125-29PA](#)  
[233-100-H7Z125-29PN](#) [233-100-H7Z125-35PA](#) [233-100-H7Z125-35PB](#) [233-100-H7Z125-35PD](#) [233-100-H7Z125-](#)  
[35PN](#) [233-100-H7Z125-61PA](#) [233-100-H7Z125-61PN](#) [233-100-H7ZL11-35PN](#) [233-100-H7ZL11-99PN](#) [233-100-](#)  
[H7ZL13-35PB](#) [233-100-H7ZL13-98PN](#) [233-100-H7ZL15-18PN](#) [233-100-H7ZL15-19PA](#) [233-100-H7ZL15-19PN](#) [233-](#)  
[100-H7ZL15-35PA](#) [233-100-H7ZL15-35PN](#) [233-100-H7ZL15-97PA](#) [233-100-H7ZL15-97PN](#) [233-100-H7ZL17-26PN](#)  
[233-100-H7ZL17-35PA](#) [233-100-H7ZL17-35PN](#) [233-100-H7ZL17-99PN](#) [233-100-H7ZL19-11PN](#) [233-100-H7ZL19-](#)  
[32PA](#) [233-100-H7ZL19-35PA](#) [233-100-H7ZL19-35PN](#) [233-100-H7ZL21-11PA](#) [233-100-H7ZL21-11PN](#) [233-100-](#)  
[H7ZL21-16PN](#) [233-100-H7ZL21-39PN](#) [233-100-H7ZL21-41PN](#) [233-100-H7ZL23-35PA](#) [233-100-H7ZL23-35PN](#) [233-](#)  
[100-H7ZL23-55PN](#) [233-100-H7ZL25-19PN](#) [233-100-H7ZL25-35PN](#)