

# DF-G3 Long Range Expert™ Dual Display Fiber Amplifier

Instruction Manual

Original Instructions  
187436 Rev. G  
10 September 2021  
© Banner Engineering Corp. All rights reserved



187436

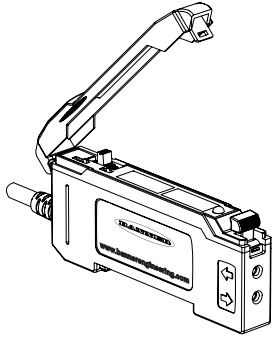
# Contents

<b>1 Product Description</b>	<b>3</b>
1.1 Models	3
1.2 Overview	4
1.3 Top Panel Interface	4
<b>2 Installation Instructions</b>	<b>6</b>
2.1 Mounting Instructions	6
2.2 Installing the Fibers in a DF-Gx Sensor	6
2.3 Fiber Adapters	7
2.4 Wiring Diagrams	7
<b>3 Operating Instructions</b>	<b>9</b>
3.1 Run Mode	9
3.2 Program Mode	10
3.2.1 Output Selection	11
3.2.2 TEACH Selection	12
3.2.3 Response Speed	12
3.2.4 Offset Percent	12
3.2.5 Auto Thresholds	12
3.2.6 Delays/Timers	13
3.2.7 Sensitivity Selection	13
3.2.8 Input Wire Function	13
3.2.9 Display Readout	13
3.2.10 Gain Selection	14
3.2.11 Factory Defaults	14
3.3 Remote Input	14
3.4 Sync Master/Slave	15
3.5 Adjust Mode	16
3.5.1 Two-Point TEACH	16
3.5.2 Dynamic TEACH	17
3.5.3 Window SET	19
3.5.4 Light SET	21
3.5.5 Dark SET	22
3.5.6 Calibration SET	24
3.6 Troubleshooting	25
3.6.1 Manual Adjustments Disabled	25
3.6.2 Percent Minimum Difference after TEACH	25
3.6.3 Percent Offset after SET	25
3.6.4 Threshold Alert or Threshold Error	26
<b>4 Specifications</b>	<b>27</b>
4.1 Excess Gain Curves	29
4.2 Beam Patterns	31
4.3 Dimensions	33
<b>5 Accessories</b>	<b>34</b>
5.1 Quick-Disconnect Cordsets—Single Output Models	34
5.2 Quick-Disconnect Cordsets—Dual Output Models	35
5.3 Banner Engineering Corp. Limited Warranty	37

# 1 Product Description

Advanced sensor with dual digital displays for use with plastic and glass fiber optic assemblies; single or dual discrete output models are available.

- World-class long-range sensing capability, more than 6 m (20 ft) with opposed mode fibers
- Models with high visibility red, extreme high-power infrared and water-detecting long infrared sensing beams available
- Cross-talk avoidance function allows seven inspections in dense sensing point applications
- Energy efficient light resistance enables stable detection in industrial lighting environments
- High power amplifier with small core fibers enables precise position sensing of small components



- Easy to read dual digital displays show both signal level and threshold simultaneously
- Lever action fiber clamp provides stable, reliable, and trouble-free fiber clamping
- Simple user interface ensures easy sensor set-up and programming via displays and switches/buttons or remote input teach wire
- *Expert* TEACH and SET methods ensure optimal gain and threshold for all applications, especially for high speed or low contrast applications
- User has full control over all operating parameters: threshold, Light Operate or Dark Operate, output timing functions, gain level, and response speed
- Thermally stable electronics shorten start-up time and maintain signal stability during operation
- ECO (economy) display mode reduces amplifier power consumption by 25%
- Sleek 10 mm wide housing mounts to 35 mm DIN rail



**WARNING:**

- **Do not use this device for personnel protection**
- Using this device for personnel protection could result in serious injury or death.
- This device does not include the self-checking redundant circuitry necessary to allow its use in personnel safety applications. A device failure or malfunction can cause either an energized (on) or de-energized (off) output condition.

## 1.1 Models

Model	Sensing Beam Color	Reference Sensing Range <sup>1</sup>	Outputs	Connector <sup>2</sup>
DF-G3-NS-2M	Visible Red	3000 mm	Single NPN	2 m (6.5 ft) cable, 4-wire
DF-G3-PS-2M			Single PNP	
DF-G3-ND-2M			Dual Independent NPN	2 m (6.5 ft) cable, 5-wire
DF-G3-PD-2M			Dual Independent PNP	
DF-G3IR-NS-2M	Infrared, 850 nm	6000 mm	Single NPN	2 m (6.5 ft) cable, 4-wire
DF-G3IR-PS-2M			Single PNP	
DF-G3IR-ND-2M			Dual Independent NPN	2 m (6.5 ft) cable, 5-wire
DF-G3IR-PD-2M			Dual Independent PNP	
<i>Water Detection Models</i>				
DF-G3LIR-NS-2M	Long infrared, 1450 nm	900 mm	Single NPN	2 m (6.5 ft) cable, 4-wire
DF-G3LIR-PS-2M			Single PNP	

<sup>1</sup> Excess gain = 1 (high sensitivity), opposed mode sensing. PIT46U plastic fiber used for visible LED models, IT.83.3ST5M6 glass fiber used for IR models.

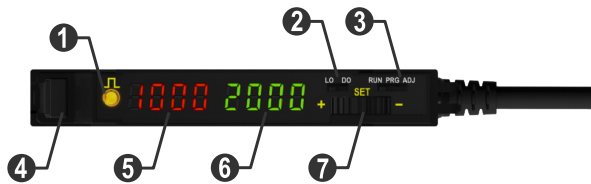
<sup>2</sup> Connector options:

- A model with a QD connector requires a mating cordset (see [Quick-Disconnect Cordsets—Single Output Models](#) on p. 34)
- For 9 m (29.5 ft) cable, change the suffix 2M to 9M in the 2 m model number (DF-G3-NS-9M)
- For 150 mm (6 in) PVC cable with a M8/Pico-style QD model, change the suffix 2M to Q3 in the 2 m model number (DF-G3-NS-Q3)
- For 150 mm (6 in) PVC cable with a M12/Euro-style model, change the suffix 2M to Q5 in the 2 m model number (DF-G3-NS-Q5)
- For integral M8/Pico-style model, change the suffix 2M to Q7 in the 2 m model number (DF-G3-NS-Q7)
- For Q3 and Q7 Dual Output models, use a 5-pin M8/Pico-style or a 6-pin M8/Pico-style mating cordset

Model	Sensing Beam Color	Reference Sensing Range <sup>1</sup>	Outputs	Connector <sup>2</sup>
DF-G3LIR-ND-2M			Dual Independent NPN	2 m (6.5 ft) cable, 5-wire
DF-G3LIR-PD-2M			Dual Independent PNP	

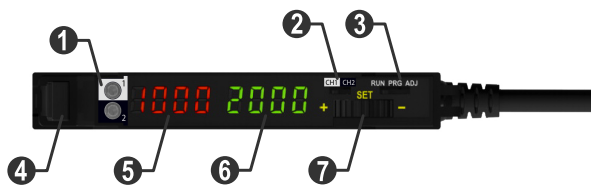
## 1.2 Overview

Figure 1. DF-G3 Single Output



- 1 Single Output LED or Dual Output LEDs
- 2 LO/DO Switch (Single Output) or CH1/CH2 Switch (Dual Output)
- 3 RUN/PRG/ADJ Mode Switch
- 4 Lever Action Fiber Clamp
- 5 Red Signal Level
- 6 Green Threshold
- 7 +/SET/- Rocker Button

Figure 2. DF-G3 Dual Output



## 1.3 Top Panel Interface

Opening the dust cover provides access to the top panel interface. The top panel interface consists of the RUN/PRG/ADJ mode switch, LO/DO or CH1/CH2 switch, +/SET/- rocker button, dual red/green digital displays, and output LED(s).

### RUN/PRG/ADJ Mode Switch



The RUN/PRG/ADJ mode switch puts the sensor in RUN, PRG (Program), or ADJ (Adjust) mode.

- RUN mode allows the sensor to operate normally and prevents unintentional programming changes via the +/SET/- rocker button.
- PRG mode allows the sensor to be programmed through the display-driven programming menu (see Program Mode).
- ADJ mode allows the user to perform Expert TEACH/SET methods and Manual Adjust (see [Adjust Mode](#) on p. 16).

<sup>1</sup> Excess gain = 1 (high sensitivity), opposed mode sensing. PIT46U plastic fiber used for visible LED models, IT.83.3ST5M6 glass fiber used for IR models.

<sup>2</sup> Connector options:

- A model with a QD connector requires a mating cordset (see [Quick-Disconnect Cordsets—Single Output Models](#) on p. 34)
- For 9 m (29.5 ft) cable, change the suffix 2M to 9M in the 2 m model number (DF-G3-NS-9M)
- For 150 mm (6 in) PVC cable with a M8/Pico-style QD model, change the suffix 2M to Q3 in the 2 m model number (DF-G3-NS-Q3)
- For 150 mm (6 in) PVC cable with a M12/Euro-style model, change the suffix 2M to Q5 in the 2 m model number (DF-G3-NS-Q5)
- For integral M8/Pico-style model, change the suffix 2M to Q7 in the 2 m model number (DF-G3-NS-Q7)
- For Q3 and Q7 Dual Output models, use a 5-pin M8/Pico-style or a 6-pin M8/Pico-style mating cordset



**LO/DO Switch (Single Output Models)**

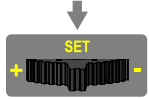
The LO/DO switch selects Light Operate or Dark Operate mode.

- In Light Operate mode, the output is ON when the sensing condition is above the threshold. (For Window SET, the output is ON when the sensing condition is inside the window.)
- In Dark Operate mode, the output is ON when the sensing condition is below the threshold. (For Window SET, the output is ON when the sensing condition is outside the window.)



**CH1/CH2 Switch (Dual Output Models)**

The CH1/CH2 switch selects which output's parameters can be accessed and changed in the interface of the display.



**+/SET/- Rocker Button**

The +/-/SET/- rocker button is a 3-way button. The +/- positions are engaged by rocking the button left/right. The SET position is engaged by clicking down the button while the rocker is in the middle position. All three button positions are used during PRG mode to navigate the display-driven programming menu. During ADJ mode, SET is used to perform TEACH/SET methods and +/- are used to manually adjust the threshold(s). The rocker button is disabled during RUN mode, except when using Window SET (see Window SET).



**Red/Green Digital Displays**

During RUN and ADJ modes, the Red display shows the signal level, and the Green display shows the threshold or the total counts. During PRG mode, both displays are used to navigate the display-driven programming menu.



**Single Output LED**

The output LED provides a visible indication when the output is activated.



**Dual Output LEDs**

The output LEDs provide a visible indication when the associated output is active.

- 1 represents the Channel 1 output.
- 2 represents the Channel 2 output.

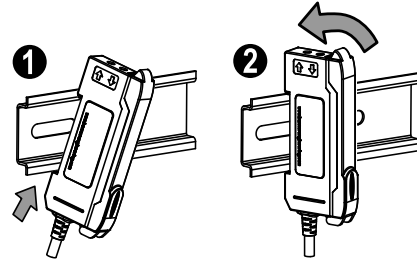
## 2 Installation Instructions

### 2.1 Mounting Instructions

---

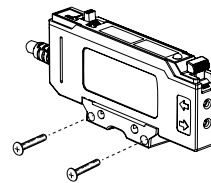
#### Mount on a DIN Rail

1. Hook the DIN rail clip on the bottom of the DF-G3 over the edge of the DIN rail (1).
2. Push the DF-G3 up on the DIN rail (1).
3. Pivot the DF-G3 onto the DIN rail, pressing until it snaps into place (2).



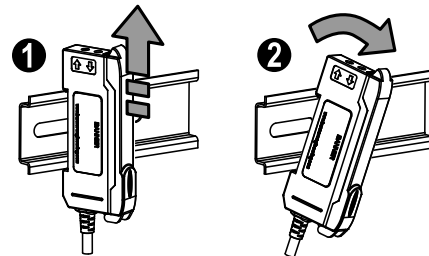
#### Mount to the Accessory Bracket (SA-DIN-BRACKET)

1. Position the DF-G3 in the SA-DIN-BRACKET.
2. Insert the supplied M3 screws.
3. Tighten the screws.



#### Remove from a DIN rail

1. Push the DF-G3 up on the DIN rail (1).
2. Pivot the DF-G3 away from the DIN rail and remove it (2).

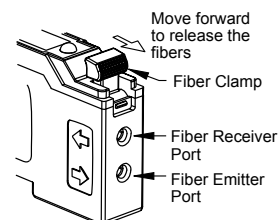


### 2.2 Installing the Fibers in a DF-Gx Sensor

---

Follow these steps to install glass or plastic fibers.

1. Open the dust cover.
2. Move the fiber clamp forward to unlock it.
3. Insert the fiber(s) into the fiber port(s) until they stop.
4. Move the fiber clamp backward to lock the fiber(s).
5. Close the dust cover.

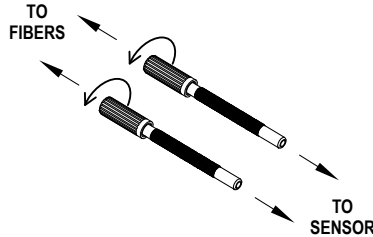


**Note:** For optimum performance of IR models, if applicable, glass fibers must be used.

## 2.3 Fiber Adapters

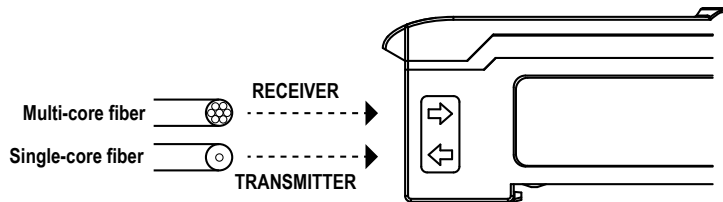


**Note:** If a thin fiber with less than 2.2 mm outer diameter is used, install the fiber adapter provided with the fiber assembly to ensure a reliable fit in the fiber holder. Align the fibers to the end of the adapters. Banner includes the adapters with all fiber assemblies.

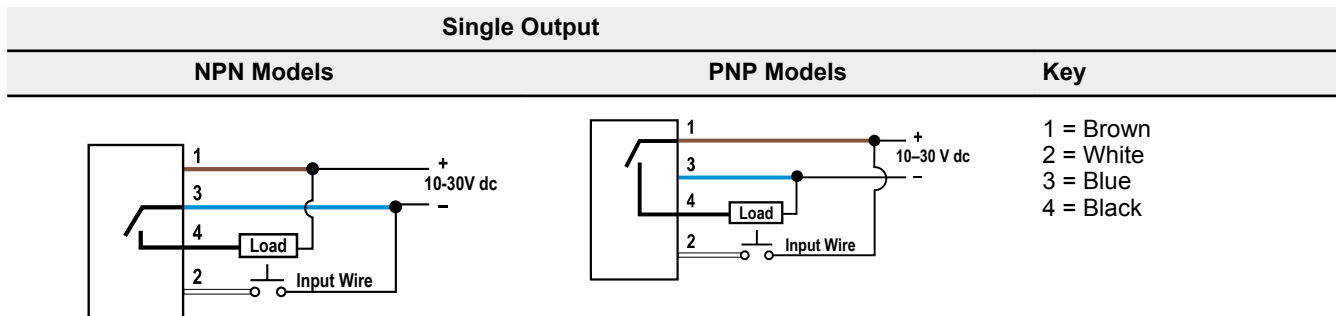


Fiber Outer Diameter (mm)	Adapter Color
Ø 1.0	Black
Ø 1.3	Red
Ø 2.2	No adapter needed

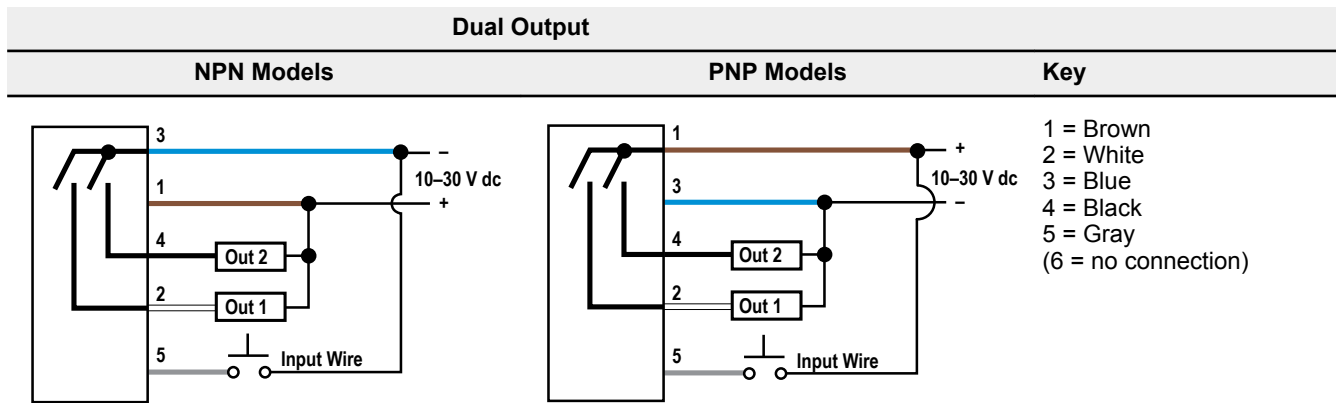
When connecting coaxial-type fiber assemblies to the amplifier, install the single-core (center) fiber to the Transmitter port, and the multi-core (outer) fiber to the Receiver port. This will result in the most reliable detection.



## 2.4 Wiring Diagrams



**Note:** Open lead wires must be connected to a terminal block.



**Note:** Open lead wires must be connected to a terminal block.



**Note:** When using multiple sensors in Master/Slave mode, the gray wires from each sensor should be connected together. The remote programming function cannot be used.



## 3 Operating Instructions

### 3.1 Run Mode



---

Run mode allows the sensor to operate normally and prevents unintentional programming changes. The +/-SET/- rocker button is disabled during RUN mode, except when using Window SET.

## 3.2 Program Mode

### Channel 1 Menu



Program (PRG) mode allows the following settings to be programmed in the DF-G3.

CH1 Factory Default Settings:

Out SEL1 (dual only)	LO
tch SEL1	2-pt tch
rESP SPd	2 ms
OFSt Pct1	10 Pct
Auto Thr1	oFF
dLY SEL1	oFF
SEnS SEL1	Std
inPt SEL	oFF
diSP rEAd	diSP 1234
GAin SEL	Auto



**Note:** The LO/DO selection is not available in the **Single Output** menu.

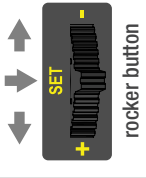
### PROGRAM MODE



RUN PRG ADJ

Menu List ↑

To scroll through menu lists: Press “+” or “-”  
 To enter a choice list or to select and save: Click SET  
 To exit a choice list without saving: Press and hold SET for 2 seconds



rocker button

\* default setting

.... setting-specific

Press and hold SET to exit choice list without saving

Click SET to select and save a choice in any list

Return to Menu List

On display represents a “w”

on display represents a “m”

Click SET to enter choice list

Click SET to enter choice list

Click SET to enter choice list

Click SET to enter choice list

Click SET to enter choice list

Click SET to enter choice list

Click SET to enter choice list

Click SET to enter choice list

Click SET to enter choice list

Click SET to enter choice list

Click SET to enter choice list

Click SET to enter choice list

Click SET to enter choice list

Click SET to enter choice list

Click SET to enter choice list

Click SET to enter choice list



**Channel 2 Menu**

Program (PRG) mode allows the following settings to be programmed in the DF-G3.

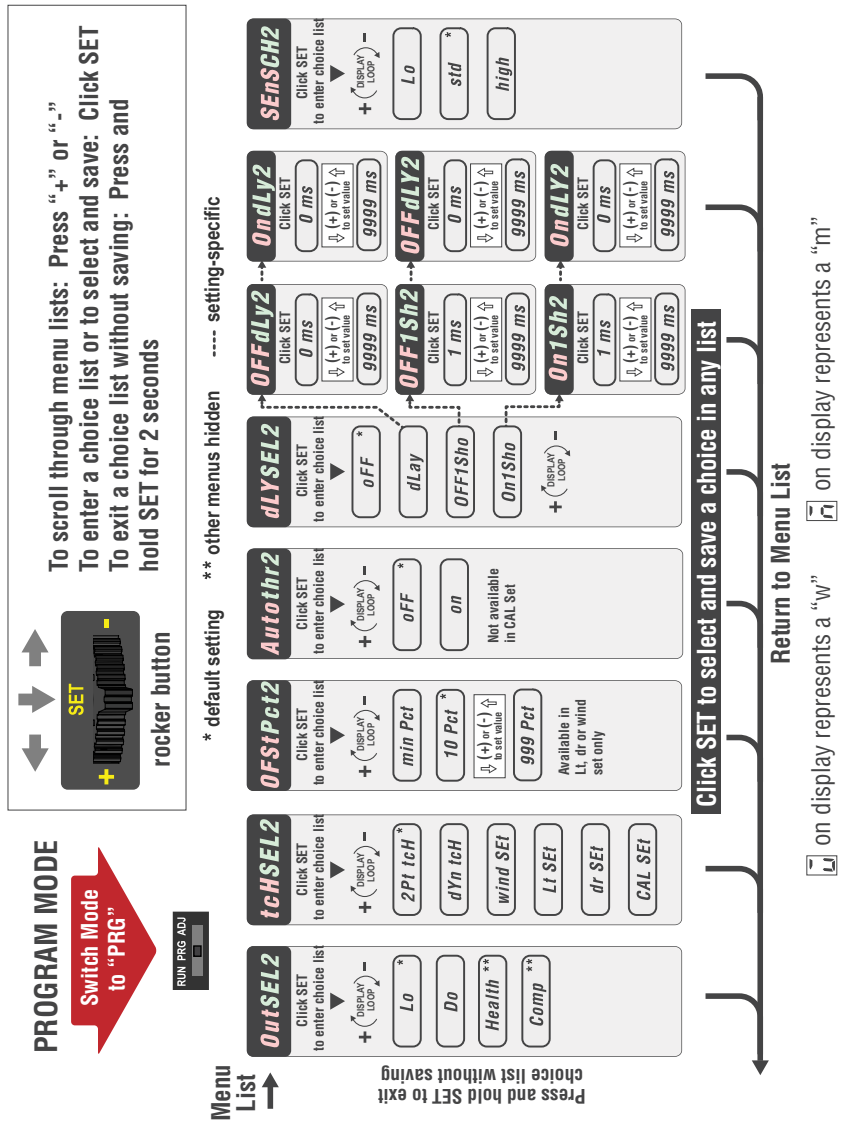
The LO/DO switch is replaced with the CH1/CH2 selection switch. LO/DO is selected via the **Program Mode** menu. Setting the switch to CH1 allows the settings in the Program Mode chart to be programmed globally for CH1 and CH2.

When CH2 is selected in Program mode, the settings below can be configured for CH2 and are independent from CH1 settings.

CH2 Factory Default Settings:

Out SEL2	LO
tch SEL2	2-pt tch
OFSt Pct2	10 pct
Auto Thr2	oFF
dLY SEL2	oFF
SenS CH2	std

The factory default settings for CH2 and CH1 are the same.



**3.2.1 Output Selection** Out SEL1

Both CH1 and CH2 can be programmed for either light operate (LO) or dark operate (DO). The Channel 2 menu includes two additional menus: Health (Health Mode Alarm) and Comp (Complementary Programming).

**Health Mode Alarm**

The Health Mode Alarm alerts you when preventative maintenance becomes necessary to ensure reliable sensing. The Health Mode output 2 is Active when the system is OK and operating normally. Health Mode output 2 becomes Inactive when the system is in a marginal state because of contamination. The system still operates normally and can detect small objects, but is nearing the alarm state. When the system is completely contaminated and unable to ensure reliable sensing, the system goes into the alarm state. In the alarm state, the discrete output 1 is forced to the blocked state and can no longer be used to detect small objects.

- Threshold Alert thc ALrt displays when Health Mode output 2 is inactive because of contamination. The system operates normally but is nearing the alarm state.
- Threshold Error thc Err displays when discrete output 1 is forced to the blocked state and can no longer be used to detect small objects.

The sensor may enter Health Mode Alarm for any of these reasons:

1. When first powered up; the fiber optic array may already be contaminated

2. If the Window SET procedure fails, indicating the fiber optic array is contaminated and the sensor could not set a valid clear-state light level for reliable detection
3. If the fiber optic array is contaminated enough that the auto compensation tracking algorithm cannot sufficiently adjust the thresholds to ensure reliable detection
4. If the fiber optic array is blocked for more than 2 seconds

Return the system to normal operation by cleaning the fiber optic array and performing a Window SET to reset the clear-state light level (see [Window SET](#) on p. 19).

## Complementary Programming

When CH2 is selected for Comp (Complementary) operation, its output always switches to the opposite state of CH1.

### 3.2.2 TEACH Selection

The DF-G3 can be programmed for one of the following TEACH/SET methods:

- Two-Point TEACH
- Dynamic TEACH
- Window SET
- Light SET
- Dark SET
- Calibration SET



**Note:** A **TEACH Selection** must be selected by programming before TEACH/SET methods can be used.

### 3.2.3 Response Speed


The DF-G3 can be programmed for one of the following Response Speeds:

Description	Response Speed	Repetition Period	Repeatability	Cross-Talk Avoidance	Energy Efficient Light Resistance	Maximum Range, Red <sup>3</sup>	Maximum Range, IR850 <sup>4</sup>
High Speed	500 µs	100 µs	100 µs	No	No	1200 mm	2400 mm
Fast	1000 µs	100 µs	150 µs	Yes	No	1500 mm	3000 mm
Standard	2 ms	100 µs	180 µs	Yes	Yes	1500 mm	3000 mm
Long Range	8 ms	100 µs	180 µs	Yes	Yes	1950 mm	3900 mm
Extra Long Range	24 ms	100 µs	180 µs	Yes	Yes	3000 mm	6000 mm

### 3.2.4 Offset Percent

The Offset Percent is used during the Window, Light, or Dark SET methods. The threshold(s) are positioned a programmable % offset from the taught condition.

The allowable range is 5% minimum to 95% maximum for all response speeds.

 The offset percent can also be programmed to **Minimum Offset**. This allows the DF-G3 to set the threshold(s) as close as possible to the presented condition, but still provide for reliable sensing.



**Note:** Offset Percent **MUST** be programmed to **Minimum Offset** for Dark SET to accept conditions of no signal (0 counts).

### 3.2.5 Auto Thresholds

Auto Thresholds can be programmed to be ON/OFF. The Auto Thresholds algorithm continuously tracks slow changes in the taught condition(s), and optimizes the threshold(s) to provide for reliable sensing. For Two-Point and Dynamic TEACH, the algorithm optimizes the threshold to be centered between the light and dark conditions. For Window, Light, and Dark SET, the algorithm optimizes the threshold(s) to maintain the programmed Offset Percent from the taught condition.

- After programming Auto Thresholds to ON, it is highly recommended to re-perform the TEACH/SET method
- Manual Adjustments are disabled when Auto Thresholds are ON

<sup>3</sup> Excess gain = 1 (high sensitivity), opposed mode sensing. PIT46U plastic fiber used for visible LED models.

<sup>4</sup> Excess gain = 1 (high sensitivity), opposed mode sensing. IT.83.3ST5M6 glass fiber used for IR models.

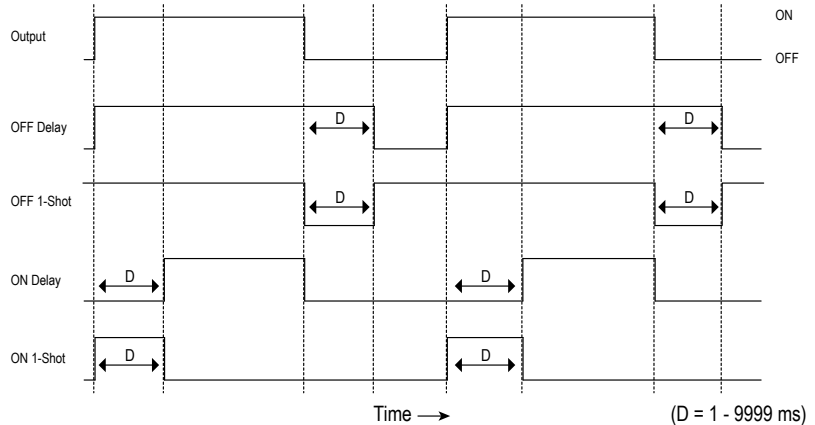
- Auto Thresholds are automatically disabled in Calibration SET (see [Calibration SET](#) on p. 24)
- Severe contamination/changes in the taught condition can prevent the Auto Thresholds algorithm from optimizing the threshold(s). If this occurs, the DF-G3 enters a **Threshold Alert** or **Threshold Error** state. See [Troubleshooting](#) on p. 25 for more explanation.

### 3.2.6 Delays/Timers OFF dLY1 OFF 1Sh1 On dLY1 On 1Sh1

ON/OFF Delays and ON/OFF One-Shot timers can be programmed independently for both CH1 and CH2 for a time period between between 1 - 9999 ms (a value of 0 disables the delay/timer). [Figure 3](#) on p. 13 defines how the delays/timers affect the output behavior.

Some combinations of delays/timers are not allowed. The DF-G3 programming menu automatically disables invalid combinations of delays/timers. The following table shows the allowable combinations of delays/timers:

Figure 3. DF-G3 Delays/Timers



	OFF Delay	OFF One-Shot Timer	ON Delay	ON One-Shot Timer
<b>OFF Delay</b>	-	OK	OK	N/A
<b>OFF One-Shot Timer</b>	OK	-	N/A	N/A
<b>ON Delay</b>	OK	N/A	-	OK
<b>ON One-Shot Timer</b>	N/A	N/A	OK	-

### 3.2.7 Sensitivity Selection SEn SEL1

The Sensitivity Selection can be programmed independently for CH1 and CH2. Use this setting to increase (lo) or decrease (high) the switch-point hysteresis from the default (std) setting.

- high—High sensitivity. Use this setting for low contrast sensing
- Std—Standard sensitivity
- Lo—Low sensitivity. Use this setting to stabilize the output in high vibration applications

### 3.2.8 Input Wire Function inPt SEL

The DF-G3 can be programmed for one of the following input wire functions:

- Off—Ignore all pulses
- Set—Remote TEACH input
- Master—Master sync line output for multi-sensor cross-talk avoidance
- Slave—Slave sync line output for multi-sensor cross-talk avoidance
- LED off—When the input wire is active the emitter LED turns off
- LED on—When the input wire is active the emitter LED turns on
- Gate—When the input wire is active the outputs are locked in their present state; any active delay timers are paused

For remote programming in Set Mode see [Remote Input](#) on p. 14.

To configure sensors for master-slave operation, see [Sync Master/Slave](#) on p. 15.

### 3.2.9 Display Readout dISP rERd

The readout of the digital displays can be programmed for the following options:

- Signal/Threshold readout - Numeric (1234) or % (123P)

- ECO mode - Enabled or Disabled (ECO mode dims the displays to reduce current consumption)
- Display Orientation - Normal (1234) or Flipped (๖๕๗1)

### 3.2.10 Gain Selection GAIN SEL

The DF-G3 can operate in Auto Gain mode or the Gain can be fixed to be in Gain 1...7. In Auto Gain, the DF-G3 optimizes the gain during a TEACH/SET method for the presented condition(s). While viewing the fixed gains in the Gain Selection choice list, the DF-G3 will automatically switch to the selected gain and display the measured signal on the Red display. This allows for easy and quick evaluation of the fixed gain mode.

### 3.2.11 Factory Defaults FACTY DEF

The Factory Defaults menu allows the DF-G3 to be easily restored back to original factory default settings (see **Factory Default Settings** in Specifications).

## 3.3 Remote Input

Use the input wire to program the sensor remotely. To program the sensor using the input wire, remote input must be enabled (inPt SEL = SET, see [Input Wire Function](#) on p. 13). The remote input provides limited programming options (see the figure below). Pulse the remote input according to the figures and the instructions provided in this manual.



**Note:** For NPN models, the remote input pulses are active low as shown in the following figures. For PNP models, the remote input pulses are active high and are inverted from the following figures.

Figure 4. Single Output—Remote Input Flowchart

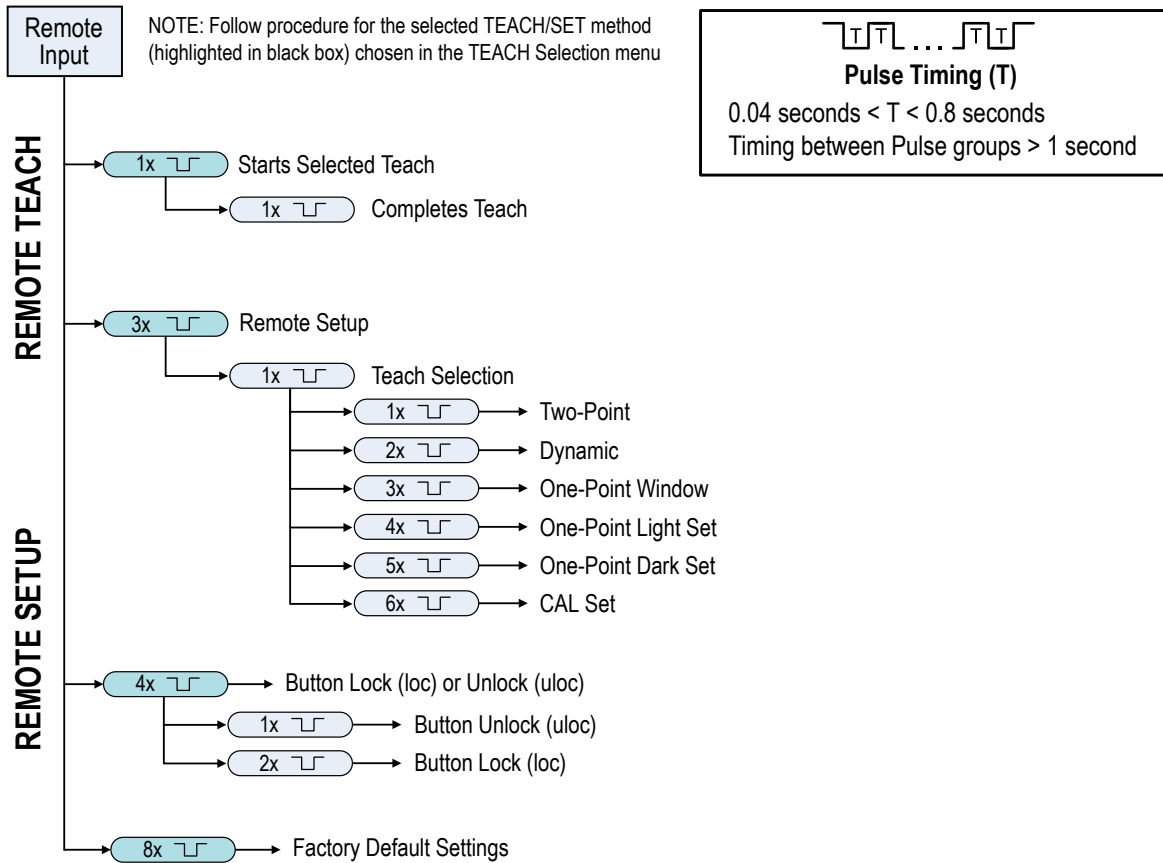
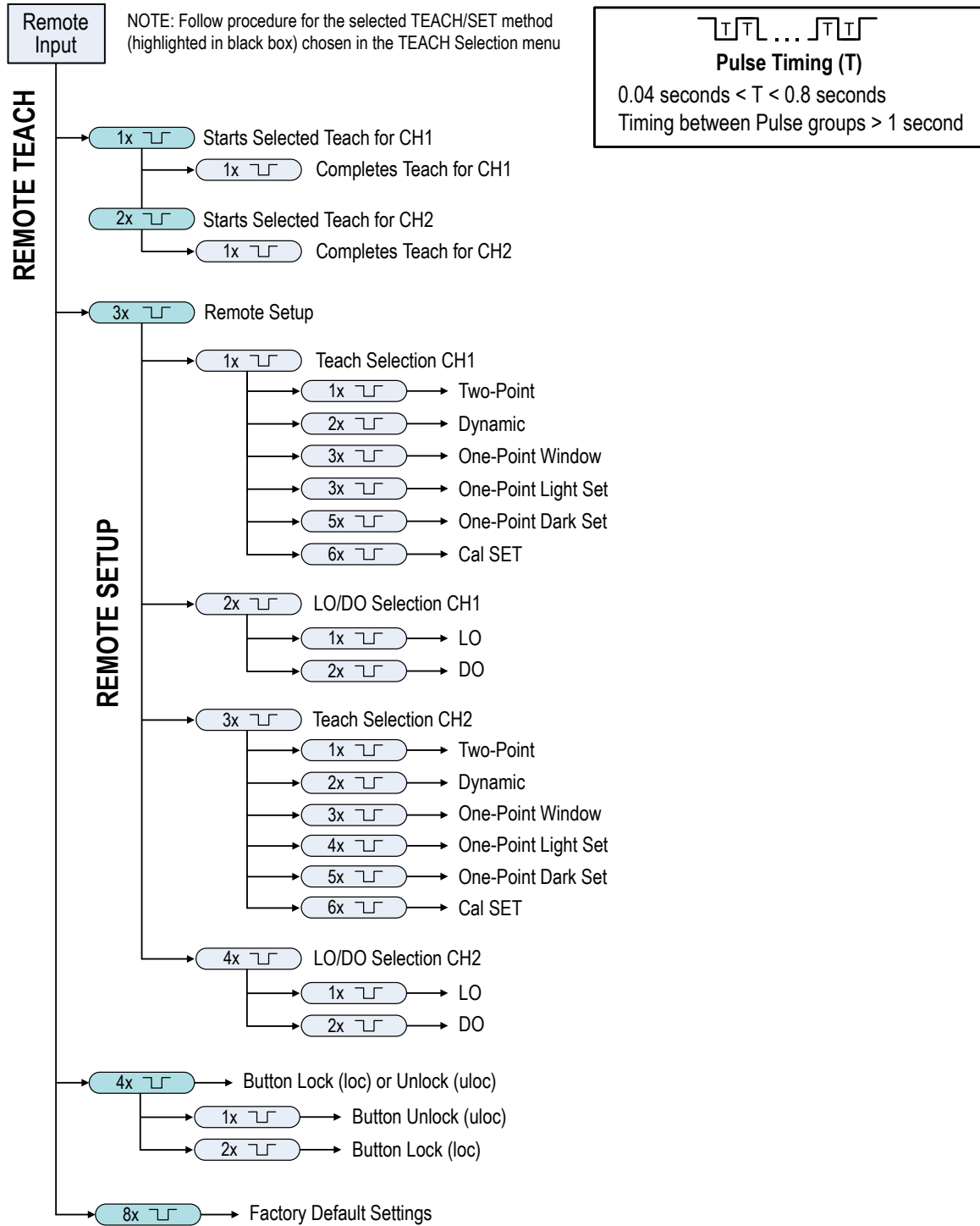


Figure 5. Dual Output—Remote Input Flowchart



### 3.4 Sync Master/Slave

Up to seven DF-G3 Long Range Expert Dual Display Fiber Amplifier sensors may be used together in a single sensing application. To eliminate crosstalk between the sensors, configure one sensor to be the master and the remaining sensors to be the slaves. In this mode, the sensors alternate taking measurements and the response speed is 2 ms.

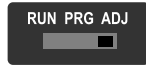


**Note:** Note: In this mode, all sensors must either be NPN or PNP output models.

1. Configure the first sensor as the Master (inPt SEL = MAST).
2. In the Master sensor set-up, enter the total number of Slave sensors you will be using (tOtL SLAV = 1 - 6).
3. For each Slave sensor used, configure the input as a Slave (inPt SEL = SLVE).
4. Give each Slave its own identifying address (SLAV Addr = 1 - 6).
5. Connect the Input wires of the Master and all of the Slaves together.



**Note:** Note: Giving two Slave sensors the same address will cause them to fire their emitters at the same time in the firing sequence.



## 3.5 Adjust Mode

Sliding the RUN/PRG/ADJ mode switch to the ADJ position allows the user to perform Expert TEACH/SET methods and Manual Adjustment of the threshold(s).



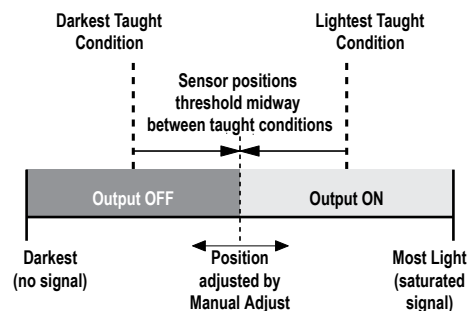
**Note:** For the Dual Output models, when teaching CH2, the gain setting will be the same as the gain setting made during the CH1 teach. Reteaching CH1 may invalidate the previous CH2 teach.

### 3.5.1 Two-Point TEACH

- Establishes a single switching threshold
- Threshold can be adjusted by using the "+" and "-" rocker button (Manual Adjust)

Two-Point TEACH is used when two conditions can be presented statically to the sensor. The sensor locates a single sensing threshold (the switch point) midway between the two taught conditions, with the Output ON condition on one side, and the Output OFF condition on the other.

Figure 6. Two-Point TEACH (Light Operate shown)



The Output ON and OFF conditions can be reversed by using the LO/DO (Light Operate/ Dark Operate) switch or through the program interface for the dual output model.

#### Two-Point TEACH and Manual Adjust

Moves switching threshold value up or down to make adjustments

- Slide Mode switch to ADJ to enter Adjust mode
- Press "+" to increase; press "-" to decrease
  - GREEN display shows the switching threshold value
  - 2 seconds after adjustment, the GREEN display will flash 3 times to confirm
- Slide Mode switch to RUN to complete operation



**Remember:** Manual adjustments are disabled when Auto Thresholds are ON



Follow these steps to perform a Two-Point TEACH:



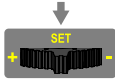


**Note:** TEACH Selection must be programmed to **2Pt tcH**.

1. Enter Adjust mode.

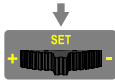

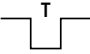
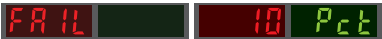


Method	Action	Result
SET Button <sup>5</sup>	Set the Mode switch to ADJ. 	Display: Red - Signal Level; Green - Threshold 
Remote Input <sup>6</sup>	No action is required; sensor is ready for the Two-Point TEACH method	



## 2. Teach the first condition.

Method	Action	Result
SET Button	a. Present the first condition. b. Click the SET rocker button. 	Display: Flashes "2Pt tch" then holds on "1234 2nd" 
Remote Input	a. Present the first condition. b. Single-pulse the remote input. 	

## 3. Teach the second condition.

Method	Action	Result
SET Button	a. Present the second condition. b. Click the SET rocker button. 	<b>TEACH Accepted</b> Displays alternate "PASS" and % Minimum Difference <sup>7</sup> ; Sensor returns to Adjust mode 
Remote Input	a. Present the second condition. b. Single-pulse the remote input. 	<b>TEACH Not Accepted</b> Displays alternate "FAIL" and % Minimum Difference <sup>7</sup> ; Sensor returns to Adjust mode 

## 4. Return to Run mode.

Method	Action	Result
SET Button	Move the Mode switch to RUN 	Display: Red - Signal Level; Green - Threshold 
Remote Input	No action is required; sensor returns to RUN mode automatically	

### 3.5.2 Dynamic TEACH

- Teaches on-the-fly
- Establishes a single switching threshold
- Threshold can be adjusted using "+" and "-" rocker button (Manual Adjust)

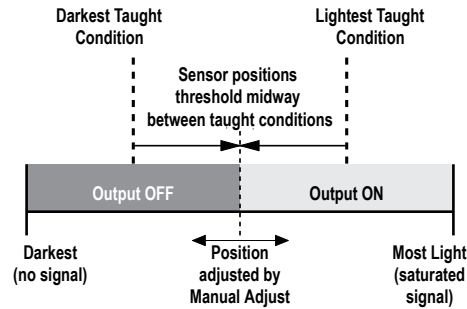
Dynamic TEACH is best used when a machine or process may not be stopped for teaching. The sensor learns during actual sensing conditions, taking multiple samples of the light and dark conditions and automatically setting the threshold at the optimum level.

<sup>5</sup> SET Button: 0.04 seconds ≤ "Click" ≤ 0.8 seconds

<sup>6</sup> Remote Input: 0.04 seconds ≤ T ≤ 0.8 seconds

<sup>7</sup> See [Troubleshooting](#) on p. 25 for more explanation of the % Minimum Difference displayed after the Two-Point TEACH method.

Figure 7. Dynamic TEACH (Light Operate shown)



The Output ON and OFF conditions can be reversed by using the LO/DO (Light Operate/ Dark Operate) switch or through the program interface for the dual output model.

### Dynamic TEACH and Manual Adjust

Moves switching threshold value up or down to make adjustments

- Slide Mode switch to ADJ to enter Adjust mode
- Press "+" to increase; press "-" to decrease
  - GREEN display shows the switching threshold value
  - 2 seconds after adjustment, GREEN display will flash 3 times to confirm
- Slide Mode switch to RUN to complete operation



**Remember:** Manual adjustments are disabled when Auto Thresholds are ON

Follow these steps to perform **Dynamic TEACH**:



**Note:** TEACH Selection must be programmed to **dYn tch**.

1. Enter Adjust Mode.

Method	Action	Result
SET Button <sup>8</sup>	Set Mode switch to ADJ	Display: Red - Signal Level; Green - Threshold 
Remote Input <sup>9</sup>	No action required; sensor is ready for Dynamic TEACH method	

2. Enter Dynamic TEACH.

Method	Action	Result
SET Button	Click the SET rocker button	Display: Flashes "dYn tch" then holds on "1234 dYn" 
Remote Input	Single-pulse remote input	

3. Present ON and OFF Conditions.

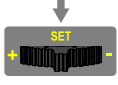

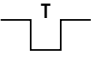
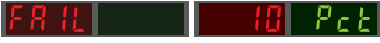
Method	Action	Result
SET Button	Present ON and OFF conditions	Display: Red - Signal Level; Green - Threshold 

<sup>8</sup> SET Button: 0.04 seconds ≤ "Click" ≤ 0.8 seconds

<sup>9</sup> Remote Input: 0.04 seconds ≤ T ≤ 0.8 seconds

Method	Action	Result
Remote Input	Present ON and OFF conditions	

4. Exit Dynamic TEACH.

Method	Action	Result
SET Button	Click the SET rocker button 	<b>TEACH Accepted</b> Displays alternate "PASS" with % Minimum Difference <sup>10</sup> , Sensor returns to Adjust mode 
Remote Input	Single-pulse remote input 	<b>TEACH Not Accepted</b> Displays alternate "FAIL" with % Minimum Difference <sup>10</sup> , Sensor returns to Adjust mode 

5. Return to RUN Mode.

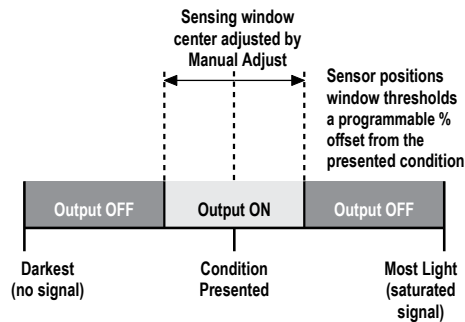
Method	Action	Result
SET Button	Move Mode switch to RUN 	Display: Red - Signal Level; Green - Threshold 
Remote Input	No action required; sensor returns to RUN mode automatically	

### 3.5.3 Window SET

- Sets window thresholds that extend a programmable % offset above and below the presented condition
- All other conditions (lighter or darker) cause the output to change state
- Sensing window center can be adjusted using "+" and "-" rocker button (Manual Adjust)
- Recommended for applications where a product may not always appear in the same place, or when other signals may appear
- See Program Mode for programming the Offset Percent setting

A single sensing condition is presented, and the sensor positions window thresholds a programmable % offset above and below the presented condition. In LO mode, Window SET designates a sensing window with the Output ON condition inside the window, and the Output OFF conditions outside the window.

Figure 8. Window SET (Light Operate shown)



The Output ON and OFF conditions can be reversed by using the LO/DO (Light Operate/ Dark Operate) switch or through the program interface for the dual output model.

<sup>10</sup> See [Troubleshooting](#) on p. 25 for more explanation of the % Minimum Difference displayed after the Dynamic TEACH method.

## Window SET and Manual Adjust

Moves sensing window center value up or down to make adjustments

- Slide Mode switch to ADJ to enter Adjust mode
- Press "+" to increase; press "-" to decrease
  - GREEN display shows the sensing window center value
  - 2 seconds after adjustment, the GREEN display will flash 3 times to confirm
- Slide Mode switch to RUN to complete operation



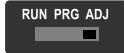

**Remember:** Manual adjustments are disabled when Auto Thresholds are ON

Follow these steps to perform a Window SET:

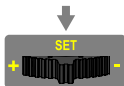
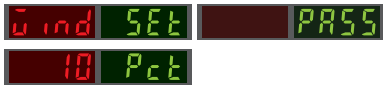
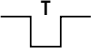



**Note:** TEACH Selection must be programmed to **wind SET**.


### 1. Enter Adjust Mode

Method	Action	Result
SET Button <sup>11</sup>	Set Mode switch to ADJ 	Display: Red - Signal Level; Green - Threshold 
Remote Input <sup>12</sup>	No action required; sensor is ready for Window SET method	

### 2. SET Sensing Condition

Method	Action	Result
SET Button	<ul style="list-style-type: none"> <li>• Present sensing condition</li> <li>• Click the SET rocker button </li> </ul>	<p><b>Threshold Condition Accepted</b> Displays read "wInd SET" then alternate "PASS" with % Offset <sup>13</sup>; Sensor returns to Adjust mode</p> 
Remote Input	<ul style="list-style-type: none"> <li>• Present sensing condition</li> <li>• Single-pulse the remote input </li> </ul>	<p><b>Threshold Condition Not Accepted</b> Displays read "wInd SET" then alternate "FAIL" with minimum % Offset <sup>13</sup> for sensing condition; Sensor returns to Adjust mode</p> 

### 3. Return to RUN Mode

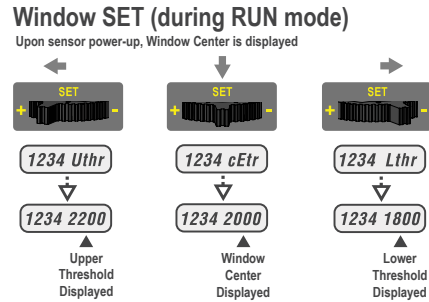
Method	Action	Result
SET Button	Move Mode switch to Run 	Display: Red - Signal Level; Green - Window Center (see Figure 9 on p. 21 for instructions on how to display upper and lower thresholds)
Remote Input	No action required; sensor returns to Run mode automatically	

<sup>11</sup> SET Button: 0.04 seconds ≤ "Click" ≤ 0.8 seconds

<sup>12</sup> Remote Input: 0.04 seconds ≤ T ≤ 0.8 seconds

<sup>13</sup> See [Troubleshooting](#) on p. 25 for more explanation of the % Offset displayed after the Window SET method

Figure 9. Upper and Lower Thresholds

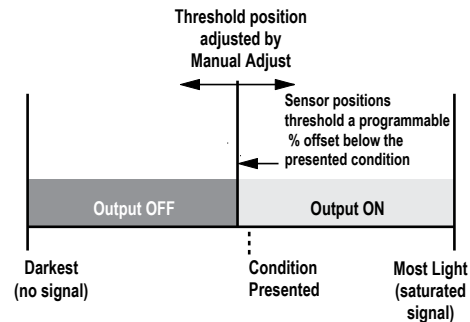


### 3.5.4 Light SET

- Sets a threshold a programmable % offset below the presented condition
- Changes output state on any condition darker than the threshold condition
- Threshold can be adjusted using "+" and "-" rocker button (Manual Adjust)
- Recommended for applications where only one condition is known, for example a stable light background with varying darker targets
- See Program Mode for programming the Offset Percent setting

A single sensing condition is presented, and the sensor positions a threshold a programmable % offset below the presented condition. When a condition darker than the threshold is sensed, the output either turns ON or OFF, depending on the LO/DO setting.

Figure 10. Light SET (Light Operate shown)



#### Light SET and Manual Adjust

Moves switching threshold value up or down to make adjustments

- Slide Mode switch to ADJ to enter Adjust mode
- Press "+" to increase; press "-" to decrease
  - GREEN display shows the switching threshold value
  - 2 seconds after adjustment, the GREEN display will flash 3 times to confirm
- Slide Mode switch to RUN to complete operation



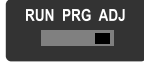

**Remember:** Manual adjustments are disabled when Auto Thresholds are ON

Follow these steps to perform a Light SET:

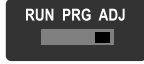

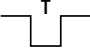



**Note:** TEACH Selection must be programmed to Lt SET.



1. Enter Adjust Mode

Method	Action	Result
SET Button <sup>14</sup>	Set Mode switch to ADJ 	Display: Red - Signal Level; Green - Threshold 
Remote Input <sup>15</sup>	No action is required; sensor is ready for Light SET method	

2. SET Sensing Condition

Method	Action	Result
SET Button	<ul style="list-style-type: none"> <li>Present sensing condition</li> <li>Click the SET rocker button</li> </ul> 	<p><b>Threshold Condition Accepted</b> Displays read "Lt SET" then alternate "PASS" with % Offset <sup>16</sup>; Sensor returns to Adjust mode</p> 
Remote Input	<ul style="list-style-type: none"> <li>Present sensing condition</li> <li>Single-pulse the remote input</li> </ul> 	<p><b>Threshold Condition Not Accepted</b> Displays read "Lt SET" then alternate "FAIL" with minimum % Offset <sup>16</sup> for sensing condition; Sensor returns to Adjust mode</p> 

3. Return to RUN Mode

Method	Action	Result
SET Button	Move Mode switch to RUN 	Display: Red - Signal Level; Green - Threshold 
Remote Input	No action required; sensor returns to RUN mode automatically	

### 3.5.5 Dark SET

- Sets a threshold a programmable % offset above the presented condition
- Any condition lighter than the threshold condition causes the output to change state
- Threshold can be adjusted using "+" and "-" rocker button (Manual Adjust)
- Recommended for applications where only one condition is known, for example a stable dark background with varying lighter targets
- See Program Mode for programming the Offset Percent setting



**Note:** Offset Percent MUST be programmed to **Minimum Offset** to accept conditions of no signal (0 counts).

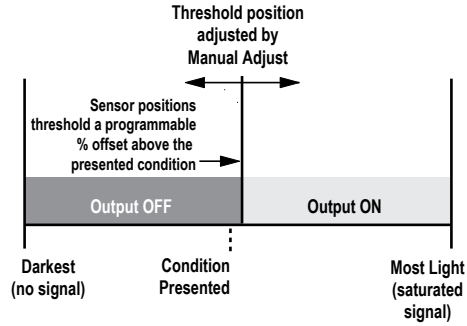
A single sensing condition is presented, and the sensor positions a threshold a programmable % offset above the presented condition. When a condition lighter than the threshold is sensed, the output either turns ON or OFF, depending on the LO/DO setting.

<sup>14</sup> SET Button: 0.04 seconds ≤ "Click" ≤ 0.8 seconds

<sup>15</sup> Remote Input: 0.04 seconds ≤ T ≤ 0.8 seconds

<sup>16</sup> See [Troubleshooting](#) on p. 25 for more explanation of the % Offset displayed after the Light SET method

Figure 11. Dark SET (Light Operate shown)



### Dark SET and Manual Adjust

Moves switching threshold value up or down to make adjustments

- Slide Mode switch to ADJ to enter Adjust mode
- Press "+" to increase; press "-" to decrease
  - GREEN display shows the switching threshold value
  - 2 seconds after adjustment, the GREEN display will flash 3 times to confirm
- Slide Mode switch to RUN to complete operation




**Remember:** Manual adjustments are disabled when Auto Thresholds are ON

Follow these steps to perform a Dark SET:



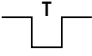



**Note:** TEACH Selection must be programmed to **dr SET**.

1. Enter Adjust Mode.

Method	Action	Result
SET Button <sup>17</sup>	Set Mode switch to ADJ 	Display: Red - Signal Level; Green - Threshold 
Remote Input <sup>18</sup>	No action required; sensor is ready for Dark SET method	

2. SET Sensing Condition.


Method	Action	Result
SET Button	<ul style="list-style-type: none"> <li>• Present sensing condition</li> <li>• Click the SET rocker button</li> </ul> 	<p><b>Threshold Condition Accepted</b> Displays read "dr SET" then alternate "PASS" with % Offset <sup>19</sup>; Sensor returns to Adjust mode</p> 
Remote Input	<ul style="list-style-type: none"> <li>• Present sensing condition</li> <li>• Single-pulse the remote input</li> </ul> 	<p><b>Threshold Condition Not Accepted</b> Displays read "dr SET" then alternate "FAIL" with minimum % Offset <sup>19</sup> for sensing condition; Sensor returns to Adjust mode</p> 

<sup>17</sup> SET Button: 0.04 seconds ≤ "Click" ≤ 0.8 seconds

<sup>18</sup> Remote Input: 0.04 seconds ≤ T ≤ 0.8 seconds

<sup>19</sup> See [Troubleshooting](#) on p. 25 for more explanation of the % Offset displayed after the Dark SET method

3. Return to RUN Mode.

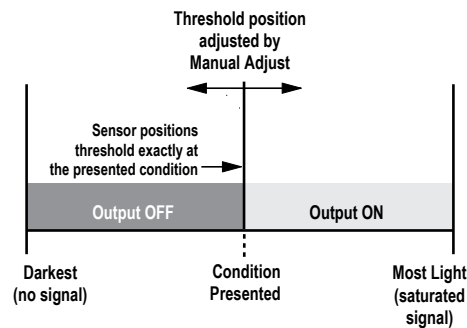
Method	Action	Result
SET Button	Move Mode switch to RUN 	Display: Red - Signal Level; Green - Threshold 
Remote Input	No action required; sensor returns to RUN mode automatically	

### 3.5.6 Calibration SET

- Sets a threshold exactly at the presented condition
- Threshold can be adjusted using "+" and "-" rocker button (Manual Adjust)

A single sensing condition is presented, and the sensor positions a threshold exactly at the presented condition. When a condition lighter than the threshold is sensed, the output either turns ON or OFF, depending on the LO/DO setting.

Figure 12. Calibration SET (Light Operate shown)



#### Calibration SET and Manual Adjust

Moves switching threshold value up or down to make adjustments

- Slide Mode switch to ADJ to enter Adjust mode
- Press "+" to increase; press "-" to decrease
  - GREEN display shows the switching threshold value
  - 2 seconds after adjustment, the GREEN display will flash 3 times to confirm
- Slide Mode switch to RUN to complete operation





**Remember:** Auto Thresholding is automatically disabled in Calibration SET

Follow these steps to perform a Calibration SET:



**Note:** TEACH Selection must be programmed to **CAL SET**.

1. Enter Adjust Mode

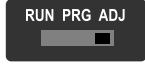

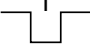

Method	Action	Result
SET Button <sup>20</sup>	• Set Mode switch to ADJ 	Display: Red - Signal Level; Green - Threshold 
Remote Input <sup>21</sup>	No action required; sensor is ready for Calibration SET method	

2. SET Sensing Condition

<sup>20</sup> SET Button: 0.04 seconds ≤ "Click" ≤ 0.8 seconds

<sup>21</sup> Remote Input: 0.04 seconds ≤ T ≤ 0.8 seconds




Method	Action	Result
SET Button	<ul style="list-style-type: none"> <li>Present sensing condition</li> <li>Click the SET rocker button</li> </ul> 	<p><b>Threshold Condition Accepted</b> Displays read "cAL SET" then flashes "PASS"; Sensor returns to Adjust mode</p> 
Remote Input	<ul style="list-style-type: none"> <li>Present sensing condition</li> <li>Single-pulse the remote input</li> </ul> 	<p><b>Threshold Condition Unacceptable</b> Displays read "cAL SET" then flashes "FAIL"; Sensor returns to Adjust mode</p> 

3. Return to RUN Mode

Method	Action	Result
SET Button	Move Mode switch to RUN	 Display: Red - Signal Level; Green - Threshold 
Remote Input	No action required; sensor returns to RUN mode automatically	

### 3.6 Troubleshooting

#### 3.6.1 Manual Adjustments Disabled

Manual adjustments are disabled when Auto Thresholds are ON. If a manual adjustment is attempted while Auto Thresholds are ON, the Green display will flash .

#### 3.6.2 Percent Minimum Difference after TEACH

The Two-Point and Dynamic TEACH methods will flash a % minimum difference on the displays after a PASS or FAIL.

Value	PASS/FAIL	Description
0 to 99%	FAIL	The difference of the taught conditions does not meet the required minimum
100 to 300%	PASS	The difference of the taught conditions just meets/exceeds the required minimum, minor sensing variables may affect sensing reliability
300 to 600%	PASS	The difference of the taught conditions sufficiently exceeds the required minimum, minor sensing variables will not affect sensing reliability
600% +	PASS	The difference of the taught conditions greatly exceeds the required minimum, very stable operation




#### 3.6.3 Percent Offset after SET

The Window, Dark, and Light SET methods will flash a % offset on the displays after a PASS or FAIL.

SET Result	% Offset Meaning
PASS (with % Offset)	Displays the % offset used for the SET method
FAIL (with % Offset)	Displays the minimum required % offset necessary to PASS the SET method
FAIL (without % Offset)	Presented condition cannot be used for the SET method

### 3.6.4 Threshold Alert or Threshold Error

Severe contamination/changes in the taught condition can prevent the Auto Thresholds algorithm from optimizing the threshold(s).

State	Display	Description	Corrective Action
Threshold Alert	Alternates  and 	The threshold(s) cannot be optimized, but the sensor's output will still continue to function	Cleaning/correcting the sensing environment and/or a re-teach of the sensor is highly recommended
Threshold Error		The threshold(s) cannot be optimized, and the sensor's output will stop functioning	Cleaning/correcting the sensing environment and/or a re-teach of the sensor is required

# 4 Specifications

## Sensing Beam

DF-G3: Visible red, 635 nm  
 DF-G3IR: Infrared, 850 nm  
 DF-G3LIR: Long infrared, 1450 nm

## Supply Voltage

10 V DC to 30 V DC Class 2 (10% maximum ripple)

## Power and Current Consumption (exclusive of load)

**Standard display mode:** 840 mW, Current consumption < 35 mA at 24 V DC  
**ECO display mode:** 672 mW, Current consumption < 28 mA at 24 V DC

## Supply Protection Circuitry

Protected against reverse polarity, overvoltage, and transient voltages

## Delay at Power Up

500 milliseconds maximum; outputs do not conduct during this time

## Output Configuration

1 or 2 NPN or PNP outputs, depending on model

## Output Rating

100 mA maximum combined load (derate 1 mA per °C above 30 °C)  
**OFF-state leakage current:** < 5 µA at 30 V DC;  
**ON-state saturation voltage:** NPN: < 1.5 V; PNP: < 2 V

## Output Protection

Protected against output short-circuit, continuous overload, transient overvoltages, and false pulse on power-up

## Response Speed and Features

Description	Response Speed	Repetition Period	Repeatability	Cross-Talk Avoidance	Energy Efficient Light Resistance	Maximum Range, Red <sup>22</sup>	Maximum Range, IR850 <sup>23</sup>
High Speed	500 µs	100 µs	100 µs	No	No	1200 mm	2400 mm
Fast	1000 µs	100 µs	150 µs	Yes	No	1500 mm	3000 mm
Standard	2 ms	100 µs	180 µs	Yes	Yes	1500 mm	3000 mm
Long Range	8 ms	100 µs	180 µs	Yes	Yes	1950 mm	3900 mm
Extra Long Range	24 ms	100 µs	180 µs	Yes	Yes	3000 mm	6000 mm

## Indicators

**Red 4-digit Display:** Signal Level  
**Green 4-digit Display:** Threshold  
 (In Program Mode, Red and Green displays are used for programming menus)  
**Yellow LED:** Output conducting

## Operating Conditions

**Temperature:** -10 °C to +55 °C (+14 °F to +131 °F)  
**Storage Temperature:** -20 °C to +85 °C (-4 °F to +185 °F)  
**Humidity:** 50% at +50 °C maximum relative humidity (non-condensing)

## Environmental Rating

IP50, NEMA 1

## Connections

PVC-jacketed 2 m or 9 m (6.5 ft or 30 ft) 4-wire or 5-wire integral cable; or integral 4-pin or 5-pin M8 quick disconnect; or 150 mm (6 in) cable with a 4-pin or 5-pin M8 quick disconnect; or 150 mm (6 in) cable with a 4-pin or 5-pin M12 quick disconnect  
 For Q3 or Q7 5-pin models, either a 5-pin M8 or a 6-pin M8 mating cordset may be used

## Construction

Black ABS/polycarbonate alloy (UL94 V-0 rated) housing, clear polycarbonate cover

<sup>22</sup> Excess gain = 1 (high sensitivity), opposed mode sensing. PIT46U plastic fiber used for visible LED models.

<sup>23</sup> Excess gain = 1 (high sensitivity), opposed mode sensing. IT.83.3ST5M6 glass fiber used for IR models.

**Adjustments**

- 3-way RUN/PRG/ADJ Mode Switch
- 2-way LO/DO Switch or CH1/CH2 Switch
- 3-way +/SET/- Rocker Button
  - Expert-style teaching (Two-Point and Dynamic TEACH, Light/Dark/Window/Calibration SET)
  - Manually adjust sensitivity (from "+" and "-" rocker button only)
  - Output Selection, TEACH Selection, Response Speed, Offset Percent, Auto Thresholds, Delays/Timers, Sensitivity Selection, Input Selection, Display Readout, Gain Selection, Factory Defaults (from top panel)
  - Top panel interface lockout (from remote input only)

**Factory Default Settings:** (Single Output Model)

Setting	Factory Default
Threshold	5024
TEACH Selection	Two-Point TEACH
Output Response Time	Standard: 2000 µs
Offset Percent	10%
Auto Thresholds	OFF
OFF Delay	0 (Disabled)
OFF One-Shot	0 (Disabled)
ON Delay	0 (Disabled)
ON One-Shot	0 (Disabled)
Display Readout	Numeric, ECO disabled, Normal Orientation
Gain Selection	Auto Gain

**Factory Default Settings:** (Dual Output Model)

Setting	Factory Default
Output	Lo
Threshold	5024
TEACH Selection	Two-Point TEACH
Output Response Time	Standard: 2000 µs
Offset Percent	10%
Auto Thresholds	OFF
OFF Delay	0 (Disabled)
OFF One-Shot	0 (Disabled)
ON Delay	0 (Disabled)
ON One-Shot	0 (Disabled)
Display Readout	Numeric, ECO disabled, Normal Orientation
Sensitivity Selection	Std
Gain Selection	Auto Gain

**Required Overcurrent Protection**



**WARNING:** Electrical connections must be made by qualified personnel in accordance with local and national electrical codes and regulations.

Overcurrent protection is required to be provided by end product application per the supplied table. Overcurrent protection may be provided with external fusing or via Current Limiting, Class 2 Power Supply. Supply wiring leads < 24 AWG shall not be spliced. For additional product support, go to [www.bannerengineering.com](http://www.bannerengineering.com).

Supply Wiring (AWG)	Required Overcurrent Protection (Amps)
20	5.0
22	3.0
24	2.0
26	1.0
28	0.8
30	0.5

Certifications



## 4.1 Excess Gain Curves

Figure 13. Diffuse—PBT16U

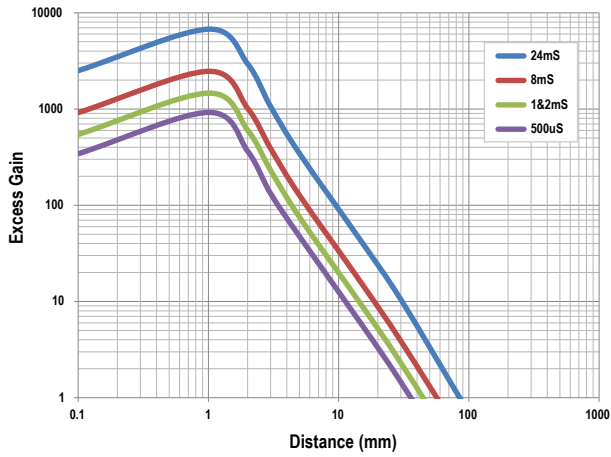


Figure 14. Diffuse—PBT26U

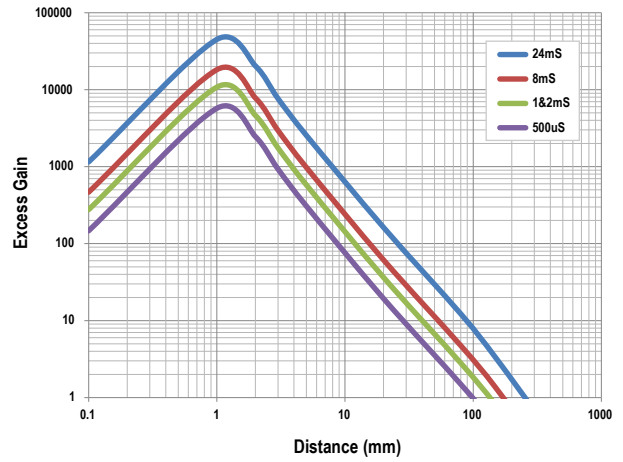


Figure 15. Diffuse—PBT46U

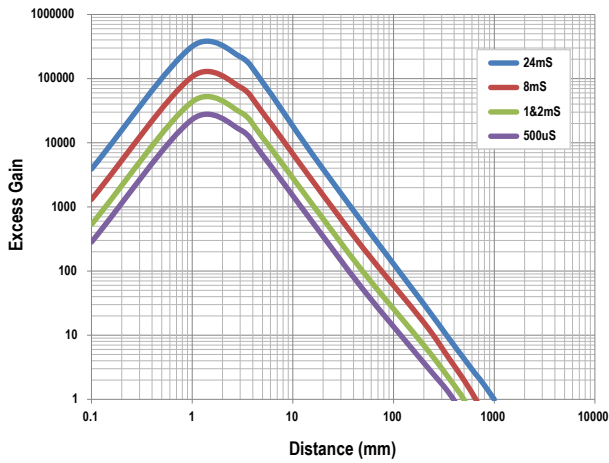


Figure 16. Diffuse—PBT66U

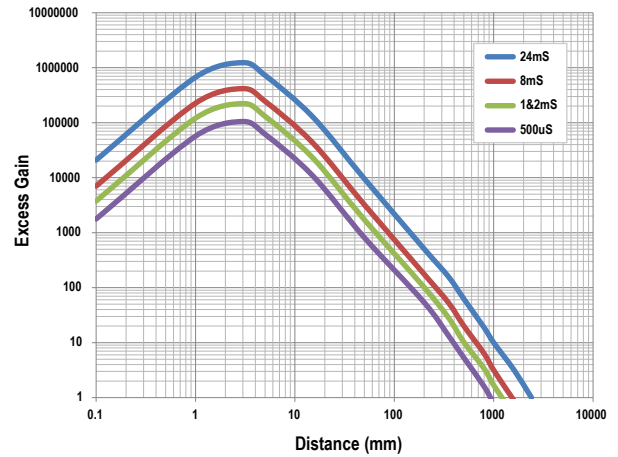


Figure 17. Opposed Mode—PIT16U

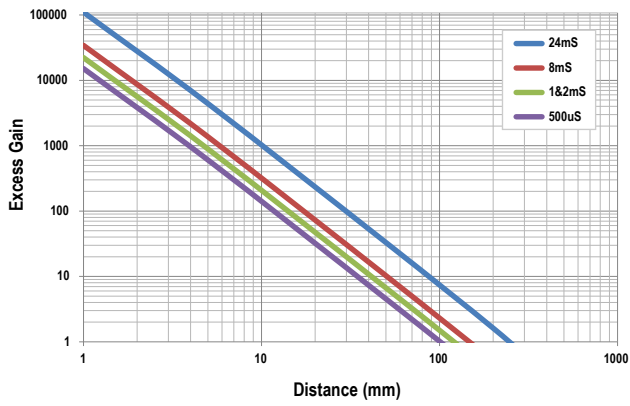


Figure 18. Opposed Mode—PIT26U

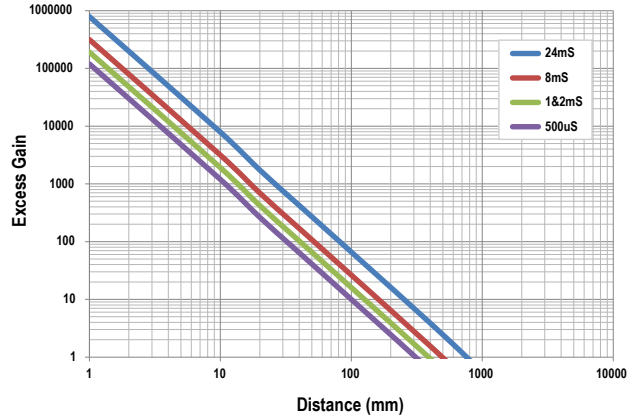


Figure 19. Opposed Mode—PIT46U

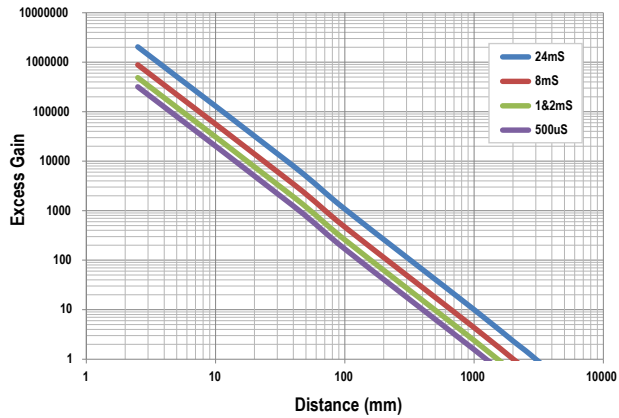
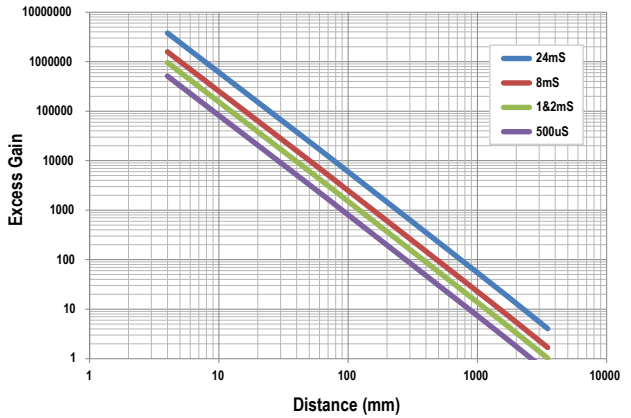


Figure 20. Opposed Mode—PIT66U



**Note:** The length of the fiber optics limits the range for the 8 and 24 ms response speeds.

Figure 21. Diffuse—IR850

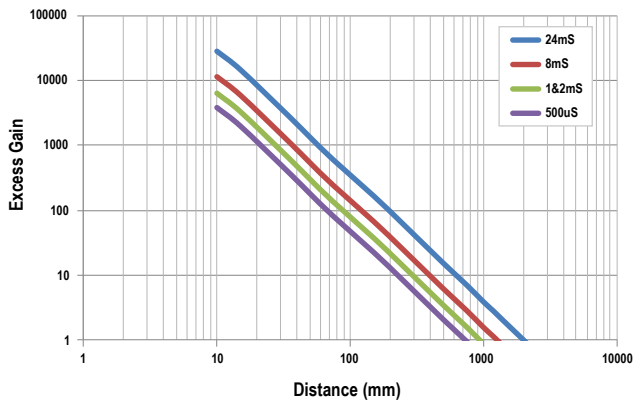
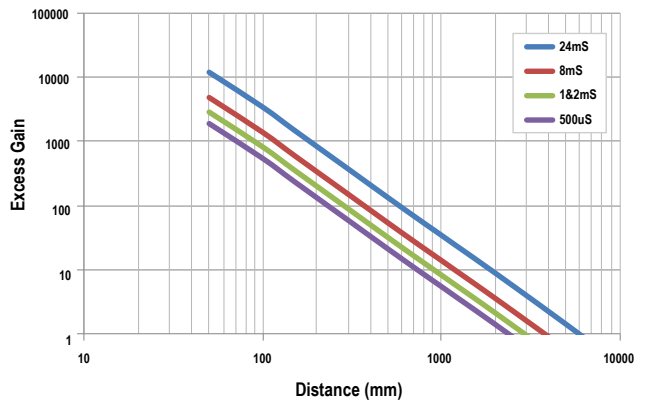


Figure 22. Opposed Mode—IR850



**Note:** BTC1.13.4ST5M6 glass fiber used for diffuse mode



**Note:** IT.83.3ST5M6 glass fiber used for opposed mode

Figure 23. Diffuse—LIR1450

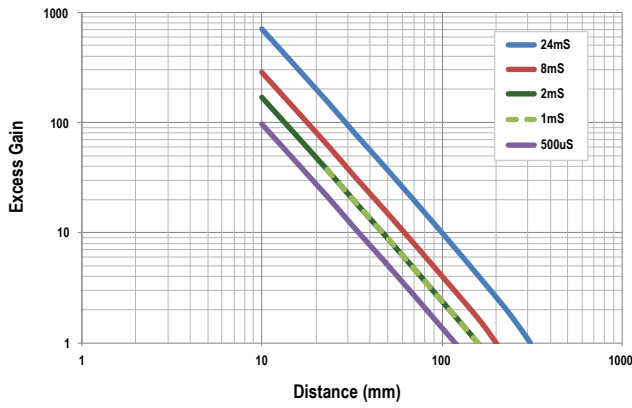
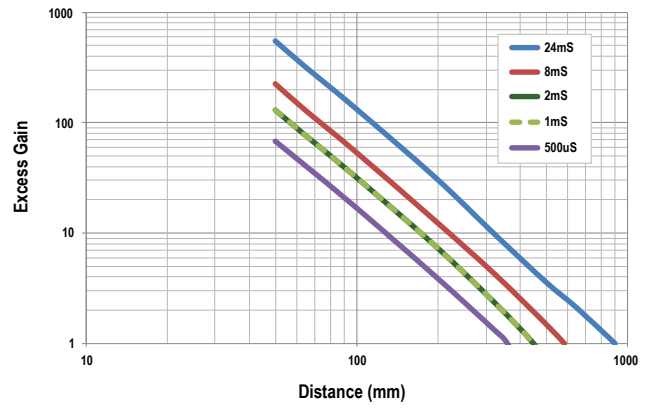


Figure 24. Opposed Mode—LIR1450



## 4.2 Beam Patterns

Figure 25. Diffuse—PBT16U

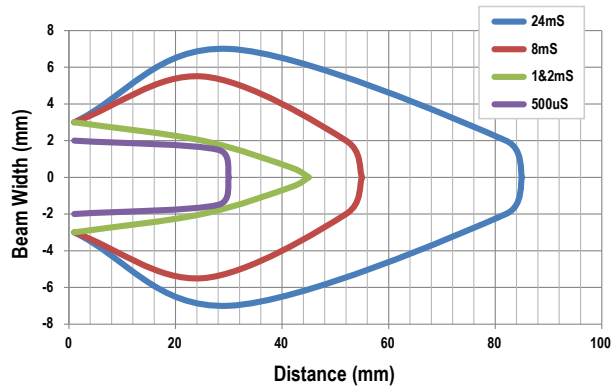


Figure 26. Diffuse—PBT26U

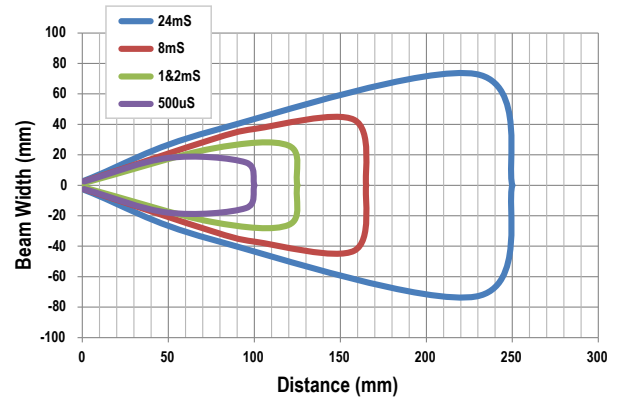


Figure 27. Diffuse—PBT46U

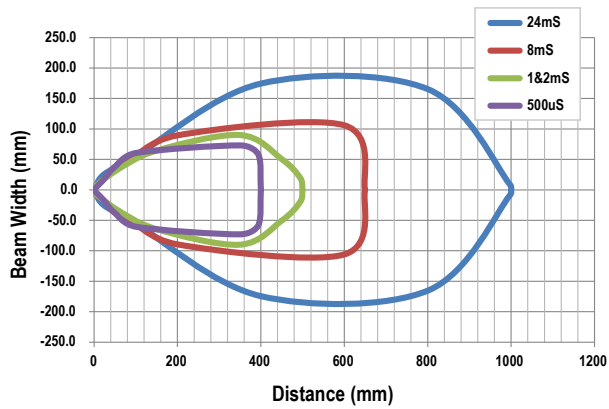


Figure 28. Diffuse—PBT66U

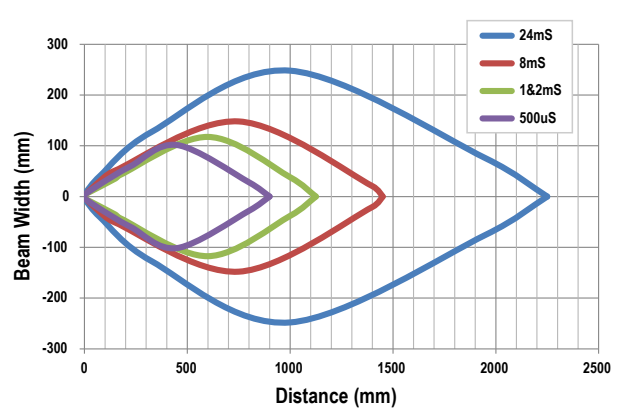


Figure 29. Opposed Mode—PIT16U

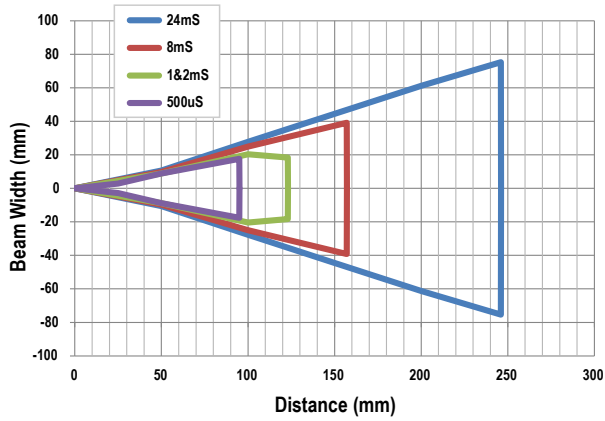


Figure 30. Opposed Mode—PIT26U

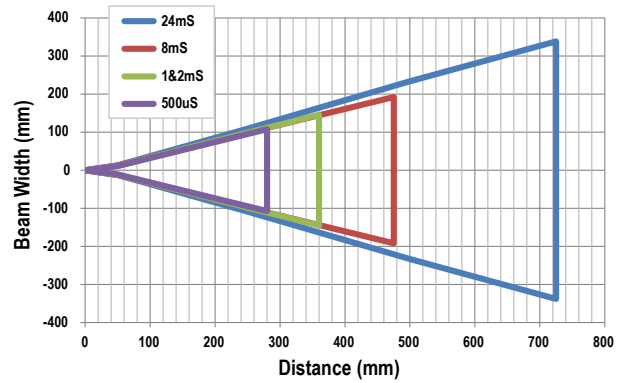


Figure 31. Opposed Mode—PIT46U

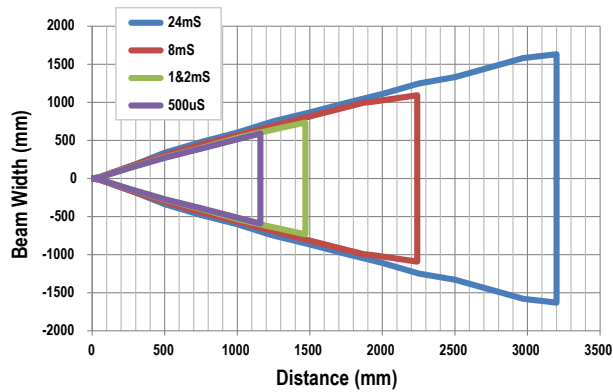


Figure 32. Opposed Mode—PIT66U

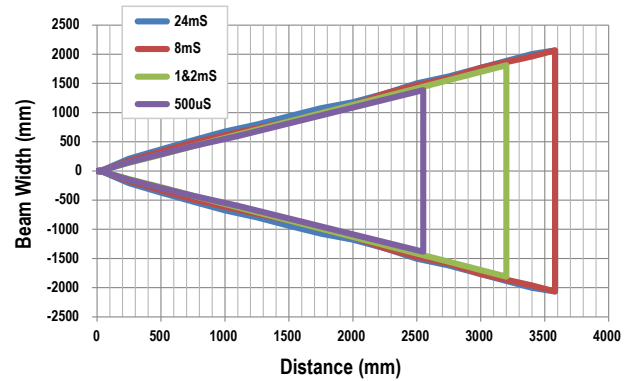


Figure 33. Diffuse—IR850

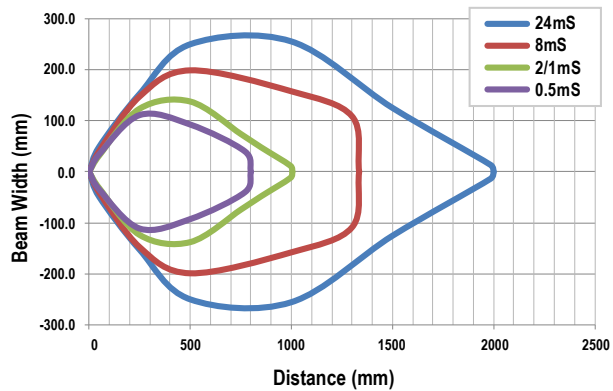
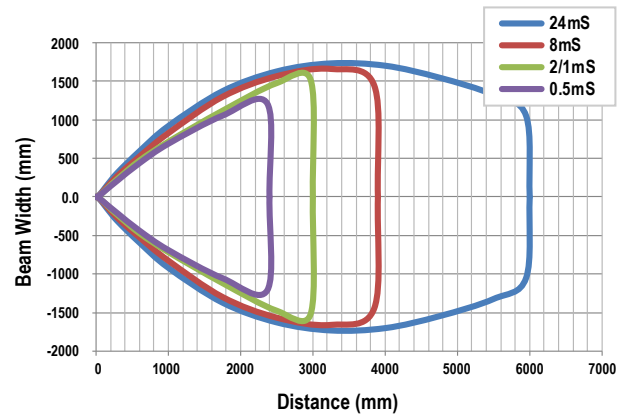


Figure 34. Opposed Mode—IR850



**Note:** BTC1.13.4ST5M6 glass fiber used for diffuse mode



**Note:** IT.83.3ST5M6 glass fiber used for opposed mode



Figure 35. Diffuse—LIR1450

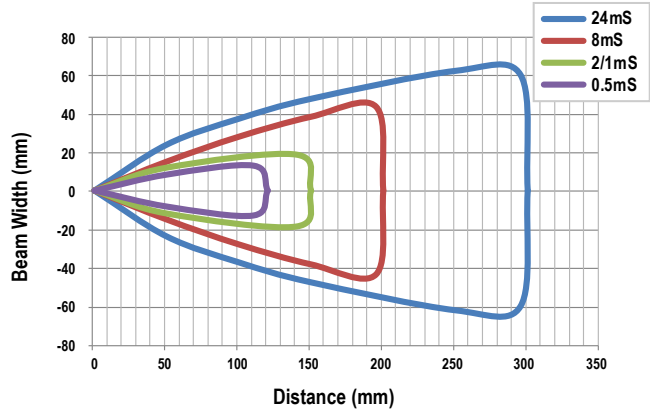
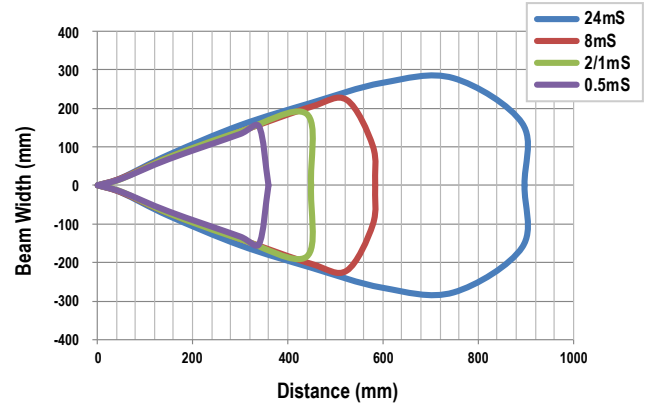
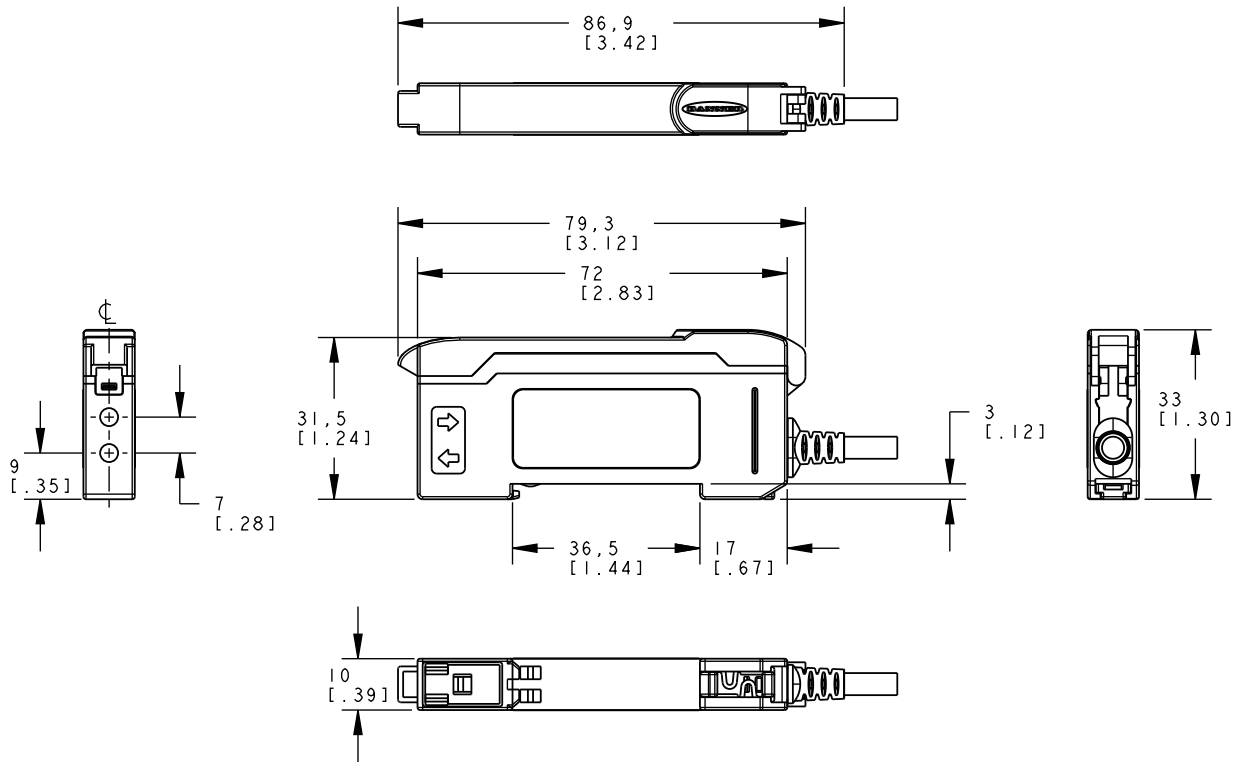


Figure 36. Opposed Mode—LIR1450



### 4.3 Dimensions

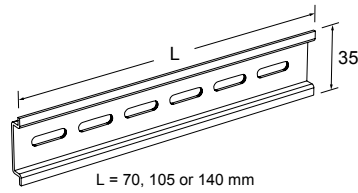


## 5 Accessories

### DIN-35-..

35 mm DIN Rail

Model	Length
DIN-35-70	70
DIN-35-105	105
DIN-35-140	140
DIN-35-180	180
DIN-35-220	220

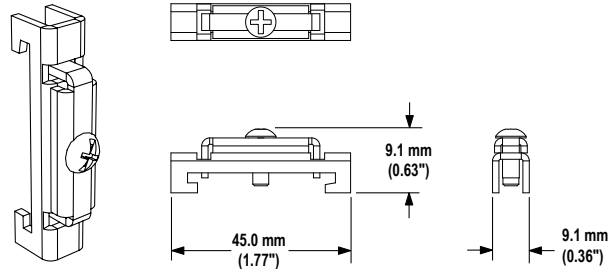


Hole center spacing: 35.1

Hole size: 25.4 x 5.3

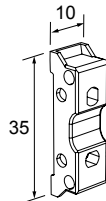
### SA-DIN-CLAMP

- Pair of metal DIN rail end stops; slide onto DIN rail at either side of the sensor stack
- Combination (#2 Phillips, #8 standard slotted) set screw



### SA-DIN-BRACKET

- Plastic bracket with mounting screws

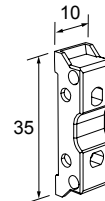


Hole center spacing: A = 16, B = 25.4, C = 15.2

Hole size: A =  $\varnothing$  3.2, B =  $\varnothing$  3.3, C =  $\varnothing$  4.4

### SA-DIN-BRACKET-10

- Package of 10 plastic brackets with mounting screws



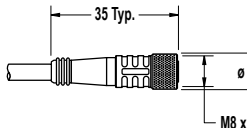

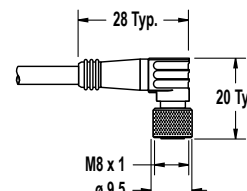
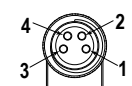
Hole center spacing: A = 16, B = 25.4, C = 15.2

Hole size: A =  $\varnothing$  3.2, B =  $\varnothing$  3.3, C =  $\varnothing$  4.4

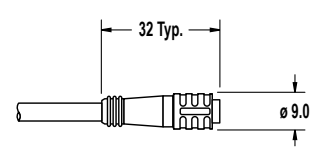
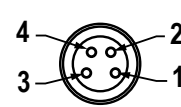
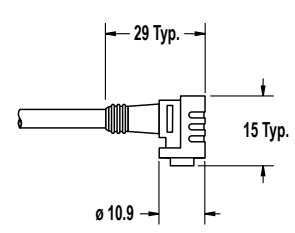
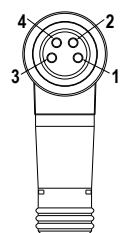
## 5.1 Quick-Disconnect Cordsets—Single Output Models

All measurements are listed in millimeters, unless noted otherwise.

4-Pin Threaded M12 Cordsets—Single Ended					
Model	Length	Style	Dimensions	Pinout (Female)	
MQDC-406	2 m (6.56 ft)	Straight			1 = Brown 2 = White 3 = Blue 4 = Black
MQDC-415	5 m (16.4 ft)				
MQDC-430	9 m (29.5 ft)				
MQDC-450	15 m (49.2 ft)				
MQDC-406RA	2 m (6.56 ft)	Right-Angle			
MQDC-415RA	5 m (16.4 ft)				
MQDC-430RA	9 m (29.5 ft)				
MQDC-450RA	15 m (49.2 ft)				

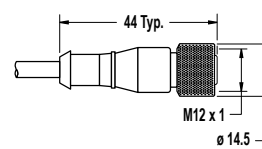
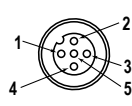
4-Pin Threaded M8 Cordsets—Single Ended				
Model	Length	Style	Dimensions	Pinout (Female)
PKG4M-2	2.04 m (6.68 ft)	Straight		
PKG4M-5	5 m (16.4 ft)			
PKG4M-9	9.04 m (29.6 ft)			
PKW4M-2	2 m (6.56 ft)	Right Angle		
PKW4M-5	5 m (16.4 ft)			
PKW4M-9	9 m (29.5 ft)			

1 = Brown  
 2 = White  
 3 = Blue  
 4 = Black

4-Pin Snap-on M8 Cordsets—Single Ended				
Model	Length	Style	Dimensions	Pinout (Female)
PKG4-2	2.03 m (6.66 ft)	Straight		
PKG4-5	5.03 m (16.5 ft)			
PKG4-10	10 m (32.9 ft)			
PKW4Z-2	2 m (6.56 ft)	Right-Angle		
PKW4Z-5	5 m (16.4 ft)			

1 = Brown  
 2 = White  
 3 = Blue  
 4 = Black

## 5.2 Quick-Disconnect Cordsets—Dual Output Models

5-Pin Threaded M12 Cordsets—Single Ended				
Model	Length	Style	Dimensions	Pinout (Female)
MQDC1-501.5	0.5 m (1.5 ft)	Straight		
MQDC1-506	2 m (6.5 ft)			
MQDC1-515	5 m (16.4 ft)			
MQDC1-530	9 m (29.5 ft)			

1 = Brown  
 2 = White  
 3 = Blue  
 4 = Black  
 5 = Gray

5-Pin Threaded M12 Cordsets—Single Ended				
Model	Length	Style	Dimensions	Pinout (Female)
MQDC1-506RA	2 m (6.5 ft)	Right-Angle		
MQDC1-515RA	5 m (16.4 ft)			
MQDC1-530RA	9 m (29.5 ft)			

5-Pin Threaded M8 Cordsets—Single Ended				
Model	Length	Style	Dimensions	Pinout (Female)
PKG5M-2	2 m (6.56 ft)	Straight		<p>1 = Brown 2 = White 3 = Blue 4 = Black 5 = Gray 6 = N.C.</p>
PKG5M-5	5 m (16.4 ft)			
PKG5M-9	9 m (29.5 ft)			
PKW5M-2	2 m (6.56 ft)	Right Angle		
PKW5M-5	5 m (16.4 ft)			
PKW5M-9	9 m (29.5 ft)			

6-Pin Snap-on M8 Cordsets—Single Ended				
Model	Length	Style	Dimensions	Pinout (Female)
PKG6Z-2	2 m (6.56 ft)	Straight		<p>1 - brown 2 = White 3 = Blue 4 = Black 5 = Gray 6 = Pink</p>
PKG6Z-9	9 m (29.53 ft)			
PKW6Z-2	2 m (6.56 ft)	Right-angle		
PKW6Z-9	9 m (29.53 ft)			

## 5.3 Banner Engineering Corp. Limited Warranty

---

Banner Engineering Corp. warrants its products to be free from defects in material and workmanship for one year following the date of shipment. Banner Engineering Corp. will repair or replace, free of charge, any product of its manufacture which, at the time it is returned to the factory, is found to have been defective during the warranty period. This warranty does not cover damage or liability for misuse, abuse, or the improper application or installation of the Banner product.

**THIS LIMITED WARRANTY IS EXCLUSIVE AND IN LIEU OF ALL OTHER WARRANTIES WHETHER EXPRESS OR IMPLIED (INCLUDING, WITHOUT LIMITATION, ANY WARRANTY OF MERCHANTABILITY OR FITNESS FOR A PARTICULAR PURPOSE), AND WHETHER ARISING UNDER COURSE OF PERFORMANCE, COURSE OF DEALING OR TRADE USAGE.**

This Warranty is exclusive and limited to repair or, at the discretion of Banner Engineering Corp., replacement. **IN NO EVENT SHALL BANNER ENGINEERING CORP. BE LIABLE TO BUYER OR ANY OTHER PERSON OR ENTITY FOR ANY EXTRA COSTS, EXPENSES, LOSSES, LOSS OF PROFITS, OR ANY INCIDENTAL, CONSEQUENTIAL OR SPECIAL DAMAGES RESULTING FROM ANY PRODUCT DEFECT OR FROM THE USE OR INABILITY TO USE THE PRODUCT, WHETHER ARISING IN CONTRACT OR WARRANTY, STATUTE, TORT, STRICT LIABILITY, NEGLIGENCE, OR OTHERWISE.**

Banner Engineering Corp. reserves the right to change, modify or improve the design of the product without assuming any obligations or liabilities relating to any product previously manufactured by Banner Engineering Corp. Any misuse, abuse, or improper application or installation of this product or use of the product for personal protection applications when the product is identified as not intended for such purposes will void the product warranty. Any modifications to this product without prior express approval by Banner Engineering Corp will void the product warranties. All specifications published in this document are subject to change; Banner reserves the right to modify product specifications or update documentation at any time. Specifications and product information in English supersede that which is provided in any other language. For the most recent version of any documentation, refer to: [www.bannerengineering.com](http://www.bannerengineering.com).

For patent information, see [www.bannerengineering.com/patents](http://www.bannerengineering.com/patents).

# Mouser Electronics

Authorized Distributor

Click to View Pricing, Inventory, Delivery & Lifecycle Information:

## [Banner Engineering:](#)

[DF-G3-NS-2M](#) [DF-G3IR-ND-2M](#) [DF-G3IR-ND-Q5](#) [DF-G3IR-ND-Q7](#) [DF-G3IR-NS-2M](#) [DF-G3IR-NS-Q5](#) [DF-G3IR-PD-2M](#) [DF-G3IR-PD-Q5](#) [DF-G3IR-PD-Q7](#) [DF-G3IR-PS-2M](#) [DF-G3IR-PS-Q5](#) [DF-G3IR-PS-Q7](#) [DF-G3LIR-NS-2M](#) [DF-G3LIR-NS-Q5](#) [DF-G3LIR-PD-2M](#) [DF-G3LIR-PD-Q5](#) [DF-G3LIR-PS-2M](#) [DF-G3LIR-PS-9M](#) [DF-G3LIR-PS-Q3](#) [DF-G3LIR-PS-Q5](#) [DF-G3LIR-PS-Q7](#) [DF-G3-ND-2M](#) [DF-G3-ND-Q3](#) [DF-G3-ND-Q5](#) [DF-G3-ND-Q7](#) [DF-G3-NS-9M](#) [DF-G3-NS-Q3](#) [DF-G3-NS-Q5](#) [DF-G3-NS-Q7](#) [DF-G3-PD-2M](#) [DF-G3-PD-Q3](#) [DF-G3-PD-Q5](#) [DF-G3-PD-Q7](#) [DF-G3-PS-2M](#) [DF-G3-PS-9M](#) [DF-G3-PS-Q3](#) [DF-G3-PS-Q5](#) [DF-G3-PS-Q7](#)