

# ESRP-CMS-U2271V2

## ThinManager enabled Pocket-Size Edge IoT Thin Client with Intel® Celeron® N6210



### Features

- Verified with ACP ThinManager, ACP BIOS enabled
- Intel® Celeron® N6210, 2 x GbE, 2 x USB 3.2 Gen 1, and 1 x HDMI 1.4
- Compact, robust, fanless, and cable-free system with modular design

### Introduction

Advantech ThinManager compatible industrial thin clients exclusively integrate with ThinManager® software and are verified for ThinManager distributed applications. The thin clients are used to display content delivered from a remote ThinManager server. Multiple thin clients set up across the plant or facility with various roles and all maintained by the ThinManager server. All content remains on the server so downtime is reduced in the event of a failure. ESRP-CMS-U2271V2 is ThinManager enabled Pocket-Size Edge IoT Thin Client with Intel® Celeron® N6210 and single display (HDMI \*1, USB 3.2 Gen1\*2).

### Specifications

#### General

- **Certification** CE, FCC, UL, CCC, BSMI
- **Dimensions (W x D x H)** 100 x 70 x 30 mm/3.9 x 2.8 x 1.2 in
- **Enclosure** Aluminum
- **Mount Options** Stand, wall, VESA (optional), DIN rail (optional)
- **Weight (Net)** 0.5 kg/1.1 lb
- **Power Requirement** 10 ~ 30V<sub>DC</sub>
- **Power Consumption** 12W (typical), 30W (max.)
- **Software Compatibility** Thin Manager

#### System Hardware

- **BIOS** AMI UEFI x64
- **Watchdog Timer** Programmable interval timer, from 1 to 255 seconds
- **Processor** Intel® Celeron® N6210 dual-core (1.2 GHz)
- **Memory** 4 GB DDR4 2666 MHz onboard
- **Graphics Engine** Intel® UHD Graphics
- **Ethernet** 2 x i211AT/i210AT
- **LED Indicators** Power, Run (programmable), LAN (active, status)

#### I/O Interfaces

- **LAN Ports** 2 x RJ45, 10/100/1000 Mbps IEEE 802.3u  
1000BASE-T Fast Ethernet
- **USB Ports** 2 x USB 3.2 Gen 1
- **Display Output** 1 x HDMI (1920 x 1080 @60Hz)
- **Power Connector** 1 x 2-pin terminal block

#### Environment

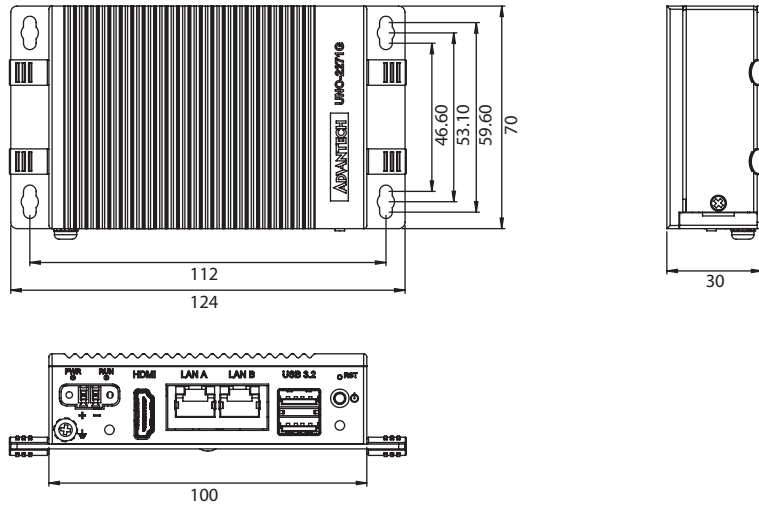
- **Operating Temperature** -20 ~ 60 °C (-4 ~ 140 °F) with 0.7m/s airflow
- **Storage Temperature** -40 ~ 85 °C / -40 ~ 185 °F
- **Relative Humidity** Operating, 95% RH @ 40° C, Non-Condensing  
Non-Operating, 95% RH @ 60° C, Non-Condensing
- **Shock Protection** Operating, IEC 60068-2-27, 50G, half sine, 11 ms
- **Vibration Protection** Operating, IEC 60068-2-64, 2 Grms, random,  
5 ~ 500 Hz, 1hr/axis (mSATA)
- **Ingress Protection** IP30

### Ordering Information

- **ESRP-CMS-U2271V2** ThinManager enabled Pocket-Size Edge IoT Thin Client with Intel® Celeron® N6210

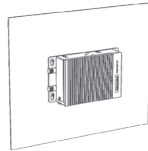
## Dimensions

Unit: mm

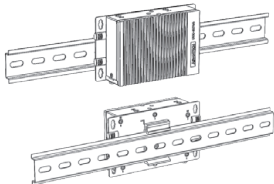


## Installation Scenarios

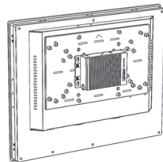
### Stand/Wall Mount



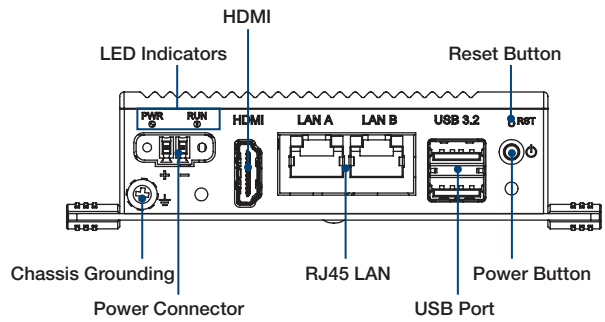
### DIN-Rail Mount (optional)



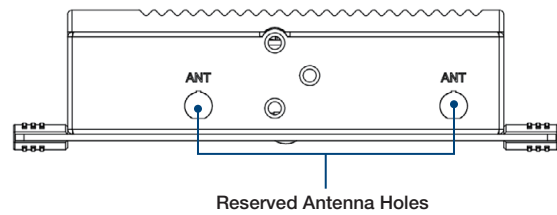
### VESA Mount (optional)



## Front I/O



## Rear I/O



# Mouser Electronics

Authorized Distributor

Click to View Pricing, Inventory, Delivery & Lifecycle Information:

[Advantech:](#)

[ESRP-CMS-U2271V2](#)