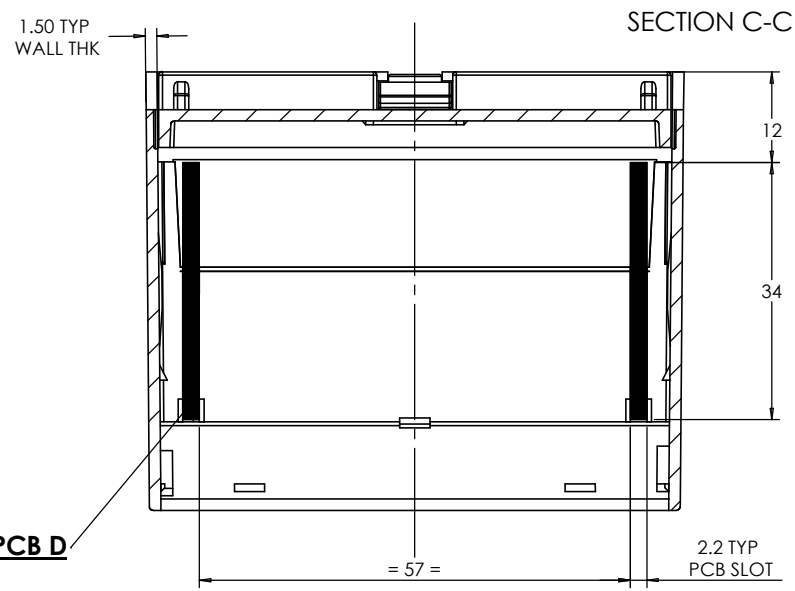
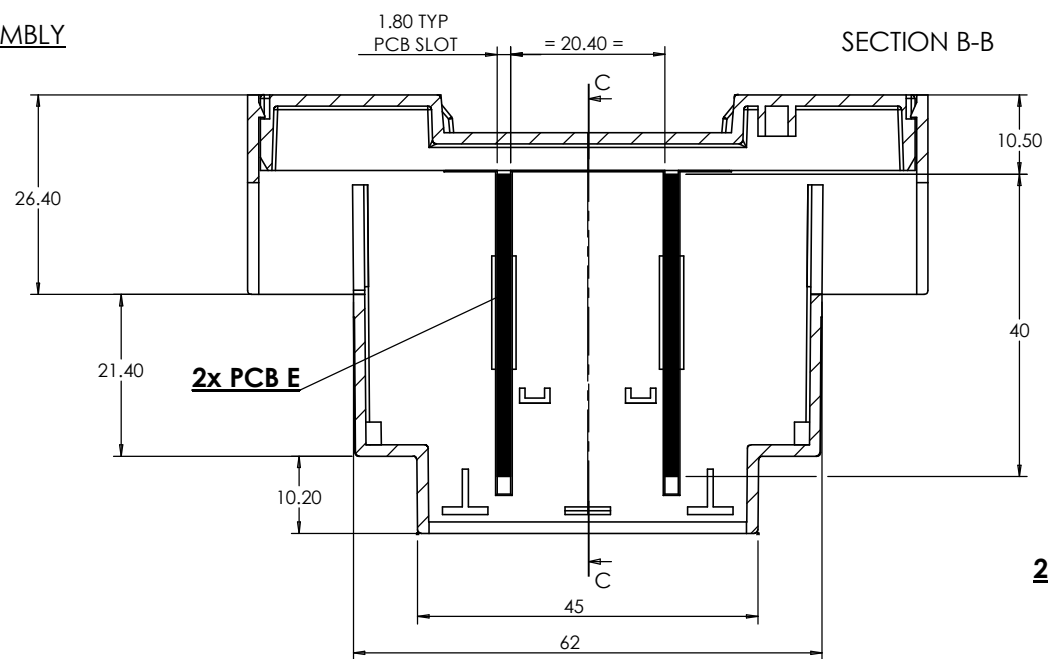
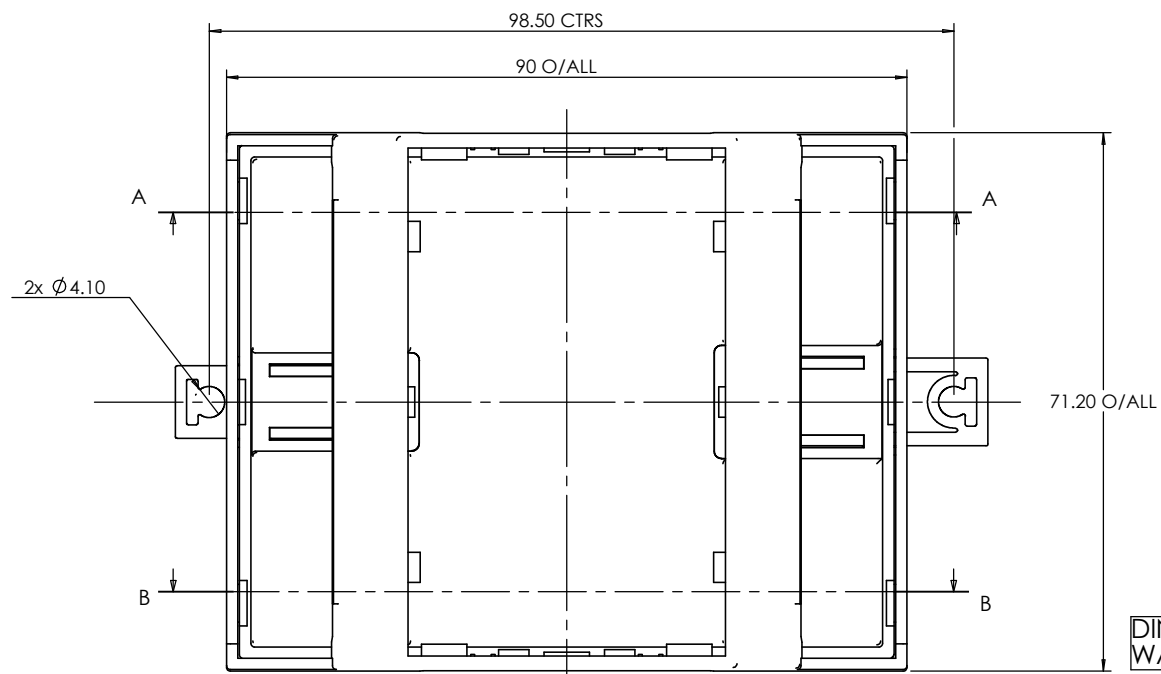
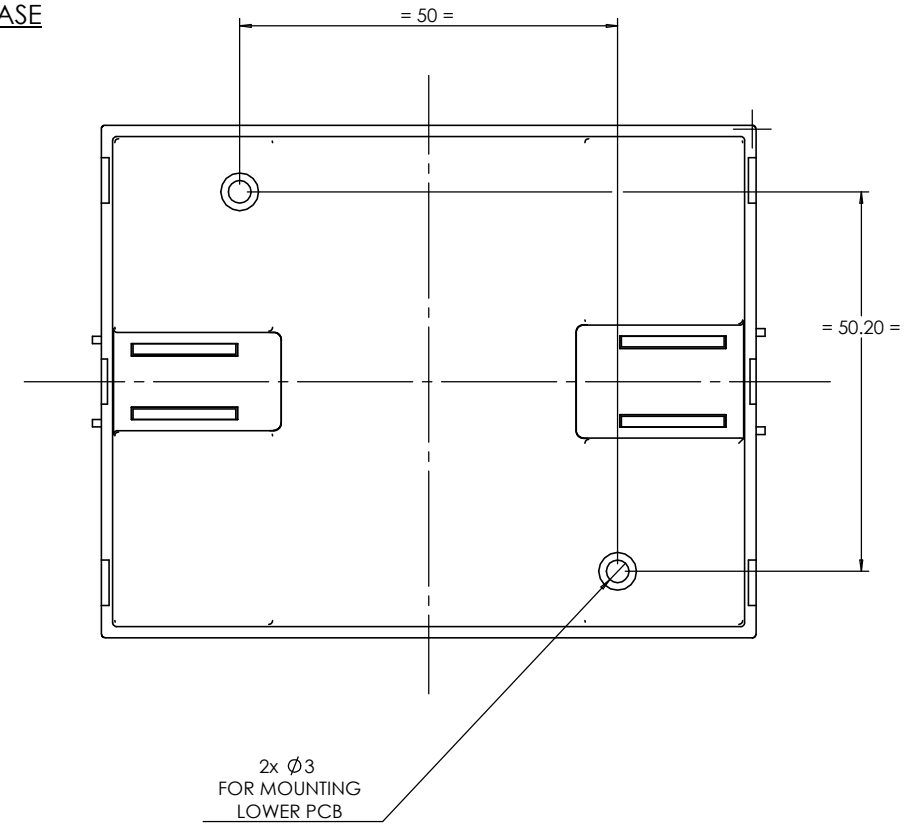


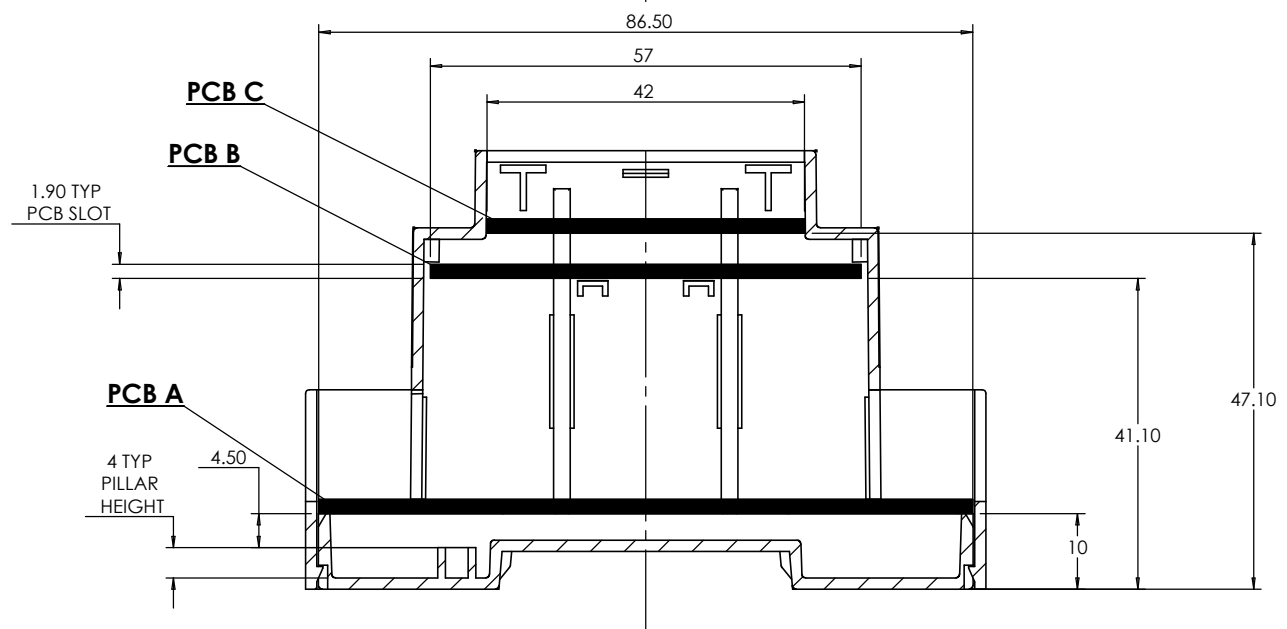
ASSEMBLY



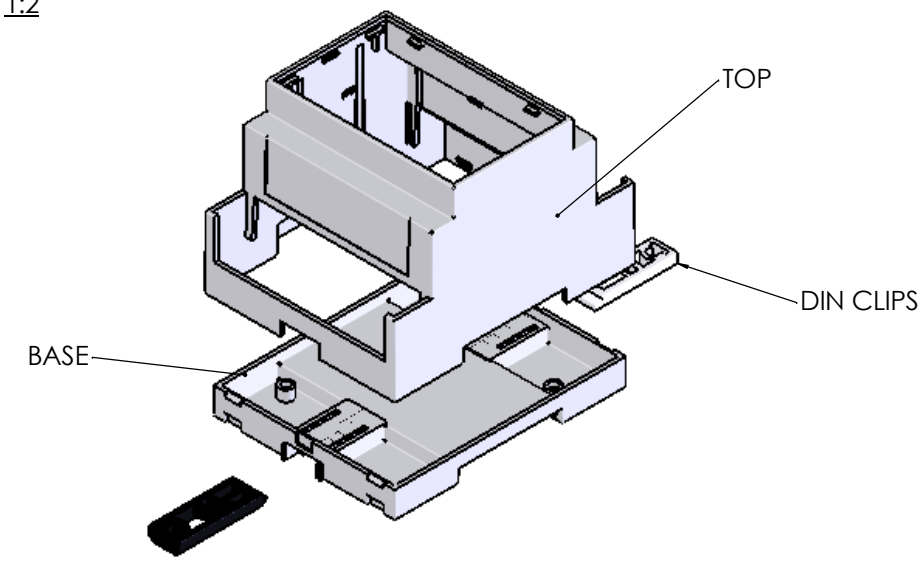
BASE



DIN CLIPS ARE SHOWN IN WALL MOUNTING POSITION



ISO VIEW
1:2



PCB DIMENSIONS (mm)	
A	86.5 x 68
B	57 x 67
C	42 x 67
D	34 x 59.6
E	40 x 68



JAMES CARTER RD, MILDENHALL, SUFFOLK IP28 7DE
 TEL: 01638 716101 FAX: 01638 716554
 EMAIL: Sales@CamdenBoss.com
 WEB: www.CamdenBoss.com

NAME	SIGNATURE	DATE
DRAWN: L SUBKHANKULOVA	LS	14/01/10
CHK'D: STUART HARDINGE	SJH	14/01/10

UNLESS OTHERWISE SPECIFIED:
 DIMENSIONS ARE IN MILLIMETERS

FINISH: SMOOTH

MATERIAL: UV94-V0 PC

PROJECTION:

DO NOT SCALE DRAWING	REVISION: 0
TITLE: GNL ASSY DRG FOR CNMB SERIES	DWG NO. CNMB-4-2
SCALE 1:1	SHEET 1 OF 1

A3