

## Data sheet

Art.No.: 92.932.3053.0

Connector GST18I3S S1 ZR1 WS

GST18i3 connector, 3 pole, male with screw connection, coding mains 250 V, 20 A, coding color white, strain relief color white



Art.No.	92.932.3053.0
EAN	4015573721869
Order Unit	1

Certificates / Approvals



## Technical data

### General

Rated current	20 A
Rated voltage	250 V
Rated impulse voltage	4 kV
strain relief	Yes
Pollution degree	2
Mechanical coding	Code 1
Lockable	self-locking (unlocking by tool)
Color of coding/ contact carrier	white
Marking of poles	L, N, PE
Color of housing inclusive strain relief	white

### Connection Data

Cable diameter max.	10.5 mm
Cable diameter min.	6.5 mm
Connection cross section solid mm <sup>2</sup> max.	2.5 mm <sup>2</sup>
Connection cross section solid mm <sup>2</sup> min.	0.75 mm <sup>2</sup>
Connection cross section fine stranded mm <sup>2</sup> max.	2.5 mm <sup>2</sup>
Connection cross section fine stranded mm <sup>2</sup> min.	0.75 mm <sup>2</sup>
Terminations per pole	1
sheath strip length	38.5 mm
Wire strip length	7 mm

### Model

Model	male
Connection type	Screw connection
Degree of protection (IP)	IP20

### Material

Housing material	Polyamide
------------------	-----------

halogen free	Yes
Contact material	CuZn
Fire load	0.093 kWh
Insulation components continuous temperature	100 °C
Surface finish	Tin-plated

**Dimensions**

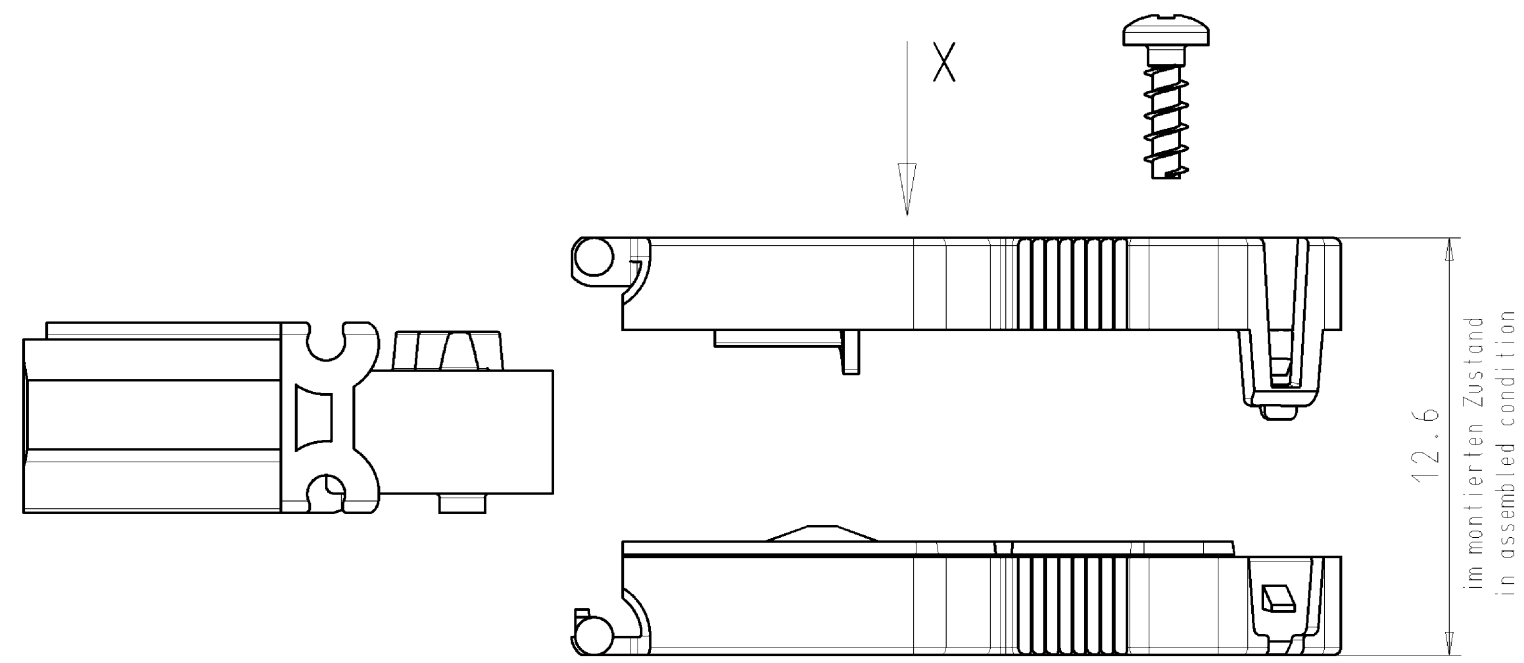
Length	69.4 mm
Width	28.2 mm
Height	12.6 mm

**Classification**

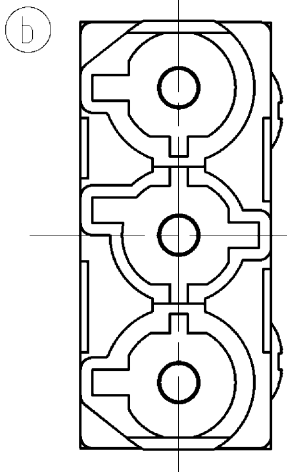
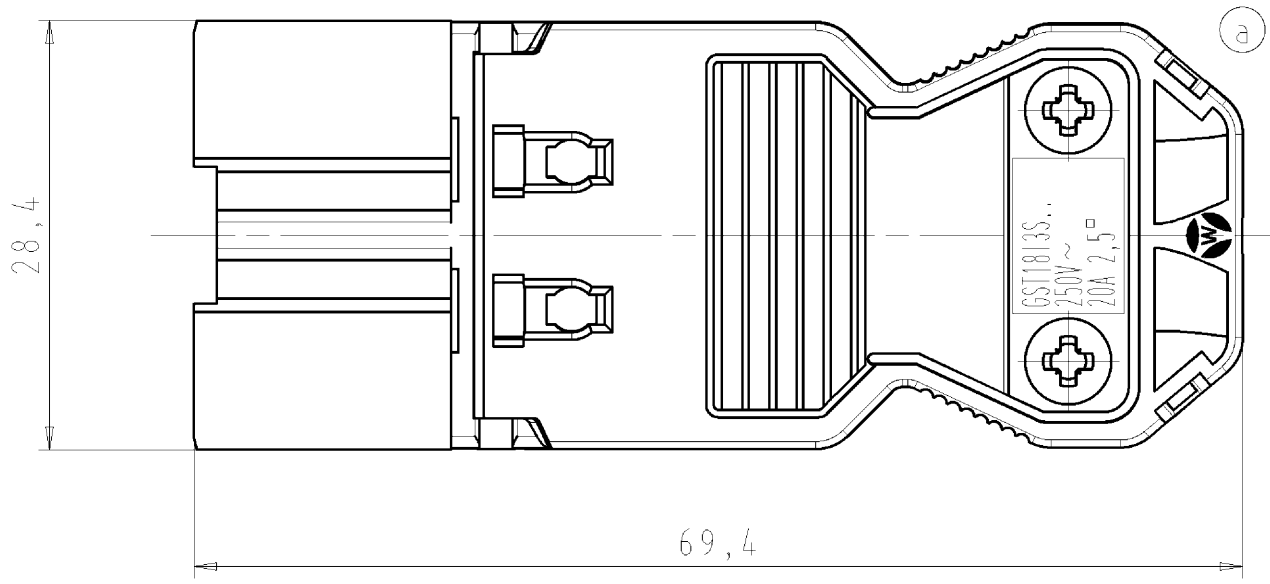
ECLASS 8.1	27440605
ETIM 7.0	EC002560
ETIM 6.0	EC002560
ETIM 5.0	EC002560
ETIM 4.0	EC002560

These dimensions will be especially checked at delivery  
 Only inspection dimensions  
 With /E marked dimensions are only valid for internal use

Diese Maße werden bei Abnahme besonders geprüft  
 Ausschließliche Prüfmaße  
 Mit /E gekennzeichnete Maße sind nur für interne Zwecke gültig

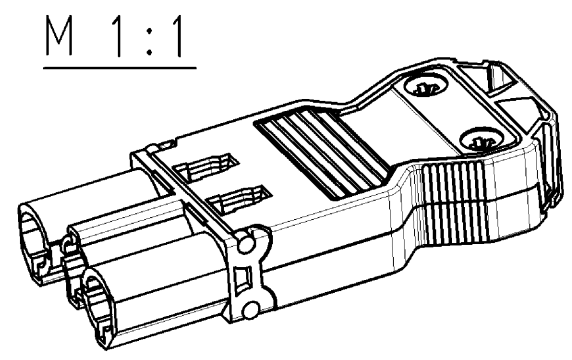


Ansicht in Pfeilrichtung X im montiertem Zustand  
 view in arrow direction X, drawn in assembled condition



Weitere Daten siehe Katalog  
 further data see catalog

Teile-Nr. part-no	Farbe colour	Typ type
92.932.3053.0	weiß white	GST1813S S1 ZR1 WS
92.932.3053.1	schwarz black	GST1813S S1 ZR1 SW



Tolerierung Size ISO 14405 (E) / Tolerance system Size ISO 14405 (E). (This ISO-standard describes the envelope principle. According to the envelope principle the deviations of form and parallelism are limited by the size tolerances).				ja/yes <input checked="" type="checkbox"/> Stoffverbots- und Deklarationsliste nach UU-TOM-05/03 ist einzuhalten. Conformity with Wieland document UU-TOM-05/03 (list of prohibited / declarable hazardous substances) to be declared!			
Freitoleranz nach - General tolerance		CAD - Zeichnung, keine manuellen Änderungen CAD - drawing, no manual modifications allowed		1. Verwendung: - First Use:		Blatt: 1 von 1 Sheet: of	
		Werkstoff/Material		2005	Tag/Date	Name	
				gezeichnet drawn	22.09.	Schmitt J.	
		Maßstab/Scale		geprüft checked	-	T	
		x		Normgepr. Stand. check	-	92.932.3053.0 01K b	
		Vol. mm³		Ofl./Surf. mm²		Ersatz für/Replacement for: -	
b 21.01.2013/ a 22.10.2012/		wieland		Type		Benennung/Titel MALE CONNECTOR WITH STRAIN RELIEF STECKERTEIL MIT ZUGENTLASTUNG	
Index Datum / Blatt Date / Sheet		Elektrische Verbindungen		s. Tabelle see table		Install.-Steckverb. m. Schraubanschl./connector with screw connection a) 250V AC 20A 2,5qmm	
Änderung/Revision							

Weitergabe sowie Vervielfältigung dieses Dokuments, Verwertung und Mitteilung seines Inhalts sind verboten, soweit nicht ausdrücklich gestattet.  
 The reproduction, distribution and utilization of this document as well as the communication of its contents to others without express authorization is prohibited.

929323053001K\_2\_CADW3029\_Schmitt\_2013-01-21T08:36:40 1.000