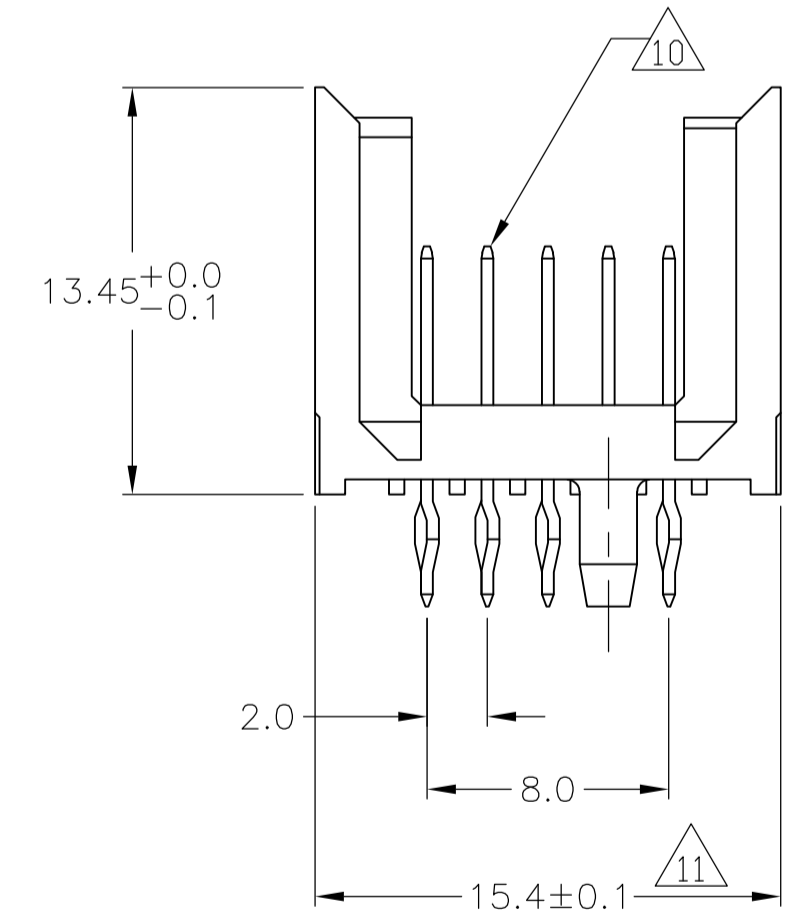
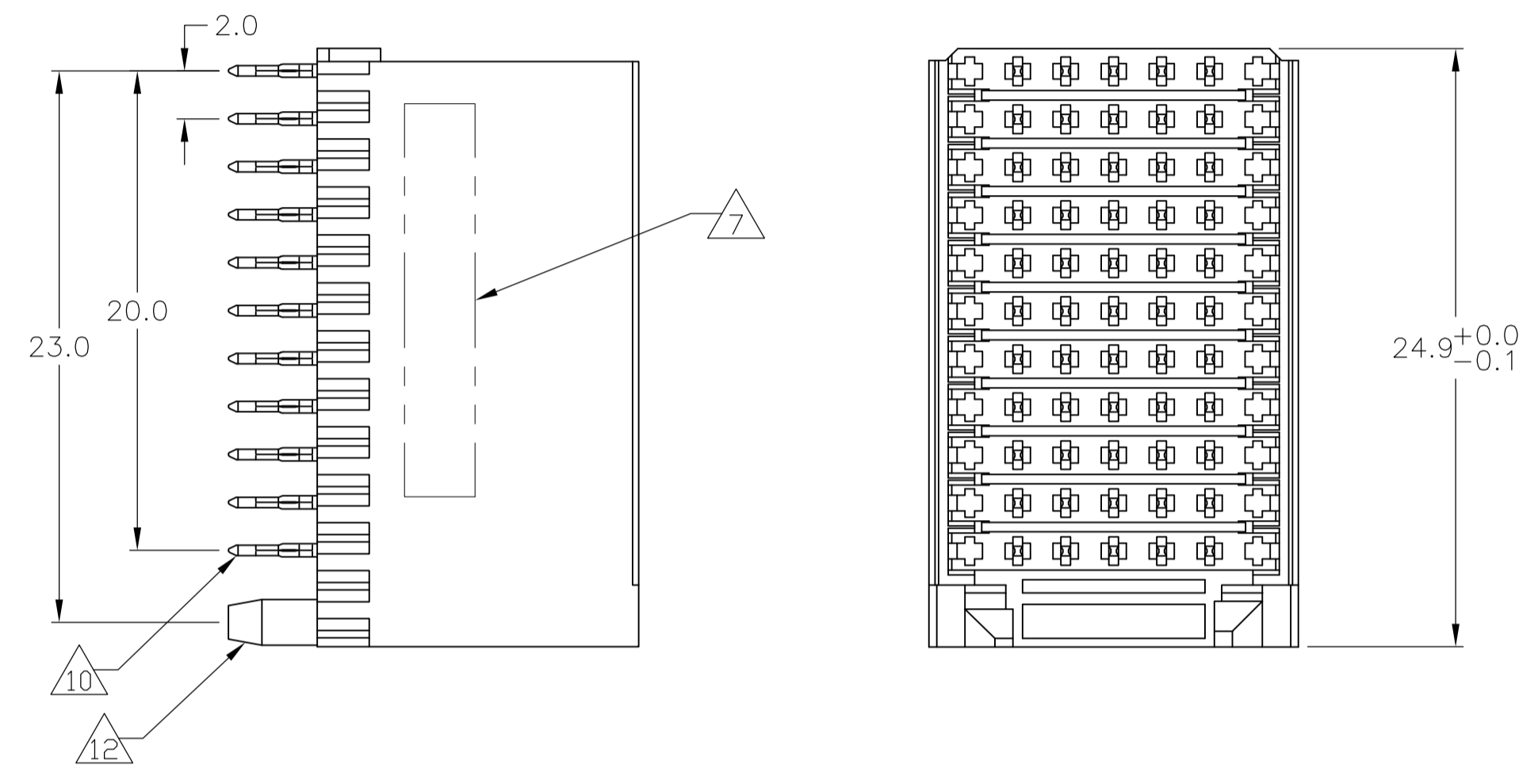
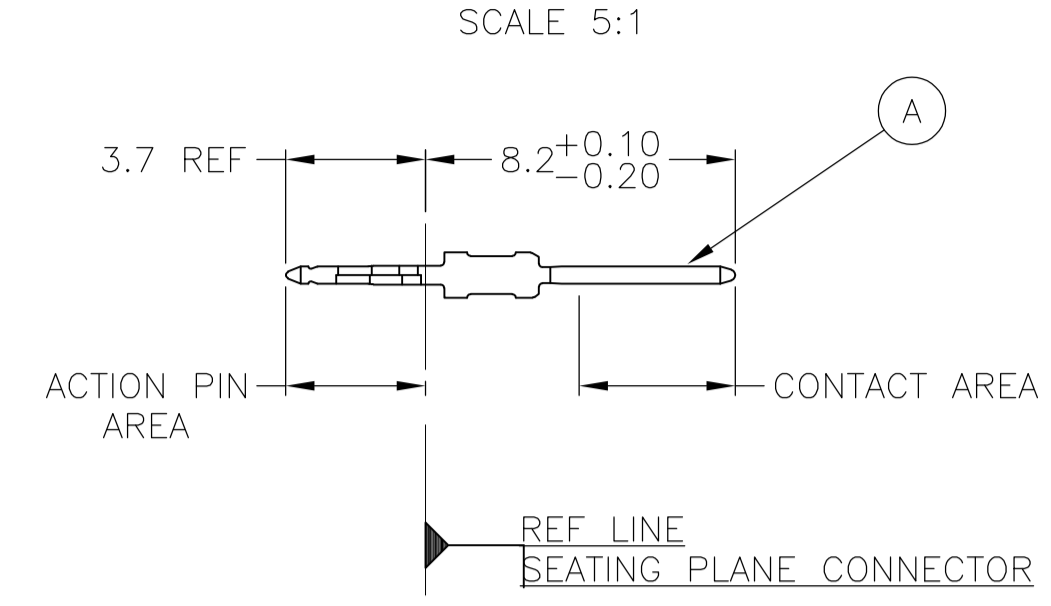


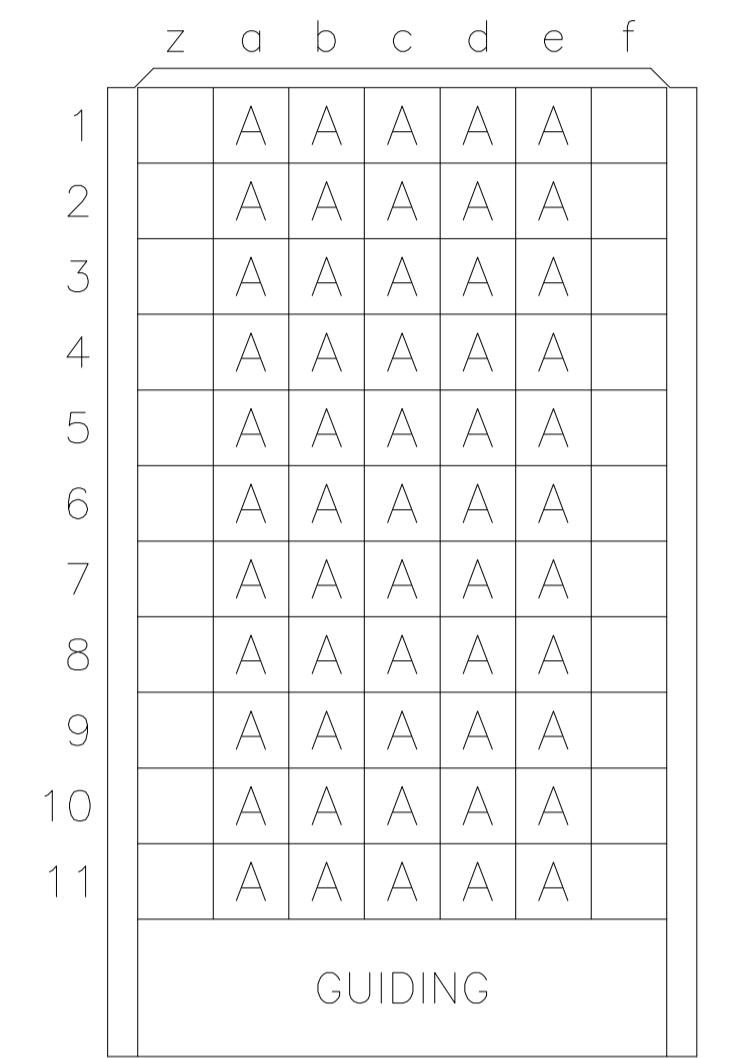
### CONNECTOR ASSEMBLY EXAMPLARY LOADED



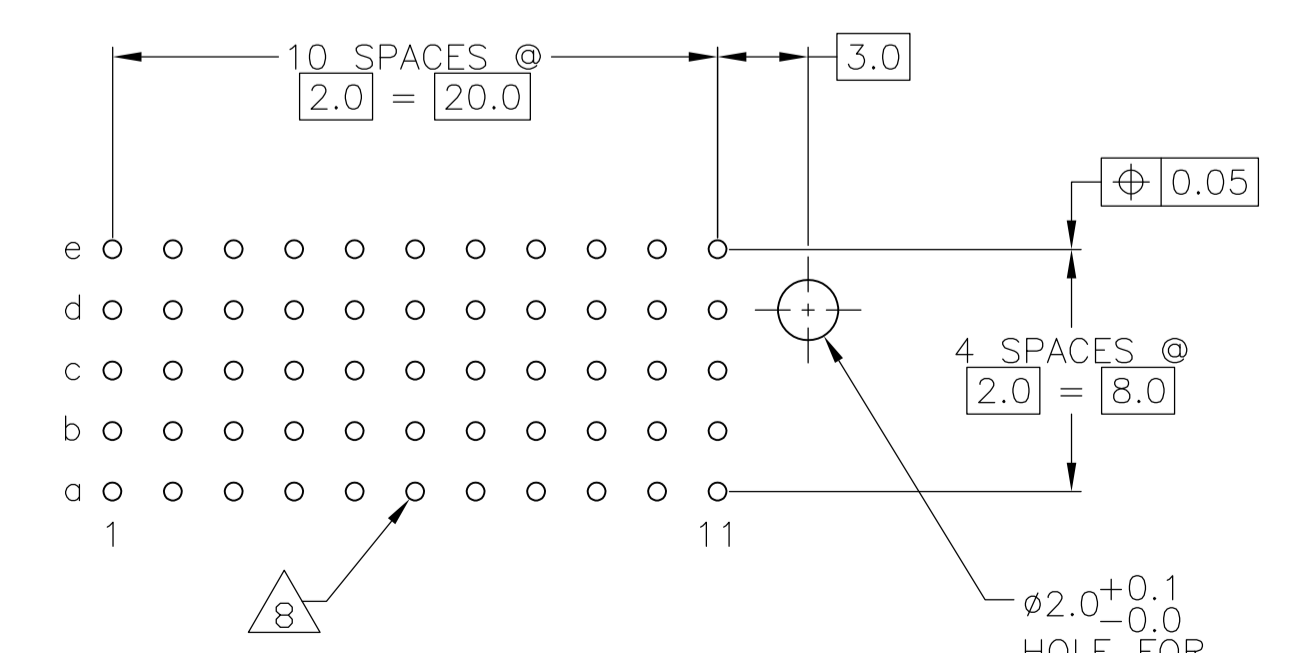
### CONTACT DIMENSIONS



### CONTACT LAYOUT



### RECOMMENDED PCB-HOLE LAYOUT COMPONENT SIDE SHOWN




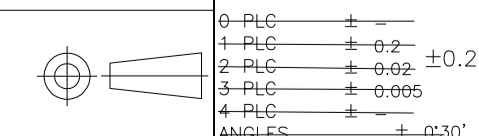
### PLATED THRU HOLES PARAMETERS REFERENCE APPLICATION SPECIFICATION

2 3 14	3-100159-0
2 6 13	1-100159-9
2 5 13	100159-9
2 4	100159-4
2 3	100159-1
FINISH	PART NUMBER

THIS DRAWING IS A CONTROLLED DOCUMENT.		DIN F. BEUN 08OCT98	TE Connectivity	
DIMENSIONS: mm		CHK: R. LEEF 08OCT98	NAME: MALE ASSEMBLY, Z-PACK 2mm HM, TYPE C	
TOLERANCES UNLESS OTHERWISE SPECIFIED:		APVD: F. KONINGSBRUGGE	PRODUCT SPEC: 108-19082	
0-PLG ±		APPLICATION SPEC: 114-19029	RESTRICTED TO: -	
1-PLG ±0.2		SIZE: A1	CAGE CODE: 00779	DRAWING NO: 100159
2-PLG ±0.02		WEIGHT: -	SCALE: 4:1	
3-PLG ±0.005		CUSTOMER DRAWING		
4-PLG ±		SHEET 1 OF 2		
ANGLES: ±0.30°		REV M1		
MATERIAL: 1		SEE TABLE		

LOC	DIST	REVISIONS			
AD	00	REV	DATE	BY	APPV
-	-	1	SEE SHEET 1	-	-

- 1 MATERIAL:  
CONTACT: PHOSPHOR BRONZE.  
HOUSING: GLASS-FILLED POLYESTER.
- 2 GENERAL PLATING SPECIFICATION: UNDERPLATING  
(ENTIRE CONTACT): 1.27µm MIN NICKEL AND ACTION  
PIN: 0.5µm MIN TIN/LEAD.  
FOR PLATING OF MATING SURFACES SEE APPLICABLE  
SPECIFICATION REFERENCE FOR EACH DASH NUMBER.
- 3 CONFORMS TO ALL TESTING ACCORDING TO IEC 61076-4-101  
PERFORMANCE LEVEL 2.
- 4 CONFORMS TO ALL TESTING ACCORDING TO IEC 61076-4-101  
PERFORMANCE LEVEL 1.
- 5 CONNECTOR TESTED AND QUALIFIED AGAINST TELCORDIA GR-1217-CORE QUALITY LEVEL 3,  
CENTRAL OFFICE APPLICATIONS.
- 6 CONNECTOR TESTED AND QUALIFIED AGAINST TELCORDIA GR-1217-CORE QUALITY LEVEL 3,  
UNCONTROLLED ENVIROMENT APPLICATIONS.
- 7 CONNECTOR MARKED WITH PART NUMBER AND DATE CODE.  
ADDITIONAL CHARACTERS OR MARKINGS, AS WELL AS THE LOCATION OF THE MARKINGS,  
MAY BE ADDED FOR TRACEABILITY BASED UPON MANUFACTURERS DISCRETION.
- 8 PLATED-THROUGH HOLES AT 2x2mm SQUARE GRID  
PATTERN DEFINED BY CONTACT LAYOUT.
- 9 FOR ACTUAL PIN LOADING SEE "CONTACT LAYOUT".
- 10 FOR ACTUAL PIN DIMENSIONS SEE "CONTACT DIMENSIONS".
- 11 TO BE MEASURED AT BOTTOM OF SHROUD.
- 12 LOCATION PEG.
- 13 CONNECTOR LUBRICATED WITH BELCORE APPROVED LUBRICANT,  
TECHNICAL REFERENCE: TR-NWT-001217 ISSUE 1, SEP 1992.
- 14 0.76µm MIN GOLD PLATING AT MATING SURFACES.

THIS DRAWING IS A CONTROLLED DOCUMENT.		DWG F. BEUN 08OCT98	 TE Connectivity				
DIMENSIONS: mm		CHK R. LEE 08OCT98					
		APVD F. KONINGSBRUGGE PRODUCT SPEC	NAME MALE ASSEMBLY, Z-PACK 2mm HM, TYPE C				
MATERIAL SEE SHEET 1		FINISH SEE SHEET 1	APPLICATION SPEC 108-19082	SIZE A1	CAGE CODE 00779	DRAWING NO 100159	RESTRICTED TO -
CUSTOMER DRAWING			SCALE 4:1	SHEET 2	OF 2	REV M1	

# Mouser Electronics

Authorized Distributor

Click to View Pricing, Inventory, Delivery & Lifecycle Information:

[TE Connectivity:](#)

[100159-1](#)