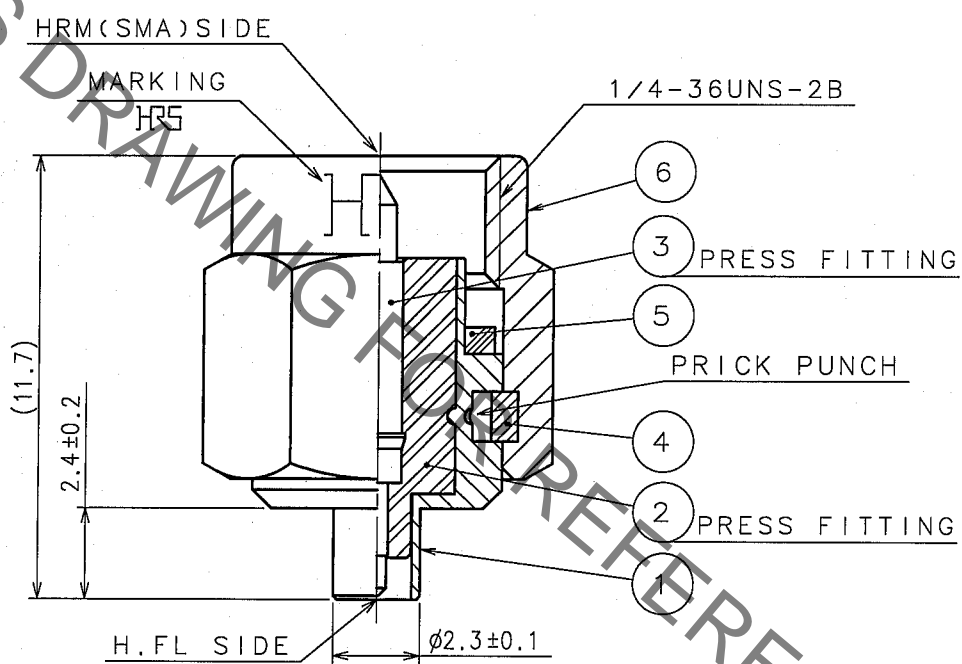
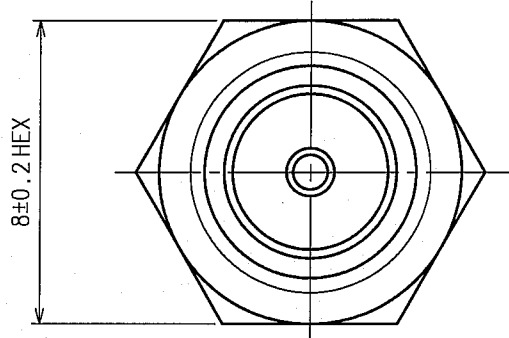


Aug.1.2020 Copyright 2020 HIROSE ELECTRIC CO., LTD. All Rights Reserved.
 In case of consideration for using Automotive equipment / device which demand high reliability, kindly contact our sales window correspondents.

1		2			3			4		
COUNT	DESCRIPTION OF REVISIONS	BY	CHKD	DATE	COUNT	DESCRIPTION OF REVISIONS	BY	CHKD	DATE	
△					△					
△					△					
△					△					



NOTE. USE ONLY FOR ELECTRICAL MEASUREMENT
 BECAUSE OF NO LOCKING DEVICE IN MATING
 PORTION ON H.F.L SIDE.

3	BRASS	GOLD PLATING	6	STAINLESS STEEL	PASSIVATE
2	PTFE		5	SILICONE RUBBER	(RED)
1	STAINLESS STEEL	NICKEL PLATING	4	BERYLLIUM COPPER	NICKEL PLATING
NO.	MATERIAL	FINISH, REMARKS	NO.	MATERIAL	FINISH, REMARKS

CODE NO. (OLD) CL		DRAWN <i>M. Kaneko</i> 05.9.5	DESIGNED <i>T. Katayama</i> 05.9.13	CHECKED <i>H. Shimizu</i> 05.09.13	APPROVED <i>J. Mitani</i> 05.09.14	RELEASED
RoHS COMPLIANT						
DRAWING NO. EDC4-047043-40		PART NO. HRMP-H.FLJ(40)				
SCALE 5 : 1		CODE NO. CL311-0232-4-40				1/1
UNITS mm		HIROSE ELECTRIC CO., LTD.				

0
RF

Mouser Electronics

Authorized Distributor

Click to View Pricing, Inventory, Delivery & Lifecycle Information:

[Hirose Electric:](#)

[HRMP-H.FLJ\(40\)](#)