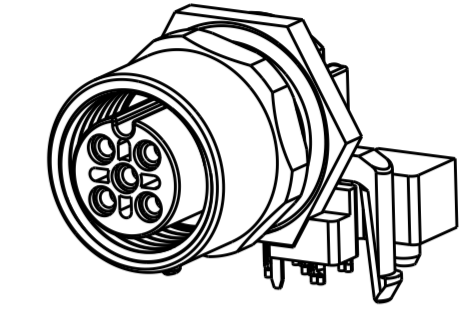
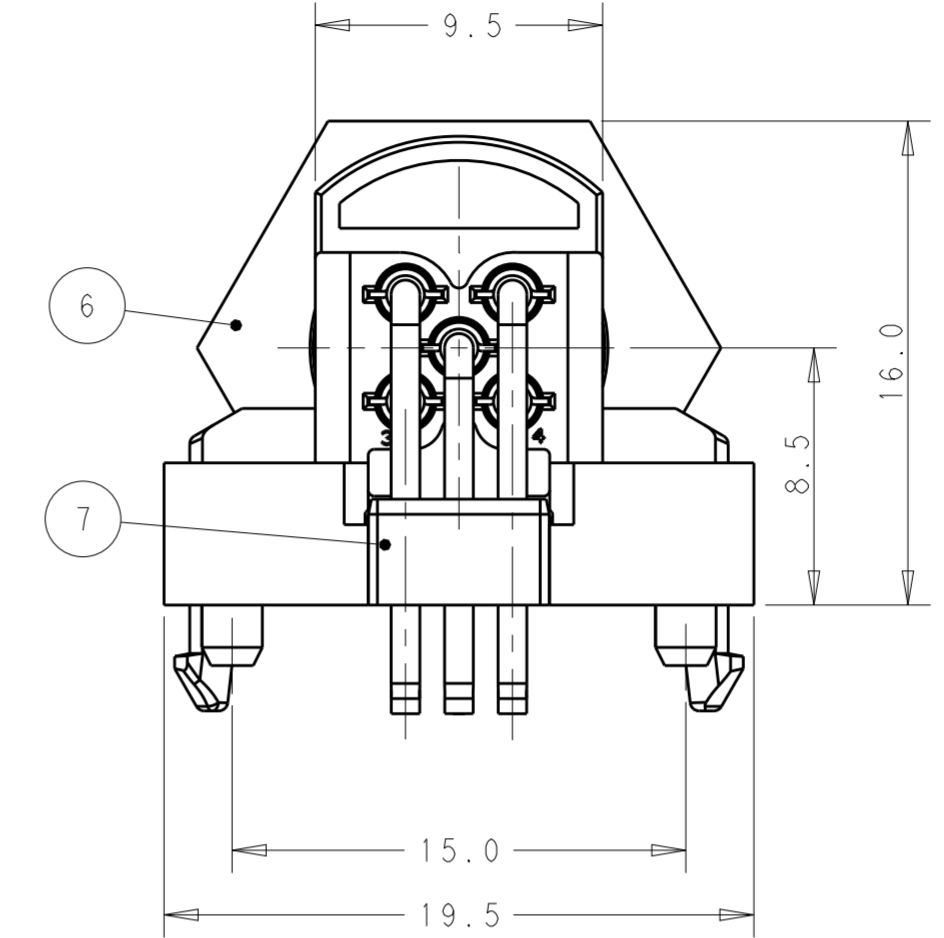
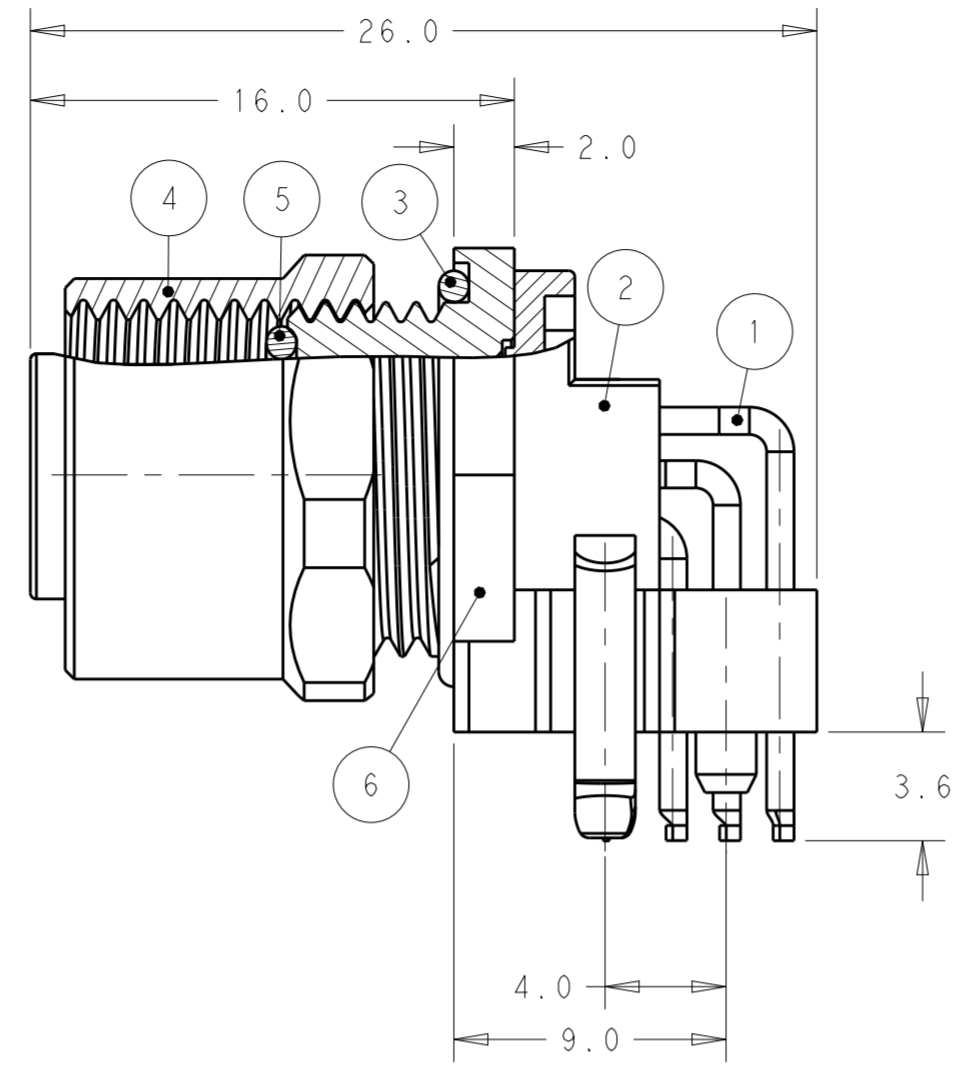
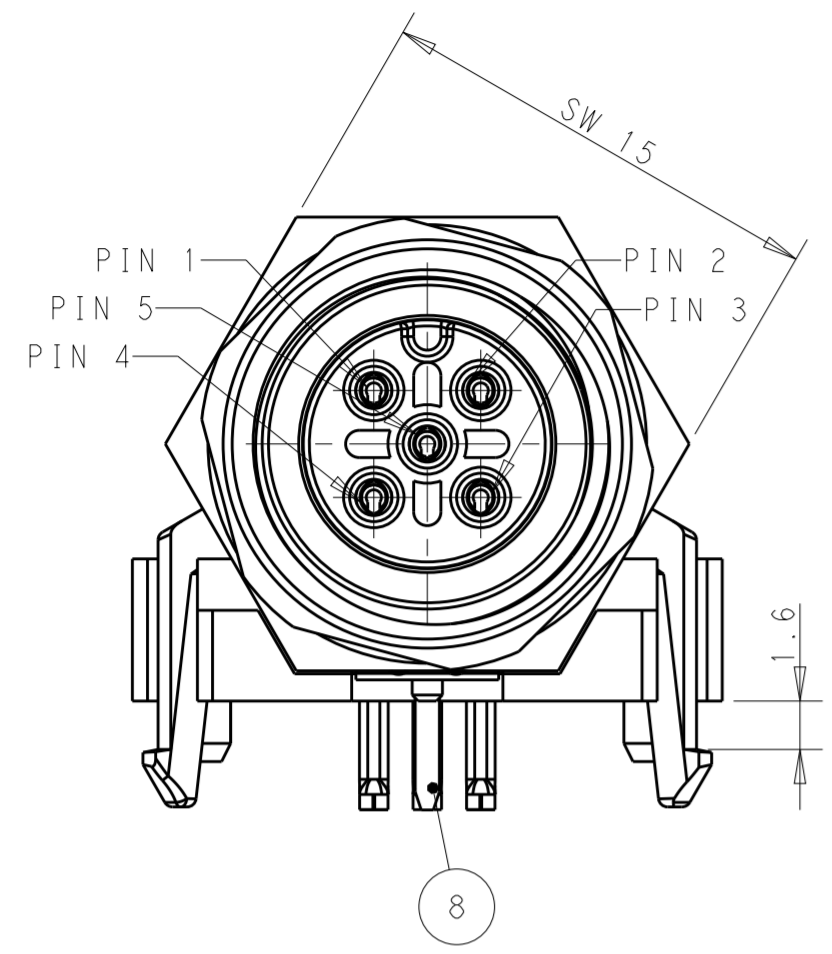


THIS DRAWING IS UNPUBLISHED. RELEASED FOR PUBLICATION
 © COPYRIGHT copyright.d8te- ALL RIGHTS RESERVED.

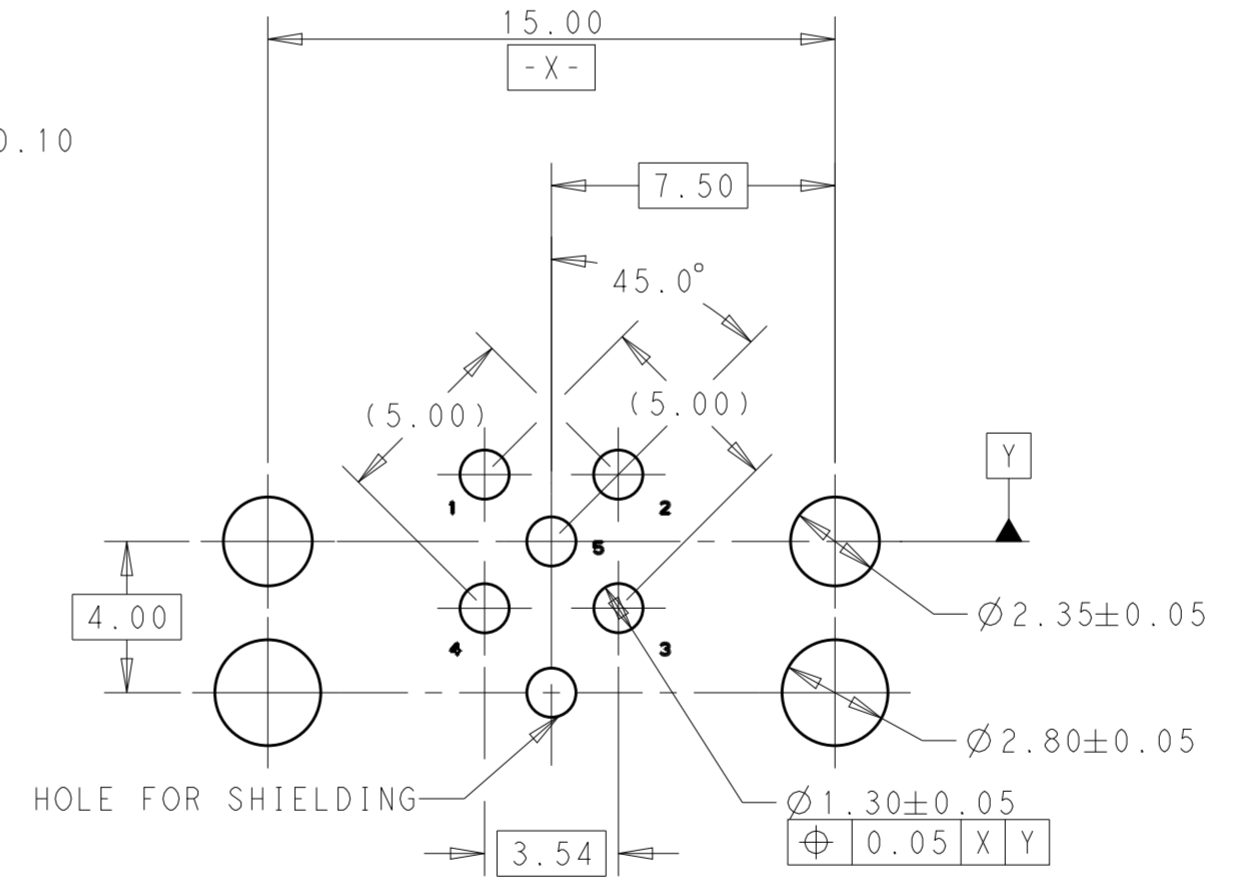
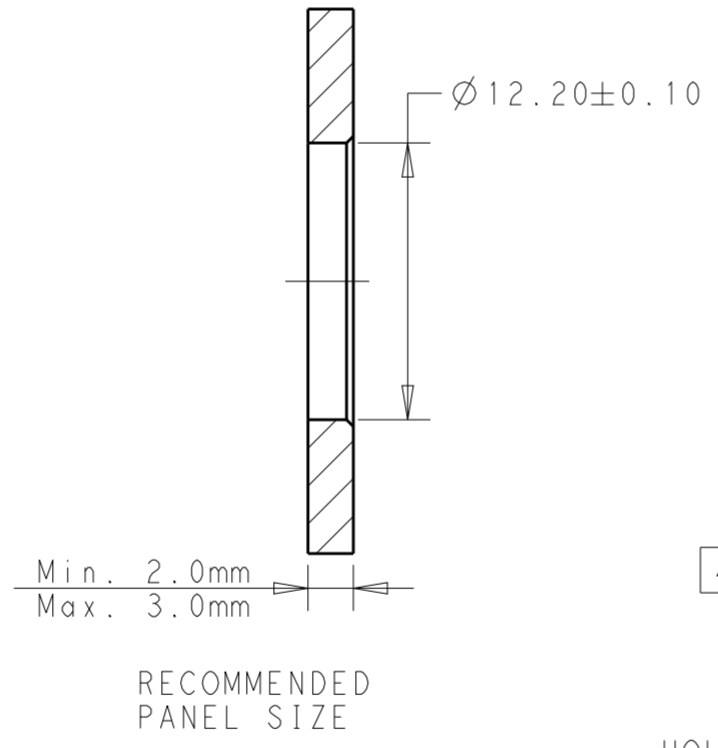
REVISIONS				
P	LTR	DESCRIPTION	DATE	DWN APVD
A		INITIAL RELEASE	27OCT2016	N.P X.X



- NOTES:
1. TECHNICAL DATA: SEE TABLE 1
 2. PIN ARRANGEMENT: SEE TABLE 2
 3. RECOMMEND TORQUE 0.6Nm
 4. ALL PRODUCT MUST COMPLIANCE WITH ROHS AND REACH.

TABLE 1

TECHNICAL DATA	T4145035021-001	T4145035031-001	T4145035041-001	T4145035051-001
RATED VOLTAGE	250V	250V	250V	60V
RATED IMPULSE VOLTAGE	2500V	2500V	2500V	1500V
RATED CURRENT	4A	4A	4A	4A
POLLUTION DEGREE	3	3	3	3
OVERVOLTAGE CATEGORY	II	II	II	II
MATERIAL GROUP	II	II	II	II
CONTACT RESISTANCE	≤5mΩ	≤5mΩ	≤5mΩ	≤5mΩ
INSULATION RESISTANCE	>100MΩ	>100MΩ	>100MΩ	>100MΩ
DEGREE OF PROTECTION	IP67	IP67	IP67	IP67
OPERATION TEMPERATURE	-40~85°C	-40~85°C	-40~85°C	-40~85°C



- 注意事项
1. 技术参数：见表1
 2. PIN 针排布见表2；
 3. 推荐扭矩0.6Nm；
 4. 产品必须符合ROHS与REACH.

TABLE 2

PIN ARRANGEMENT A-CODE			
T4145035021-001	T4145035031-001	T4145035041-001	T4145035051-001

COMMENTS	MATERIAL	DESCRIPTION	ITEM
	COPPER ALLOY	SHIELDING	8
	PA66	SPACER	7
	COPPER ALLOY	NUT	6
	PRUBBER	O-RING	5
	COPPER ALLOY	COUPLING NUT	4
	RUBBER	O-RING	3
BALCK COLOR	PA66	HOUSING	2
GOLD FLASH	COPPER ALLOY	CONTACT	1

TYPE	POS.	PART NUMBER
RPC-M12-FF-5CON-M12-LPSH1	5	T4145035051-001
RPC-M12-FF-4CON-M12-LPSH1	4	T4145035041-001
RPC-M12-FF-3CON-M12-LPSH1	3	T4145035031-001
RPC-M12-FF-2CON-M12-LPSH1	2	T4145035021-001

THIS DRAWING IS A CONTROLLED DOCUMENT.

DWN Nick Pan 24AUG2016
 CHK Kobby Zhao 24AUG2016
 APVD Xiang Xu 24AUG2016

PRODUCT SPEC: 108-106140
 APPLICATION SPEC: -
 WEIGHT: -

MATERIAL: TBD
 FINISH: -
 finish_spec_2

STE TE Connectivity

NAME: M12 RECEPTACLE CONNECTOR PCB ASSEMBLY, ANGLED, SHIELDED, A-CODE

SIZE: A2 CAGE CODE: - DRAWING NO: C-T41450350X1001 RESTRICTED TO: -
 SCALE: 5:1 SHEET: 1 OF 1 REV: A

CUSTOMER DRAWING