

5

4

3

2

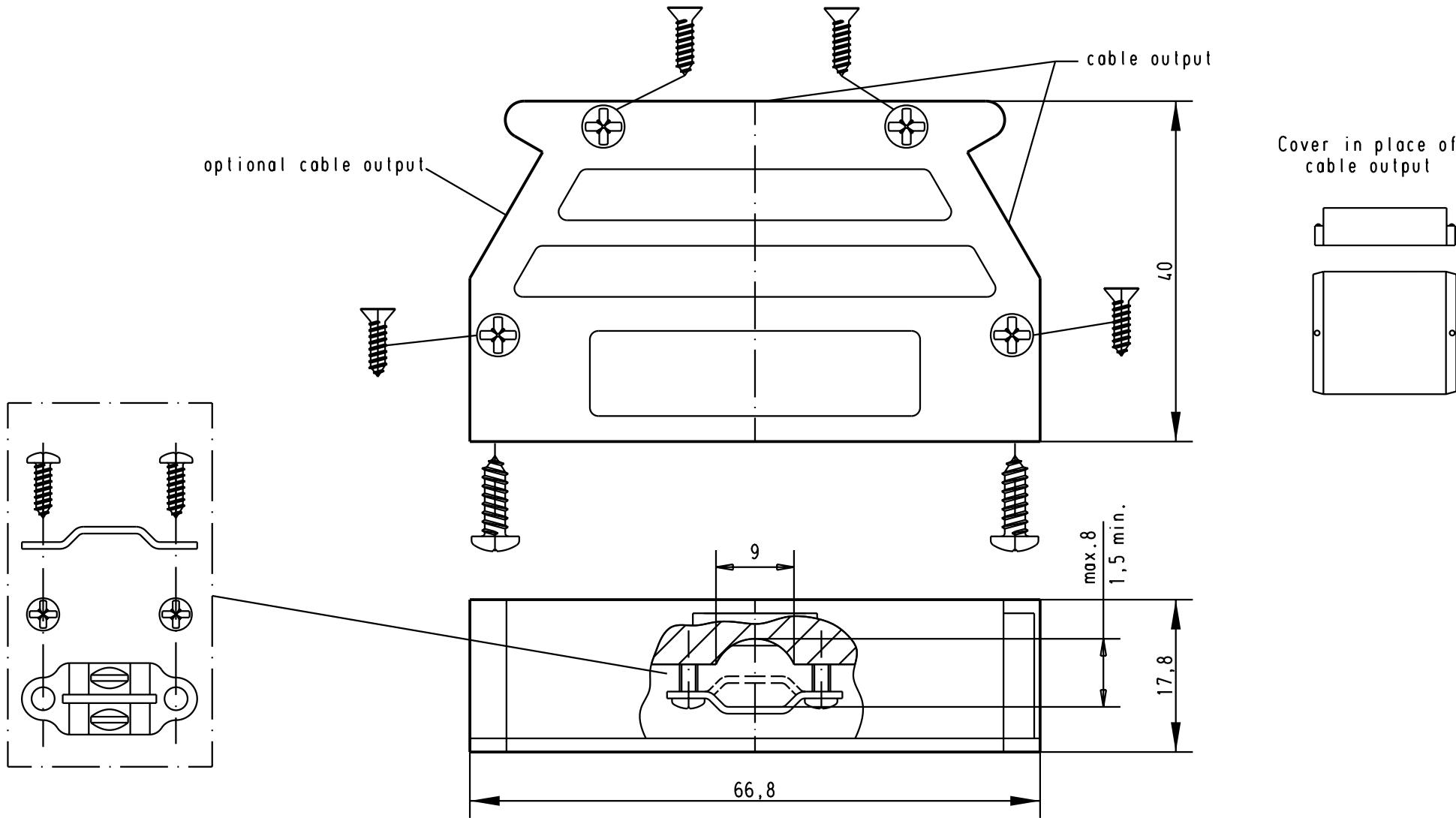
1



D

C

B

A



					Dtl. Name Detail. 28-MAR-02 CV		 All Dim. in mm Orig. Size DIN A 4	D-Sub, Hood 50 poles Top and side cable entry	Maßstab/ Scale 1.5:1	
					Insp.					
					Stand.					
09 67 050 0453	Thermoplastic metallized							TB 0967050045x	Blatt/ Page 1 /	
09 67 050 0452	Thermoplastic black				29760	28-MAR-02				CV
Part number	Material				Mod.	Dat.				Name
								Sub.		