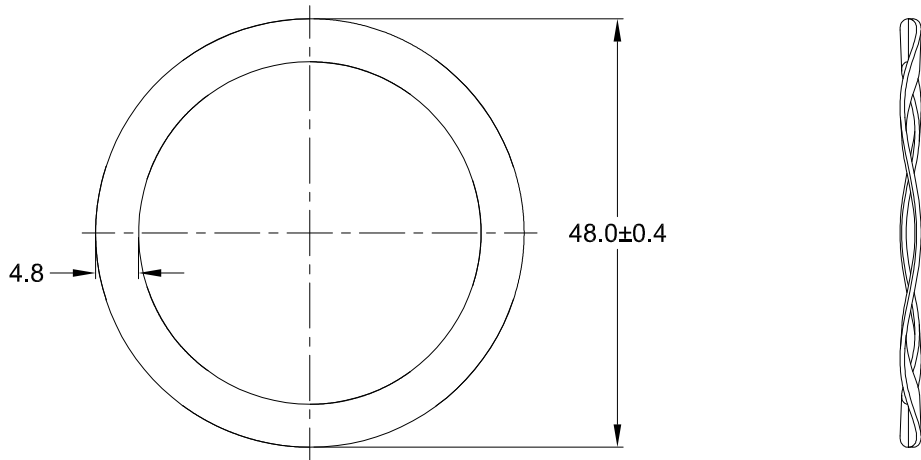


REVISIONS					
REV	ECO	DESCRIPTION	DATE	BY	APPR
01		PRELIMINARY DRAWING	15JUN17	SULLEN	TOMMY



NOTES: UNLESS OTHERWISE SPECIFIED

1. MATERIAL: STEEL
2. RoHS COMPLIANT
3. USE WITH AHDP SERIES SIZE 18 RECEPTACLE,
4. ALL DIMENSIONS ARE FOR REFERENCE USE ONLY.

AT14-002-1886												
PART NUMBER		DESCRIPTION		ITEM								
QUANTITY	MATERIALS LIST											
<p>UNLESS OTHERWISE SPECIFIED</p> <p>1) All dimensions are in metric (mm).</p> <p>2) Tolerances are as follows:</p> <table border="0"> <tr> <td>1 PL DEC ±0.30</td> <td rowspan="3">Fractlons ±1/64</td> </tr> <tr> <td>2 PL DEC ±0.15</td> </tr> <tr> <td>3 PL DEC ±0.08</td> </tr> </table> <p>3) Note reference = </p>		1 PL DEC ±0.30	Fractlons ±1/64	2 PL DEC ±0.15	3 PL DEC ±0.08	<p>SIGNATURES</p> <p>DRAWN: SULLEN, ZHANG</p> <p>CHECKED: ORION, LI</p> <p>ENGINEER:</p> <p>APPROVAL: TOMMY, XIE</p> <p>CUSTOMER:</p>		<p>DATE</p> <p>15JUN17</p> <p>15JUN17</p> <p>15JUN17</p>				
1 PL DEC ±0.30	Fractlons ±1/64											
2 PL DEC ±0.15												
3 PL DEC ±0.08												
MATERIAL SPECIFICATIONS:		<p>Amphenol</p> <p>Sine Systems - www.amphenol-sine.com 44724 Morley Drive Clinton Township, MI 48036</p>										
PROCESS SPECIFICATIONS:		<p>LOCK WASHER, SIZE 18, AHDP SERIES</p>										
NEXT ASSY:		<p>THIS DRAWING IS SUPPLIED FOR INFORMATION ONLY. DESIGN FEATURES, SPECIFICATIONS AND PERFORMANCE DATA SHOWN HEREON ARE THE PROPERTY OF THE AMPHENOL CORPORATION. NO RIGHTS OF REPRODUCTION ARE IMPLIED. ALL DIMENSIONS ARE SUBJECT TO NORMAL MANUFACTURING VARIATIONS.</p>		<table border="1"> <tr> <td>SIZE</td> <td>TYPE</td> <td>DWG NO:</td> <td>REVISION</td> </tr> <tr> <td>A</td> <td>C-</td> <td>AT14-002-1886</td> <td>01</td> </tr> </table>	SIZE	TYPE	DWG NO:	REVISION	A	C-	AT14-002-1886	01
SIZE	TYPE	DWG NO:	REVISION									
A	C-	AT14-002-1886	01									
		SCALE: NONE		SHEET 1 OF 1								