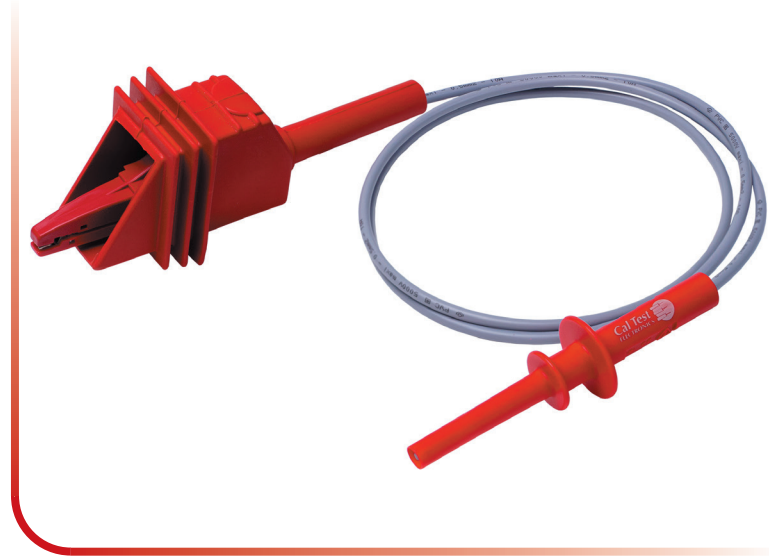


5kV, Fully Insulated Large Alligator Clip to 4mm Long-Reach Sheathed Banana Plug Test Lead, PVC Jacket

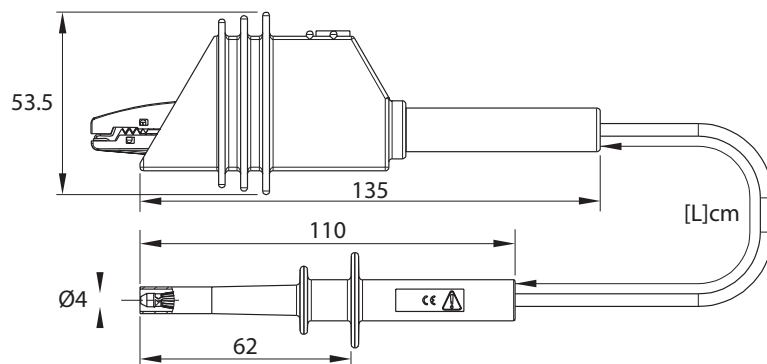
CT3018-L-#



Features:

- 1,000 CAT IV, 5 kV non-category with 2 kV transient overvoltage
- 10 A Max
- Meets IEC 61010-031 safety standard
- CE listed
- RoHS 2 compliant

Measurement Drawing: *(dimensions in mm, not to scale)*



Description:

With the highly insulated alligator clip and long-reach sheathed banana plug, the CT3018 operates up to 5 kV when used in non-category environments with transient overvoltages up to 2 kV.^a This test lead is also rated 1,000 V CAT IV.^b

The CT3018 comes with a specially designed 4 mm long-reach sheathed banana plug and a special high voltage, highly flexible test lead wire, which allows it to interface with the 5kV, 4mm Sheathed Banana Jack Series. The alligator clip opens to 24 mm, accommodating terminals up to 16 mm in diameter.

The CT3018 is available in 2 colors and two lengths.

a. Never hold or touch equipment while connected to live voltages.

b. Must be used in conjunction with other similarly rated products.

Order Information:

CT3018-L-#

5kV, Fully Insulated Large Alligator Clip to 4mm Long-Reach Sheathed Banana Plug Test Lead, PVC Jacket

- Length - replace '-L' with dash number:
-**100** cm, -**150** cm
- Color - replace '-#' with dash number:
-**0** Black, -**2** Red

Contact Info:

Toll Free: 800-572-1028 (US Only)

Phone: 714-221-9330

Fax: 714-921-9849

22820 Savi Ranch Parkway

Yorba Linda, CA 92887-4610 USA

www.caltestelectronics.com



Copyright © 2020, Cal Test Electronics, Inc. All rights reserved. Information in this publication supersedes that in all previously published material. Trade names referenced are the service marks, trademarks or registered trademarks of their respective companies.

Mouser Electronics

Authorized Distributor

Click to View Pricing, Inventory, Delivery & Lifecycle Information:

[Cal Test Electronics:](#)

[CT3018-100-0](#) [CT3018-100-2](#) [CT3018-150-0](#) [CT3018-150-2](#)