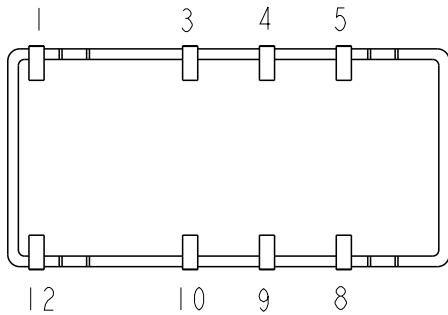
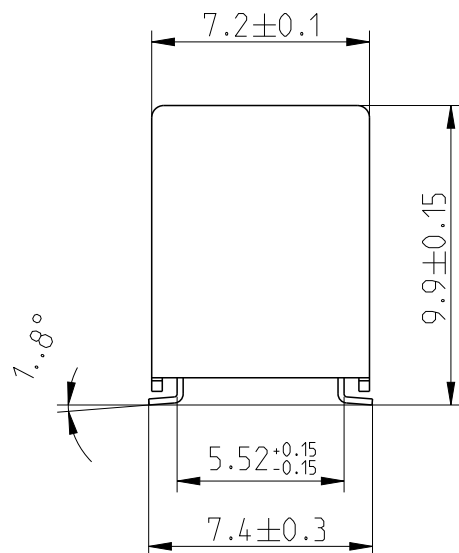
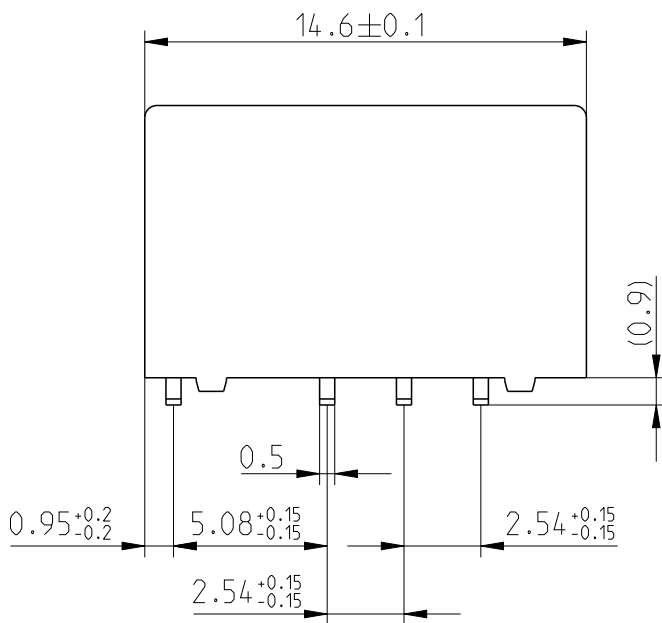


LOC	DIST	REVISIONS					
HJ	-	P	LTR	DESCRIPTION	DATE	DWN	APVD
		C4		ECR-18-011238	6.8.2018	VG	PH



Relay - bottom view



xx = Relay type  
YYWWD = Date code

DRAWING ALIAS C23303-A079-A007

2006

RELEASED FOR PUBLICATION

ALL RIGHTS RESERVED.

THIS DRAWING IS UNPUBLISHED.

© COPYRIGHT 2006

DIMENSIONS: mm	DWN Jan Kadlec 25-Oct-16	MATERIAL	FINISH
TOLERANCES UNLESS OTHERWISE SPECIFIED: DIN 7168-m	CHK Robert Kaspar 25-Oct-16	TE Connectivity	
0 PLC ±-	APVD Petr Hofman 25-Oct-16		
1 PLC ±	PRODUCT SPEC	NAME P2-Relay SMT N (Narrow) Dimensions	
2 PLC ±	APPLICATION SPEC	SIZE	RESTRICTED TO
3 PLC ±		A4	
4 PLC ±	WEIGHT	CAGE CODE	
ANGLES ±-		G-1393789-3	
	CUSTOMER DRAWING	DRAWING NO	SCALE
			4:1
			SHEET 1 OF 1
			REV C4

# Mouser Electronics

Authorized Distributor

Click to View Pricing, Inventory, Delivery & Lifecycle Information:

[TE Connectivity:](#)

[5-1393789-1](#)