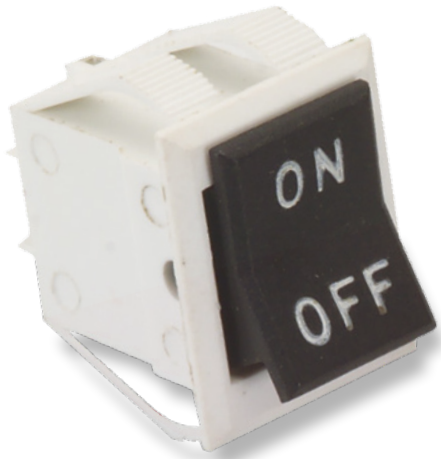
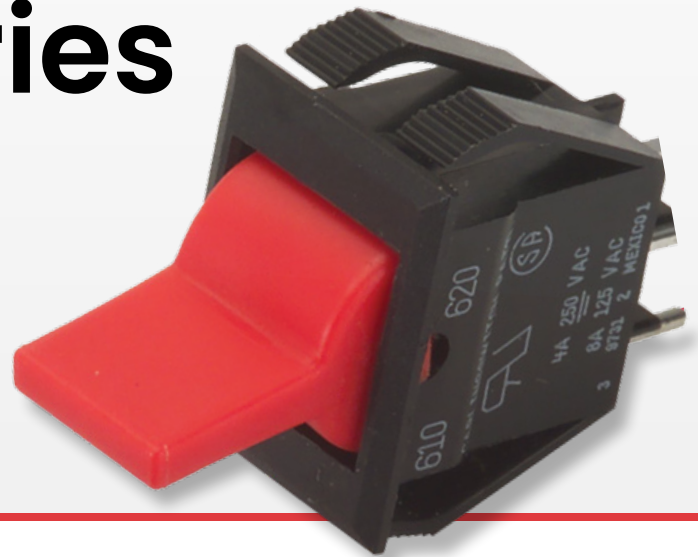


610/620-Series

Small-Sized Rocker Switches

[PRODUCT WEBPAGE](#)

request sample, configure part



The 610/620-Series switches are double insulated and available in single or double pole configurations. These snap-in mounted switches are offered with either a paddle or rocker actuator and with ratings up to 8 amps.

1-2
Poles

.4-8
Amps

125-250
VAC

12-24
VDC

Typical Applications

- Handheld Appliances
- Audio-Visual
- Power Supplies
- Computers

Tech Specs

Dielectric Strength

UL/CSA:
1000V - live to dead metal parts &
opposite polarity

Electrical Life

50,000 cycles- single pole
50,000 cycles- double pole

Operating Temperature

32°F to 185°F (0°C to 85°C)

Ordering Scheme

Sample Part Number **62012421 - 0 - 0**

Selection 1 2 3

1. SERIES

4A 250VAC; 8A 125VAC
Single Pole

	Solder Lugs	PC Term
On-none-On	62011421	62011422
On-none-(On)	62011431	62011432
On-off-On	62011461	62011462
On-off-(On)	62011471	62011472
(On)-off-(On)	62011481	62011482
Double Pole		
On-none-On	62012421	62012422
On-none-(On)	62012431	62012432
On-off-On	62012461	62012462
On-off-(On)	62012471	62012472
(On)-off-(On)	62012481	62012482

2. TERMINAL SEALING

0 None
E Epoxy sealed terminals

3. LEGEND

NO LEGEND	hot stamp
On-OFF vertical	A
On-OFF horizontal	B
I-O horizontal	D
I-O vertical	G

Notes:

1 Base part number specifies black rocker and bezel. To specify paddle actuator, change 2nd digit of part number from 2 to 1 (ex. 61012421) For additional ratings and colors, consult factory.

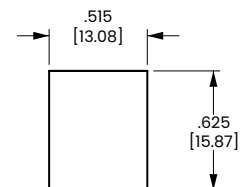
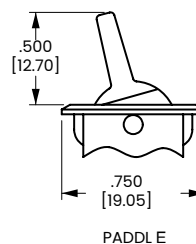
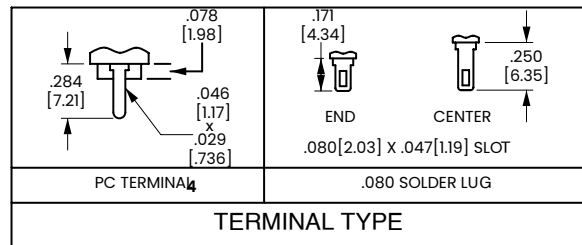
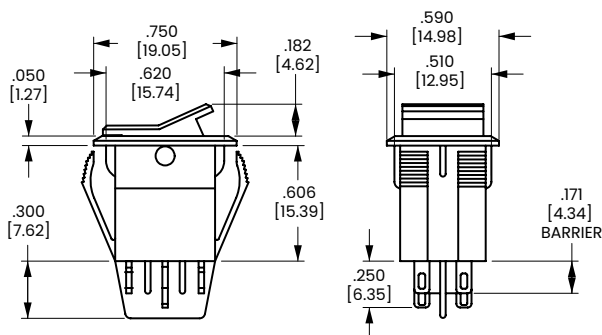
() indicates momentary function.

[Configure Complete Part Number >](#)

[Browse Standard Parts >](#)

Dimensional Specs

inches [millimeters]



MOUNTING HOLE
Panel Thickness:
.030 [.762] min. to
.093 [2.36] max.

Authorized Sales Representatives and Distributors

Click on a region of the map below to find your local representatives and distributors or visit www.carlingtech.com/findarep.



About Carling

Founded in 1920, Carling Technologies is a leading manufacturer of electrical and electronic switches and assemblies, circuit breakers, electronic controls, power distribution units, and multiplexed power distribution systems. With six ISO9001 and IATF16949 registered manufacturing facilities and technical sales offices worldwide, Carling Technologies Sales, Service and Engineering teams do much more than manufacture electrical components, they engineer powerful solutions! To learn more about Carling please visit www.carlingtech.com/company-profile.

To view all of Carling's environmental, quality, health & safety certifications please visit www.carlingtech.com/environmental-certifications.

© Carling Technologies, Inc.

3. Carling is a registered trademark of Carling Technologies, Inc. in the U.S. and other countries.

Mouser Electronics

Authorized Distributor

Click to View Pricing, Inventory, Delivery & Lifecycle Information:

Carling Technologies:

[61012481-0-0](#) [62011481-0-0](#) [62012421-0-0](#) [62021421-0-0](#) [61011471-0-0](#) [62012431-0-0](#) [61011481-0-0](#) [62012462-0-0](#) [62012471-0-0](#) [62012481-0-0](#) [62012482-0-0](#) [62011471-0-0](#) [62012221-0-0](#) [62012422-0-0](#) [62012461-0-0](#) [61012421-0-0](#) [62011421-0-0](#) [62011421-0-A](#) [62011431-0-0](#) [62011461-0-0](#) [62011281-0-0](#) [61016281-0-0](#) [62011171-0-0](#) [62021421-0-A](#) [62015481-0-0](#) [62016421-0-0](#) [62015461-E-0](#) [62015431-0-0](#) [61015481-0-0](#) [61012161-E-0](#) [62011121-0-0](#) [62012181-0-0](#) [62011221-0-0](#) [61015461-0-0](#) [62016481-0-0](#) [62016461-0-0](#) [61011431-0-0](#) [61011422-E-0](#) [62042481-0-0](#) [61016261-0-0](#) [61015481-E-0](#) [61012461-0-0](#) [61012431-0-0](#) [62016431-0-0](#) [62015461-0-A](#) [61016481-0-0](#) [61011421-E-0](#) [61016421-0-0](#) [61012281-0-0](#) [61016221-0-0](#) [62051121-0-A](#) [61015421-0-0](#) [62011261-0-0](#) [61032421-0-0](#) [62051281-0-0](#) [62022221-0-0](#) [62015421-0-0](#) [62015421-0-A](#) [62032421-0-0](#) [62015461-0-0](#) [62012461-E-0](#) [61011461-0-0](#) [61011231-E-0](#) [61012271-0-0](#) [62016281-0-0](#) [61011282-0-0](#) [61011221-0-0](#) [61012131-0-0](#) [61012422-0-0](#) [61012462-0-0](#) [62016421-E-0](#) [62011231-0-0](#) [62016461-0-A](#) [61011421-0-0](#) [61012221-0-0](#)