

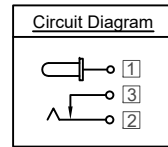
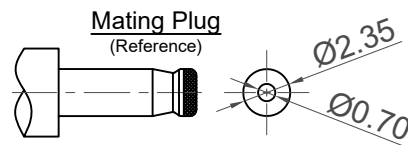
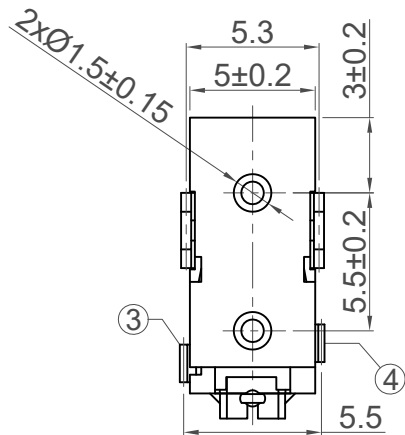
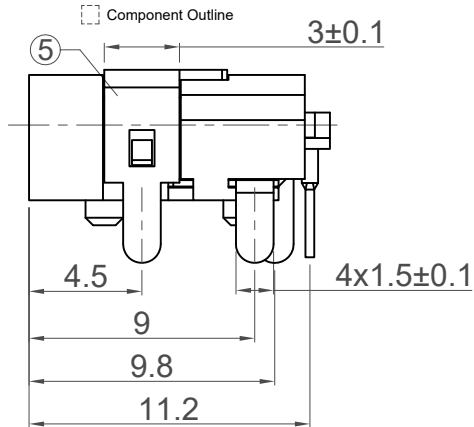
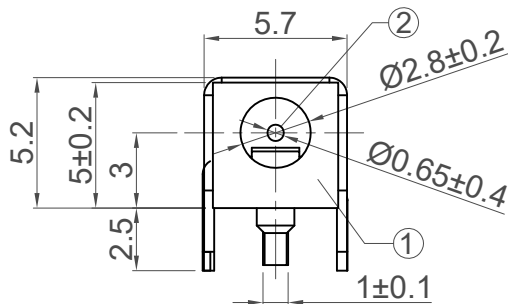
Specifications 规格

Electrical 电气规格

Voltage Rating 电压额定值: 16 V DC  
 Current Rating 电流额定值: 2.5 Amp  
 Insulation Resistance 绝缘电阻值: 100 MΩ min.  
 Dielectric Withstanding 耐电压: 500 V AC  
 Contact Resistance 接触电阻值: 30 mΩ max.

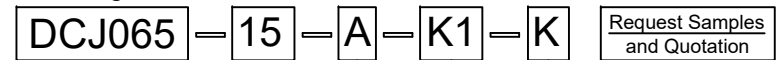
Mechanical & Environmental 机械 & 环境

Operating Temperature 工作温度: -20°C to +70°C  
 Durability 耐久性: 5,000 cycles min.



No.	Description	Material	Q'ty
①	Housing	PBT, UL94 V-0, Black	1
②	Centre Pin ①	Bronze, Silver plating	1
③	Tip Spring ②	Stainless Steel, T=0.25mm, Silver plating	1
④	Shunt Terminal ③	Brass, T=0.3mm, Silver plating	1
⑤	Shell ④	Brass, T=0.4mm, Silver plating	1

Ordering Grid



Circuit Diagram

A = 2 Conductors/3 Contacts

Insulator Colour

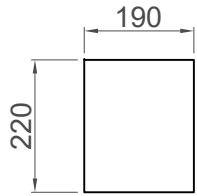
K1 = Black

Packing

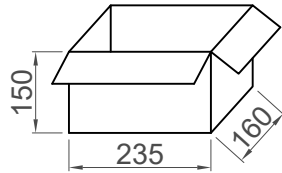
K = Bag  
(1000 per bag)

Part Number DCJ065-15		Product Description DC Power Jack, Thru-Hole, Horizontal, w/Locating Pegs		 www.gct.co
Drawing Date 22nd June 2015		Ø0.65mm Pin mates with Ø0.70mm Plug		
By AJO	Detail Drawing Release	Tolerances (Except as Noted) Length: ± 0.3	Angle: ± 2°	Units: Metric (mm)
Revision A	Date 22/06/15	 		This drawing is confidential and copyright of Global Connector Technology, Ltd (GCT). This drawing must not be copied or disclosed without written consent. E & OE
Not to Scale		Drawn By AJO	Sheet No. 1/2	

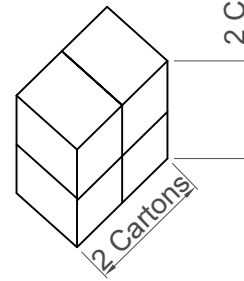
Part Number	Pcs/Bag	Bags/Carton	Cartons/Box	Pcs/Box
DCJ065-15	1000	5	4 or 6	20k or 30k



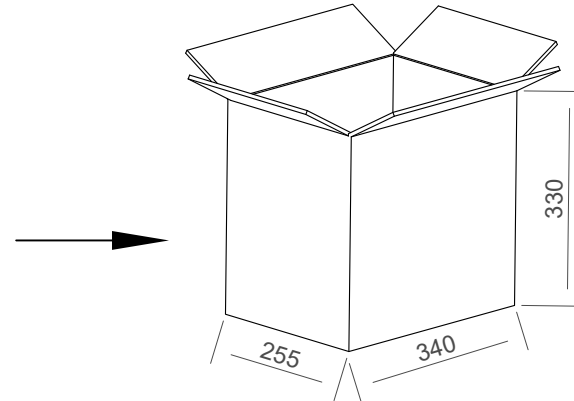
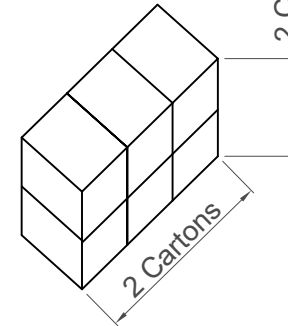
PE Bag = 1000pcs



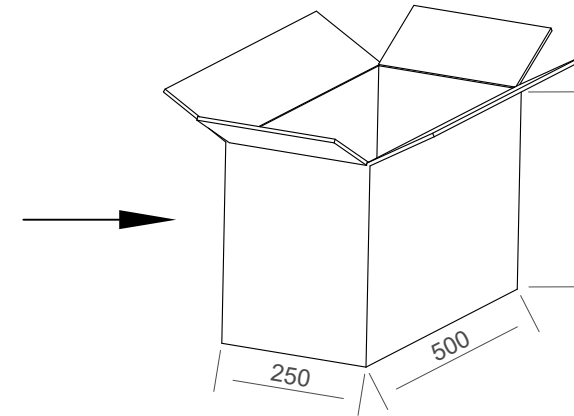
Carton  
= 1000pcs x 5 bags  
= 5000pcs







Packaged at  
GCT's discretion



Box  
= 4 cartons x 5000 pcs  
= 20,000pcs



Box  
= 6 cartons x 5000 pcs  
= 30,000pcs

Part Number		Product Description		 <a href="http://www.gct.co">www.gct.co</a>
DCJ065-15		DC Power Jack, Thru-Hole, Horizontal, w/Locating Pegs		
Drawing Date		Ø0.65mm Pin mates with Ø0.70mm Plug		
22nd June 2015				  This drawing is confidential and copyright of Global Connector Technology, Ltd (GCT). This drawing must not be copied or disclosed without written consent. E & OE
By	AJO	Tolerances (Except as Noted)	Units:	
Detail	Drawing Release	Length	Metric (mm)	
Revision	A	Angle		
Date	22/06/15			Not to Scale
				Drawn By
				AJO
				Sheet No.
				2/2

H  
G  
F  
E  
D  
C  
B  
A

1 2 3 4 5 6 7 8

# Mouser Electronics

Authorized Distributor

Click to View Pricing, Inventory, Delivery & Lifecycle Information:

[Global Connector Technology \(GCT\):](#)

[DCJ065-15-A-K1-K](#)