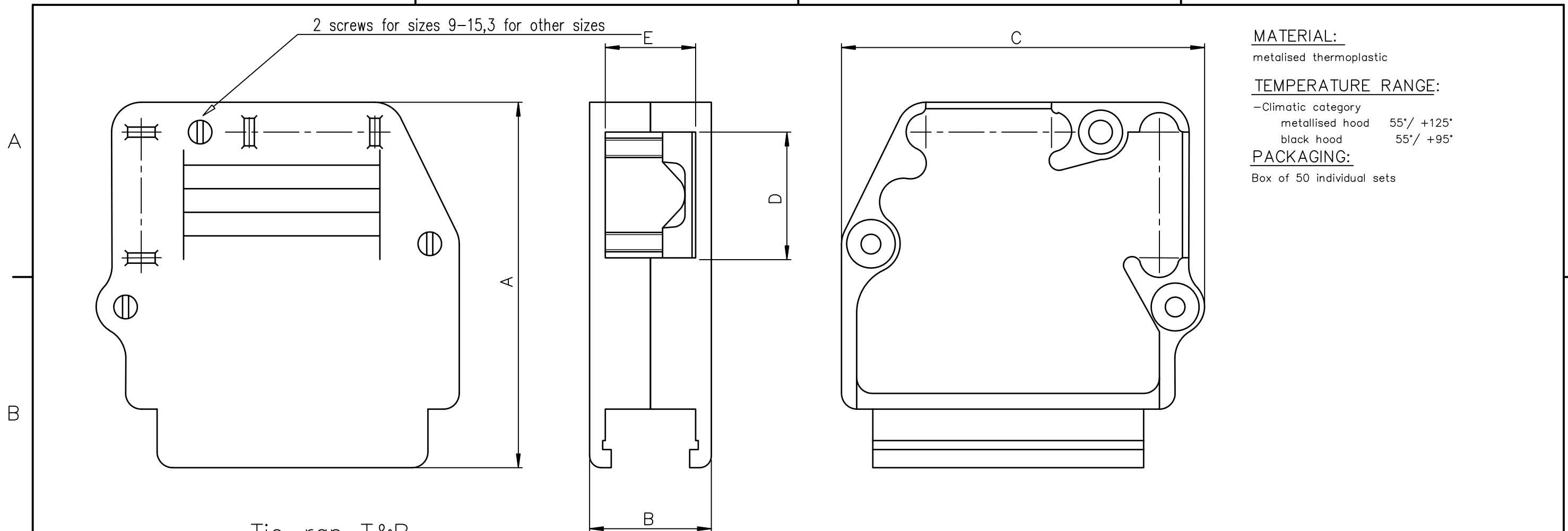


1

2

3

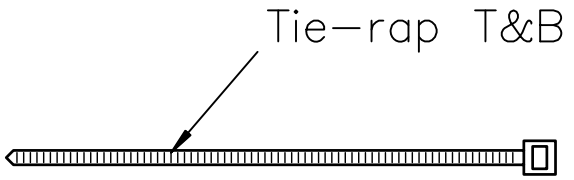
4



**MATERIAL:**  
metallised thermoplastic

**TEMPERATURE RANGE:**  
- Climatic category  
metallised hood 55°/ +125°  
black hood 55°/ +95°

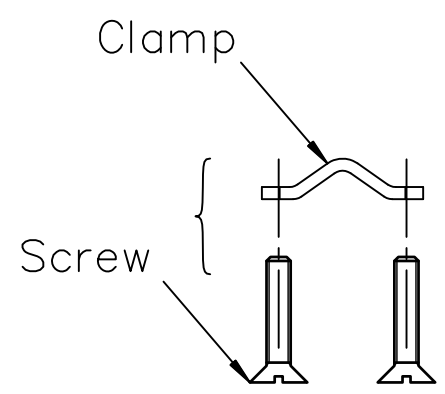
**PACKAGING:**  
Box of 50 individual sets



Bill of material		
components	Hood kit	Kit for 2 exit use
1/2 Hood	2	0
Screw	2	2
Tie rap	1	1
Clamp	1	1

Dimensions are in millimeters

Shell size	Number of contacts	A	B	C	With clamp		Without clamp		PART NUMBER		
					D	E		D	E	Metallised hood	Kit for 2 exit use *
						mini	maxi				
E	09	29.75	15.50	24.25	6.00	1.90	10.10	8.00	11.50	863093C09MLF	863093CEALF
A	15	29.75	15.50	32.50	6.00	1.90	10.10	8.00	11.50	863093C15MLF	
B	25	46.50	15.50	46.00	13.50	2.60	10.10	16.00	11.50	863093C25MLF	863093CBCLF
C	37	46.50	15.50	60.50	13.50	2.60	10.10	16.00	11.50	863093C37MLF	
D	50	48.50	18.00	56.50	15.50	4.40	12.60	18.00	14.00	863093C50MLF	863093CDLF



\* additional accessories to be ordered separately



Copyright FCI.

**NOTE: RoHS INFORMATIONS**

- The "LF" product meets European union Directives and other country regulations as described in GS-22-008.
- The product is not intended to be exposed to a manufacturing solder process.
- Packaging spec: see GS-14-920.

rev	ecn no	dr	date
A	LS05-0086	MPE	2005/10/12
B	LS06-0095	LGO	2006/06/23
C	LS07-0300	MPE	2007/11/21
D	LS07-0319	MPE	2007/12/18
E	LS07-0321	MPE	2007/12/19
F	I11-0091	AMR	2011/05/14
-	-	-	-

www.fciconnect.com			surface ISO 1302 ✓	tolerance std ISO 406 ISO 1101	projection mm
TOLERANCES UNLESS OTHERWISE SPECIFIED					
Dr	PESSON	2005/10/12	ANGULAR	0.X	±0.1
Eng	PESSON	2005/10/12		LINEAR	0.XX
Chr	ABHILASH	2011/05/14	0.XX ±2		0.XXX
Appr	SUDHIR	2011/05/14	Product family		D-SUB
FCI			title UNIVERSAL PLASTIC HOOD		size A3
-			catalog no		Scale 2
-			-		ECN I11-0091
-			-		Spec ref -
-			-		Rev. F
-			-		dwg no C01-8655-1620
-			-		CUSTOMER sheet 1 of 1