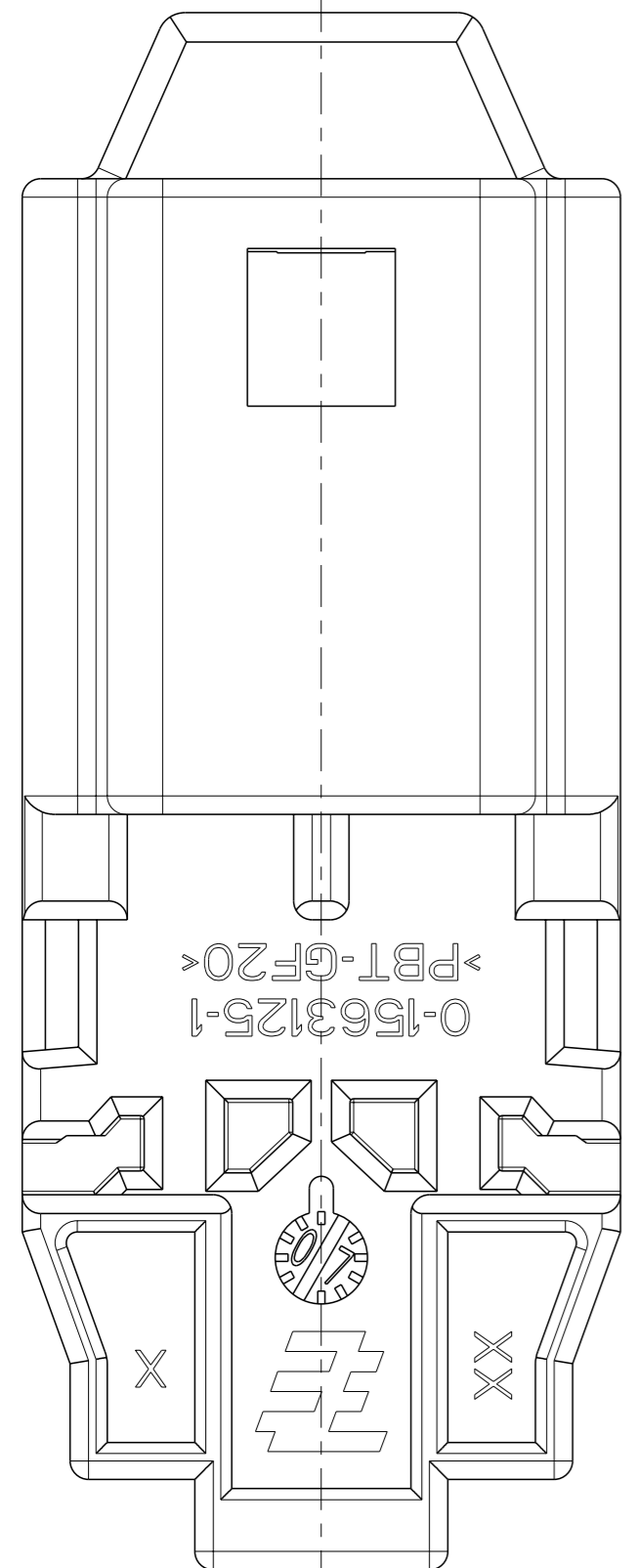
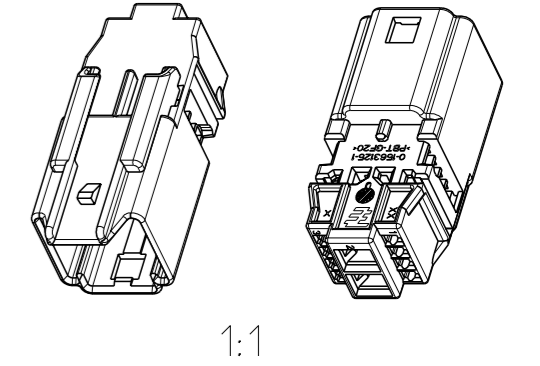
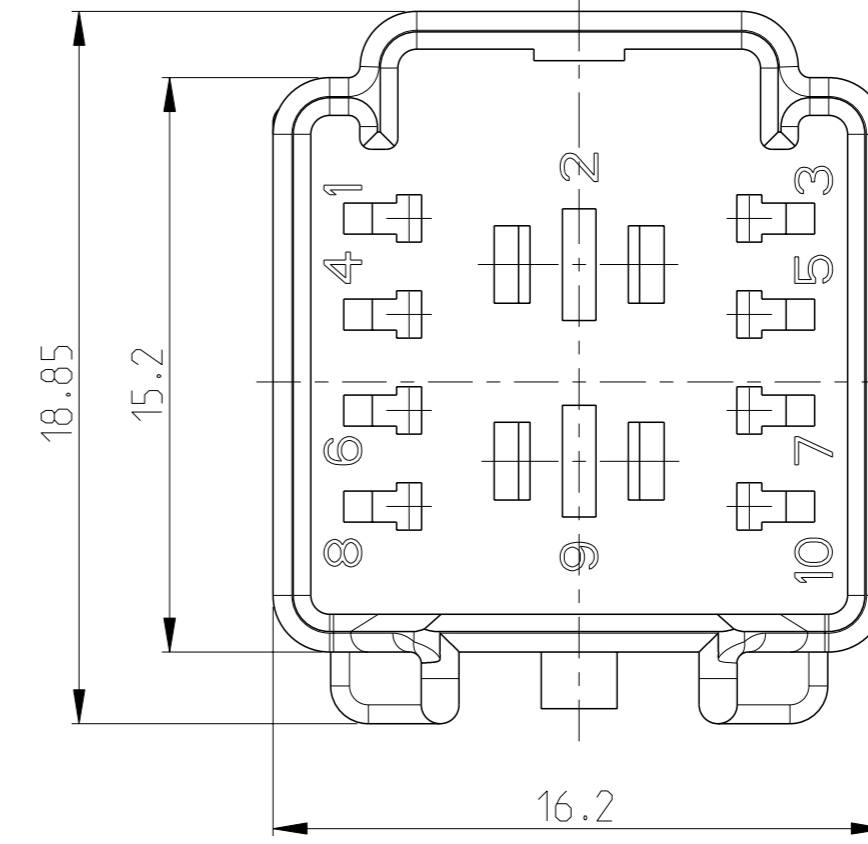
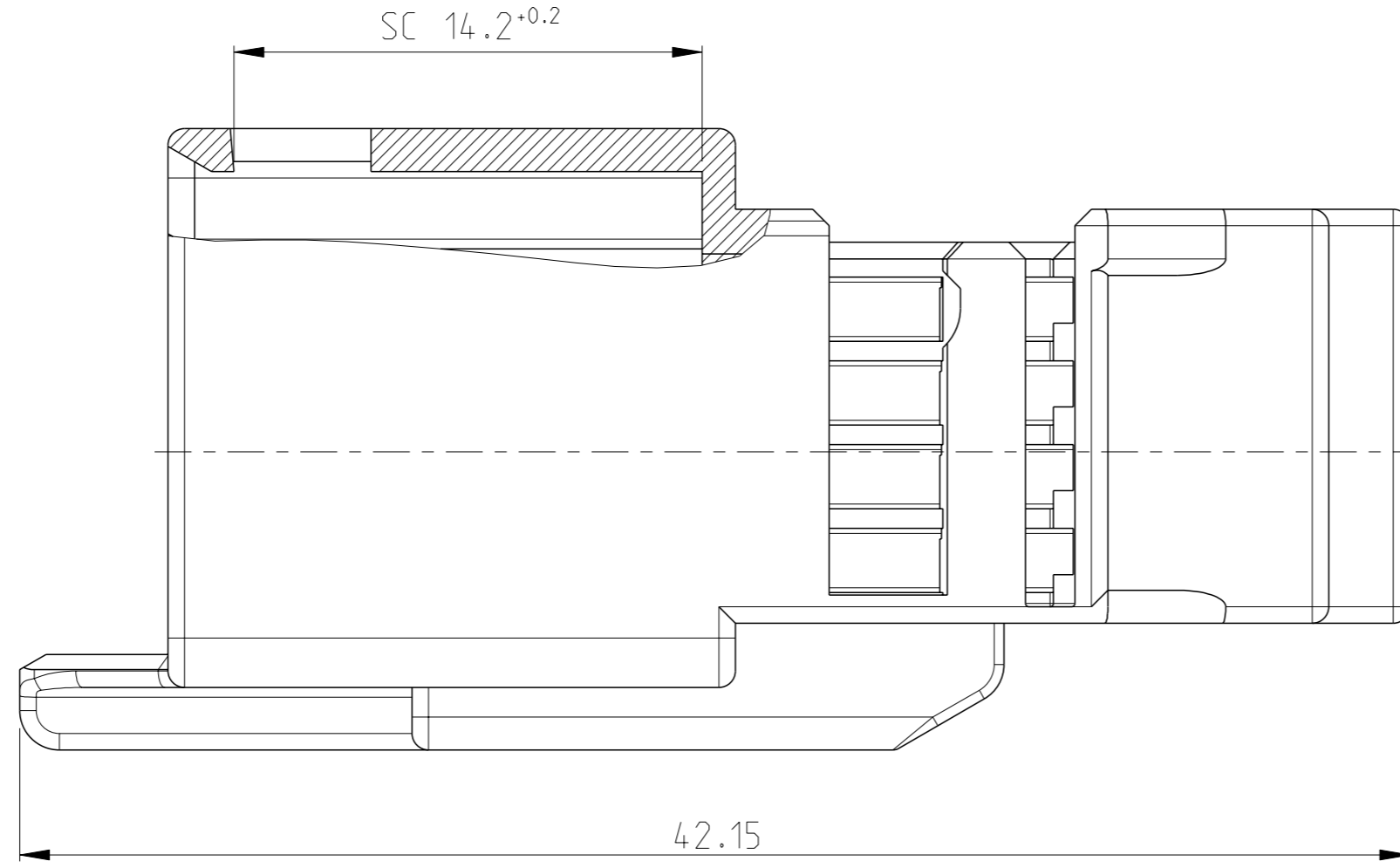
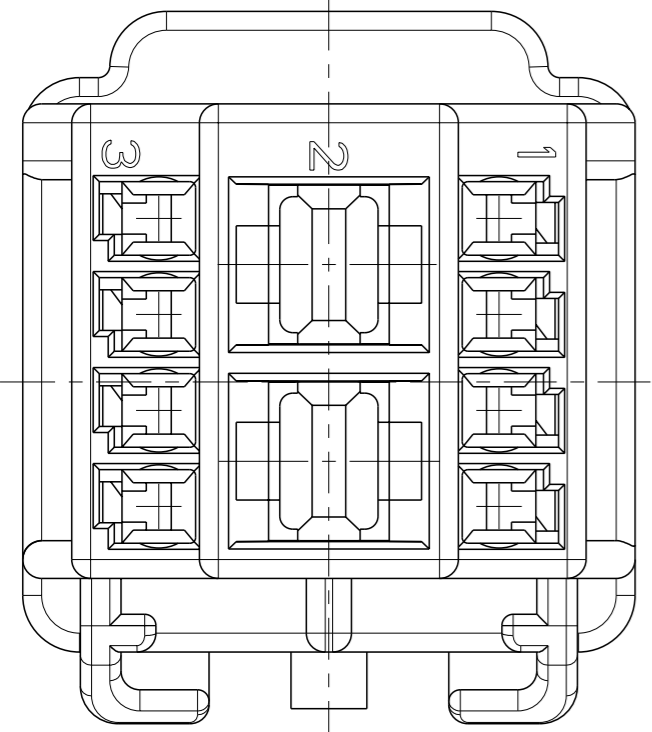


LOC	DIST	REVISIONS			
P	LTR	DESCRIPTION	DATE	DWN	APVD
A1	-				
B2		ECR-12-002462	08FEB2012	GP	GM
B3		ECR-20-005126	07APR2020	KC	PT
B4		ECR-20-013557	23SEP2020	SRN	PT
B5		ECR-20-014817	20OCT2020	KC	PT



SECONDARY LOCK TO BE MOUNTED BY HARNESSMAKER AFTER CONTACT INSERTION:  
 Zweite Kontaktsicherung wird nach Kontaktbestueckung durch den Kabelkonfektionaeer montiert:

0-1563126-1  
 10POS MIXED SECONDARY LOCK

**DELIVERY CONDITION:**  
**PARTS UNMOUNTED EACH IN SEPERATE BOXES.**  
**SECONDARY LOCK TO BE ORDERED SEPERATELY !**

**Anlieferungszustand:**  
**Teile werden separat geliefert.**  
**Zweite Kontaktsicherung muss separat bestellt werden !**

NOTES:  
 Bemerkungen:  
 1 MATED WITH TE-PN: 0-1563123-1  
 Verwendet mit TE-PN: 0-1563123-1  
 SC SIGNIFICANT CHARACTERISTIC  
 Significantes Merkmal

PART NO	DESCRIPTION	COLOUR	ITEM NO
0-1563125-2	10POS. MIXED TAB HOUSING	NATURE	1
0-1563125-1	10POS. MIXED TAB HOUSING	BLACK SIMILAR RAL9011	1

PARTS LIST

DESCRIPTION	FINISH	TERMINALS TE-NO.
MCON 1.2 LL TAB CONTACT (0.25mm <sup>2</sup> -0.35mm <sup>2</sup> ) WITH INS.Ø1.1-Ø1.75	TIN PLATE	5-1418758-1
MCON 1.2 LL TAB CONTACT (0.5mm <sup>2</sup> -0.75mm <sup>2</sup> ) WITH INS.Ø1.4-Ø1.9	TIN PLATE	5-1418760-1
MCP 2.8x0.8 TAB CONTACT (0.2mm <sup>2</sup> -0.5mm <sup>2</sup> ) WITH INS.Ø1.3-Ø1.6	TIN PLATE	1-963860-1
MCP 2.8x0.8 TAB CONTACT (0.5mm <sup>2</sup> -1.0mm <sup>2</sup> ) WITH INS.Ø1.4-Ø2.1	TIN PLATE	1-962841-1
MCP 2.8x0.8 TAB CONTACT (>1.0mm <sup>2</sup> -2.5mm <sup>2</sup> ) WITH INS.Ø2.1-Ø2.9	TIN PLATE	1-962842-1
DESCRIPTION	FINISH	TERMINALS TE-NO.
Beschreibung	Oberflaeche	Kontakte TE-Nr.

THIS DRAWING IS A CONTROLLED DOCUMENT.		DWN G.PUCKEL 27AUG2007
DIMENSIONS: mm		CHK K.ROTH 27AUG2007
TOLERANCES UNLESS OTHERWISE SPECIFIED:		APVD G.PUCKEL 27AUG2007
0 PLC	±0.50	PRODUCT SPEC
1 PLC	±0.50	
2 PLC	±0.50	APPLICATION SPEC
3 PLC	±	
4 PLC	±	
ANGLES	±2°	
MATERIAL		WEIGHT -
		CUSTOMER DRAWING

**TE** TE Connectivity

NAME: 10POS MIXED TAB HOUSING  
 8 x MCON1.2 AND 2 x MCP2.8

SIZE: A2 CAGE CODE: 00779 DRAWING NO: C=1563125 RESTRICTED TO: B5

SCALE: 5:1 SHEET 1 of 1 REV: B5