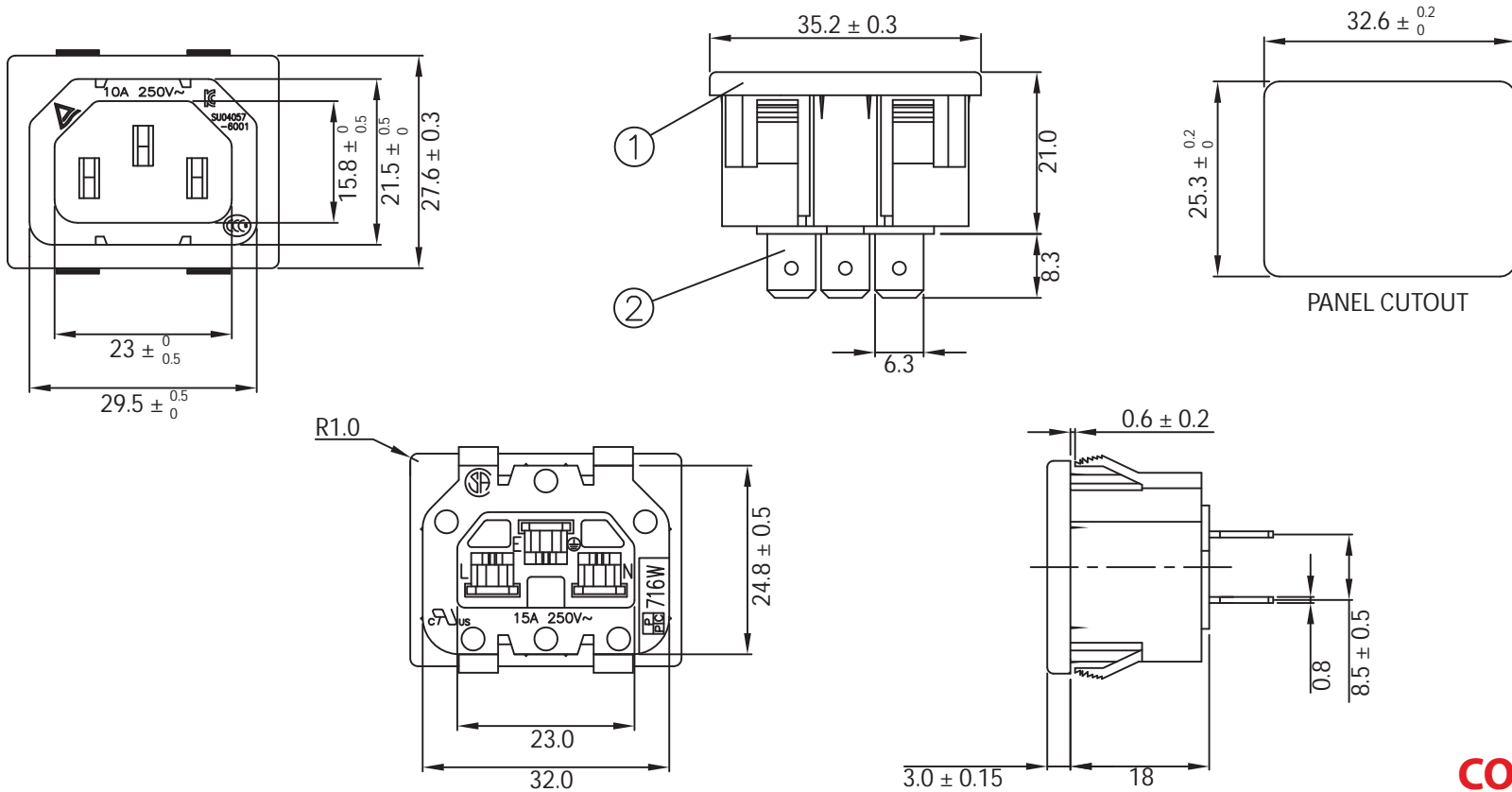


THESE DRAWINGS ARE THE PROPERTY OF QUALTEK ELECTRONICS AND NOT TO BE REPRODUCED FOR OR COMMUNICATED TO A THIRD PARTY WITHOUT THE EXPRESS WRITTEN PERMISSION OF AN OFFICER OF QUALTEK ELECTRONICS.

REVISION			
REV.	DESCRIPTION	DATE	APPROVED
B	RoHS Compliancy	06-01-06	DP
C	Updated Graphics and DImensions	06-02-10	LY
D	Added RTI Information	03-11-11	LY
E	Updated Dimensions	03-23-11	LY
F	Added Terminal Material and Tolerances	03-29-11	LY
G	Depth Change to meet UL 60320 and Updated Approvals	11-26-18	LY



NOTES:

RATING:

UL, CSA:15A 250V AC
TUV, CCC: 10A 250V AC
APPROVALS: UL, CSA, TUV, CCC
PANEL THICKNESS: 0.8~2.0mm
RoHS COMPLIANT

CONTROLLED

2	Contact PIN Brass Strip t=0.8mm Ni-Plated	3	
1	Body Insulator PC Black Color UL94V-0	1	
Dim range (mm)	Tolerance +/- (mm)	Qualtek Electronics Corp.	
		PPC DIVISION	
		Part Number: 716W-X2/03	RoHS Compliant
		Description: AC RECEPTACLE	
0-1	0.40	UNIT: mm	REV. G
1-6	0.40		
6-18	0.50	Drawn / Date	Checked / Date
18-50	0.50		
50-120	0.70	B.ZHANG 03-10-04	Approved / Date
120-250	0.90		
250-500	1.20		
		03-10-04	JJH / 03-10-04

Mouser Electronics

Authorized Distributor

Click to View Pricing, Inventory, Delivery & Lifecycle Information:

[Qualtek:](#)

[716W-X2/03](#)