

Max. 1000 m³/h

AC axial fans

□ 225 x 80 mm

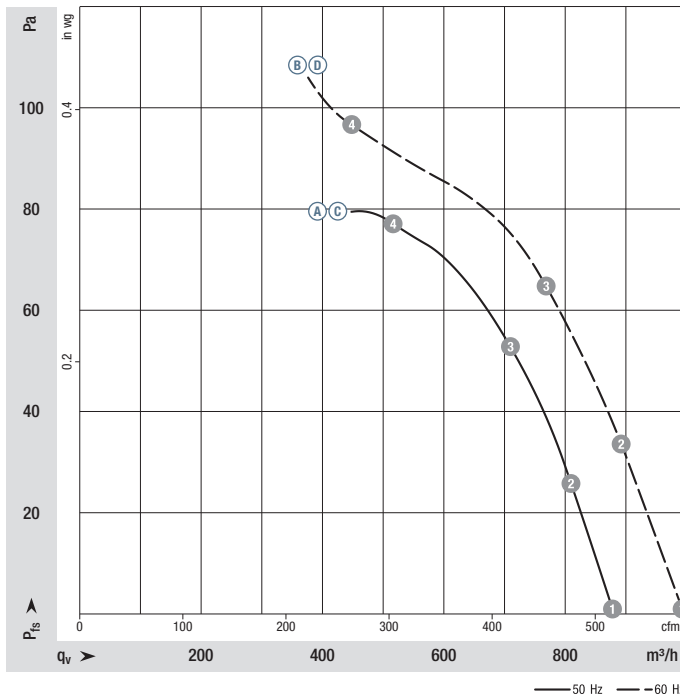


- **Material:** Housing: Die-cast-aluminum
Impeller: Sheet steel, painted black
Rotor: Painted black
- **Number of blades:** 7
- **Direction of air flow:** "V"
- **Direction of rotation:** Counterclockwise, looking towards rotor
- **Degree of protection:** IP 44, depending on installation and position
- **Insulation class:** "B"
- **Installation position:** Any
- **Condensation drainage holes:** None
- **Mode of operation:** Continuous operation (S1)
- **Bearings:** Maintenance-free ball bearings

Nominal data		Curve	Nominal voltage	Frequency	Air flow	Nominal speed	Power consumption	Input current	Capacitor	Sound power level	Max. back-pressure	Admissible amb. temp.	Weight	Connection diagram
Type	Motor	VAC	Hz	m ³ /h	rpm ⁻¹	W	A	F/VDB	dB(A)	Pa	°C	kg		
W2E 200-HK86-01	M2E 068-BF	A	1~115	50	880	2550	64	0.58	5.0/220	—	80	-25...+60	2.0	P. 263 / A1)
		B	1~115	60	1000	2800	80	0.70	5.0/220	—	95	-25...+65	2.0	
W2E 200-HK38-01	M2E 068-BF	C	1~230	50	880	2550	64	0.29	1.5/450	—	80	-25...+60	2.1	P. 263 / A1)
		D	1~230	60	1000	2800	80	0.35	1.5/450	—	95	-25...+65	2.1	

Subject to change

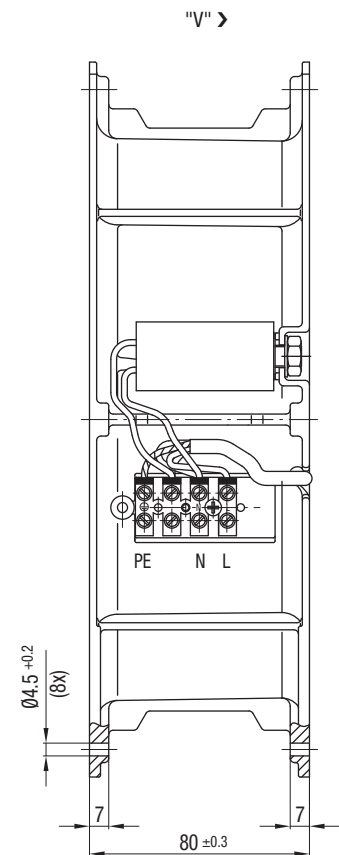
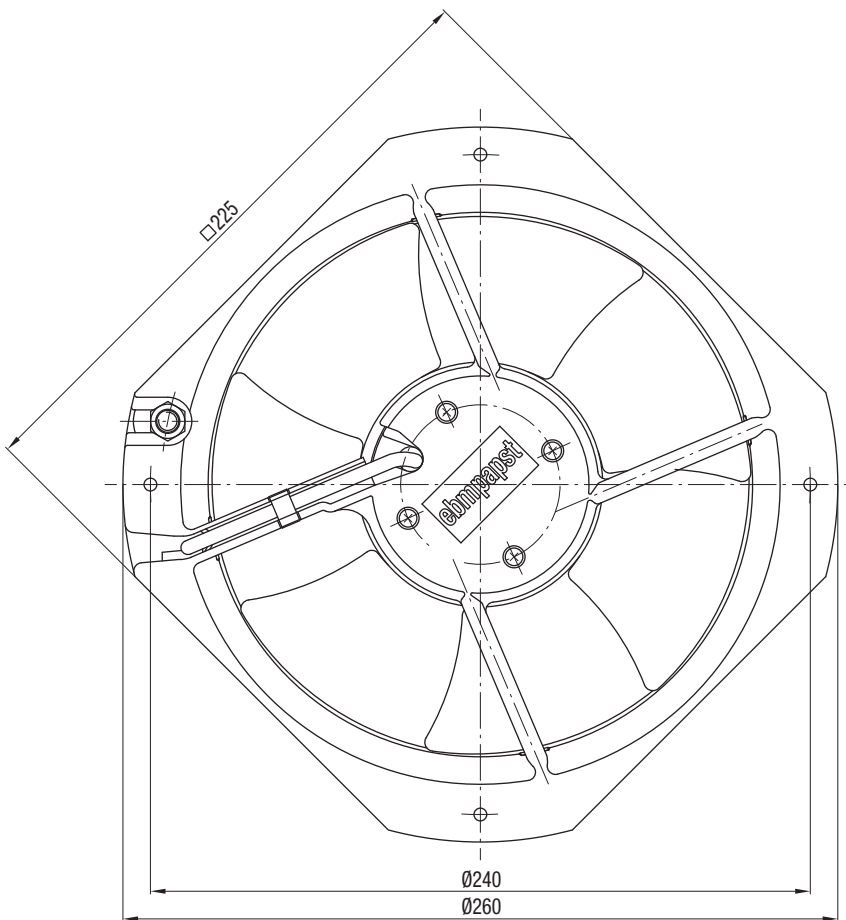
Curves:



	n rpm ⁻¹	P _{ed} W	I A	L _{WA} dB(A)
A 1	2640	56	0.56	—
A 2	2595	58	0.57	—
A 3	2550	61	0.58	—
A 4	2480	64	0.60	—
B 1	2980	67	0.58	—
B 2	2880	71	0.62	—
B 3	2790	75	0.65	—
B 4	2660	80	0.69	—
C 1	2630	60	0.30	—
C 2	2585	64	0.31	—
C 3	2530	66	0.31	—
C 4	2480	69	0.32	—
D 1	3000	70	0.31	—
D 2	2935	73	0.32	—
D 3	2850	77	0.34	—
D 4	2705	83	0.36	—

Air performance measured according to: ISO 5801, Installation category A. For detailed information on the measurement setup, contact ebmpapst. Suction-side noise levels: L_{WA} according to ISO 13347, L_{pA} measured at 1 m distance from fan axis. The values given are applicable only under the specified measuring conditions and may differ depending on the installation conditions. In the event of deviation from the standard configuration, the parameters must be checked after installation! For detailed information see <http://www.ebmpapst.com/general-conditions>

- **Motor protection:** Thermal overload protector (TOP) connected internally
- **Touch current:** < 0.75 mA acc. to IEC 60990 (test circuit, illustration 4)
- **Cable exit:** Variable
- **Electrical hookup:** Via terminal strips, capacitor connected
- **Protection class:** I (with customer connection to grounding conductor)
- **Conformity with standard(s):** EN 60335-1, CE
- **Approvals:**
 - Ⓐ Ⓑ EAC, UL 507, VDE, CSA C22.2 no. 113, CCC
 - Ⓒ Ⓓ EAC, UL 2111, VDE, CSA C22.2 no. 113, CCC



Mouser Electronics

Authorized Distributor

Click to View Pricing, Inventory, Delivery & Lifecycle Information:

[ebm-papst:](#)

[W2E200-HH38-01](#) [W2E200-HH82-01](#) [W2E200-HK38-01](#) [W2E200-HK86-01](#) [W2E200-HH86-90](#) [W2E200-HH38-05](#)
[W2E200-CE31-14](#) [W2E200-HH86-05](#) [W2E200-HK38-01A](#) [W2E200-CF02-02](#) [W2E200-HH86-14](#) [W2E200-CF02-01](#)
[W2E200-HK86-01A](#) [W2E200-HH82-18](#) [W4S200-HK04-01](#)