

**(b) Technical specification:**

**Technische Daten:**

Temperature range/ - 35 °C ... + 90 °C  
 Temperaturbereich:

**Materials/**

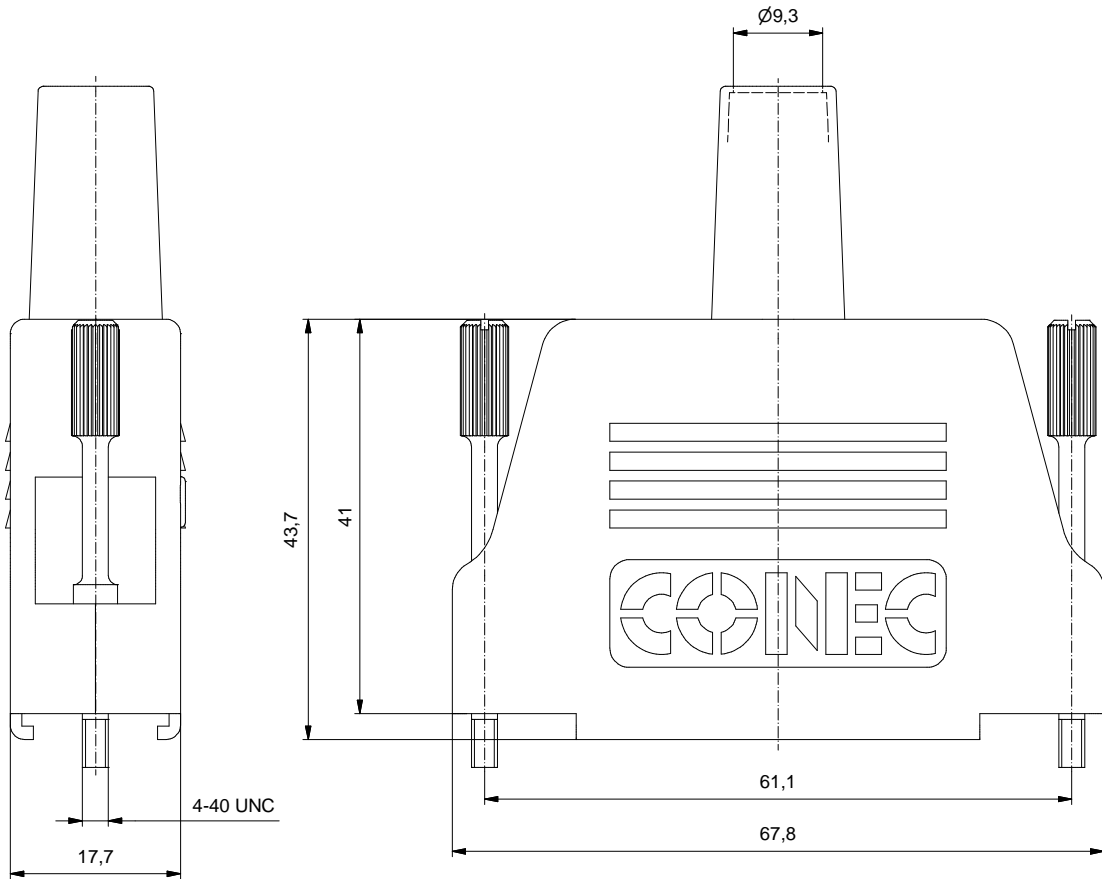
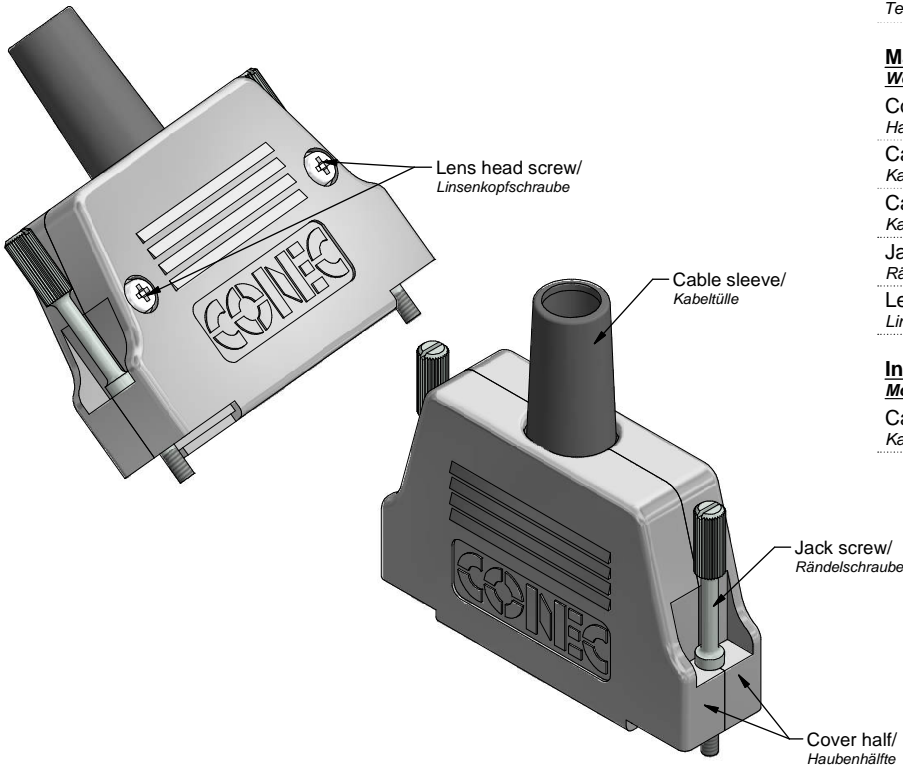
**Werkstoffe:**

Cover half/ Haubenhälfte:	GD-Zn, Ni
Cable strain relief/ Kabel Zugentlastung:	Steel, Ni
Cable sleeve/ Kabeltülle:	Rubber
Jack screw/ Rändelschraube:	Steel, Ni
Lens head screw/ Linsenkopfschraube:	Steel, Ni

**Installation specification/**

**Montagedaten:**

Cable outlet/  
Kabelausgang: straight/ gerade



Part no./ Art.-Nr.	
165X17349X	Bulk package/ Massenverpackung
165X17349XE	Single package/ Einzelverpackung

dim. in mm		Full metal hood 50pos. with straight cable exit Vollmetallhaube 50pol. mit gradem Kabelausgang		
drawn/ gez.	Date/Datum			Name
appd./ gepr.	16.04.2018			Unkrüer
	17.04.2018			Schmidt
Index: b Ä7223 16.04.18 L.U.	scale/Maßstab:	dwg no / Z.-nr.:	DIN- A3	
Status: InBearbeitung	2:1	16K1A4050	1 / 1	
RoHS compliant/konform				

The reproduction, distribution and utilization of this document as well as the communication of its contents to others without express authorization is prohibited. Offenders will be held liable for the payment of damages. We reserve the right to withdraw advertising and notices, without notice and without obligation of compensation.

# Mouser Electronics

Authorized Distributor

Click to View Pricing, Inventory, Delivery & Lifecycle Information:

[CONEC:](#)

[165X17349X](#) [165X17349XE](#)