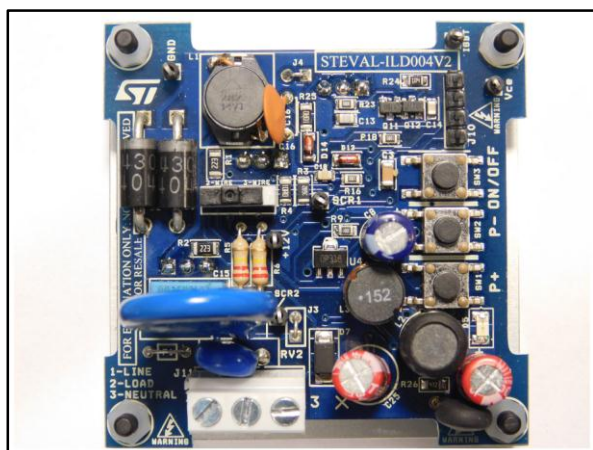


## Digital wall dimmer for halogen and low-consumption lamps

Data brief



### Features

- Flicker-free operation with paralleled lamps
- Operation in 2- or 3-wire configuration
- Leading-edge control
- Operation at 110 V or 230 V line rms voltage and 50 Hz or 60 Hz line frequency
- Dimmable power range:
  - 3 W to 600 W for 230 V rms line
  - 3 W to 300 W for 110 V rms line
  - higher power is possible with larger heatsink
- Power efficiency @ 600 W - 230 V > 99%
- Standby loss @ 230 V < 0.3 W
- Short-circuit protection at startup
- Enhanced interface with push-buttons; soft-start and soft-stop; memory of last setting
- Compliance with EMC standards:
  - IEC 61000-4-5: criteria A for 2 kV surge
  - IEC 61000-4-4: criteria A for more than 4 kV
- Filterless compliance with EN55015 for 600 W -230 V halogen lamp
- RoHS compliant

### Description

The STEVAL-ILD004V2 evaluation board represents an innovative and low cost power topology for light wall dimmers using two sensitive TS820-600FP SCRs and a single STGF10NC60KD IGBT to dim 100 - 240 V halogen lamps, SELV halogen lamps through magnetic or electronic transformers, and new CFL and LED dimmable lamps.

Control of the board is achieved with STM8S103F2 microcontroller.

In comparison with STEVAL-ILD004V1, this board introduces a buck SMPS (operated through the VIPer06XS) instead of a linear power supply, for compatibility across all dimmable LED and CFL lamps.



Figure 2: STEVAL-ILD004V2 circuit schematic (2 of 3)

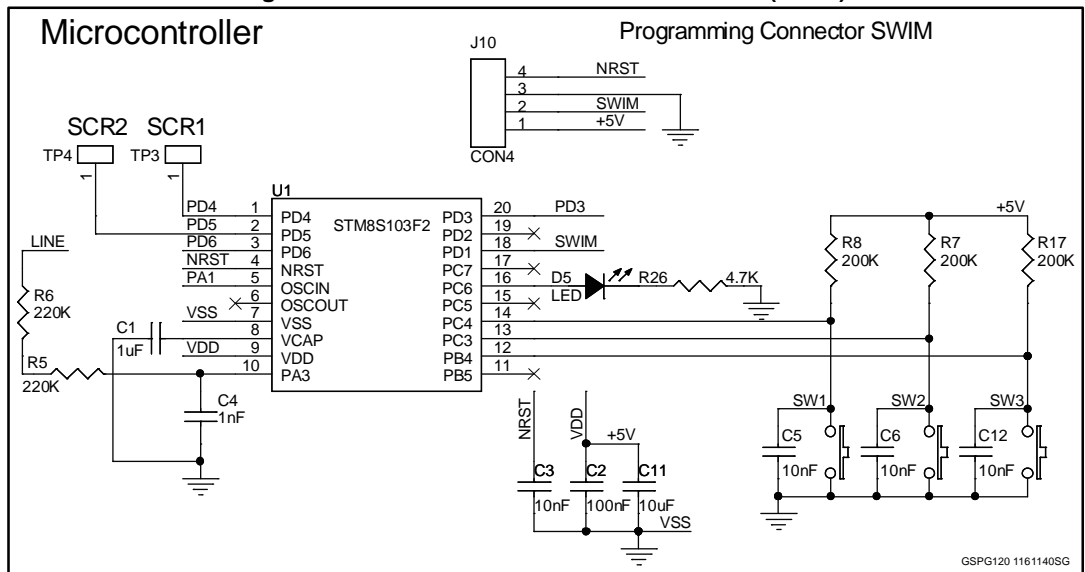
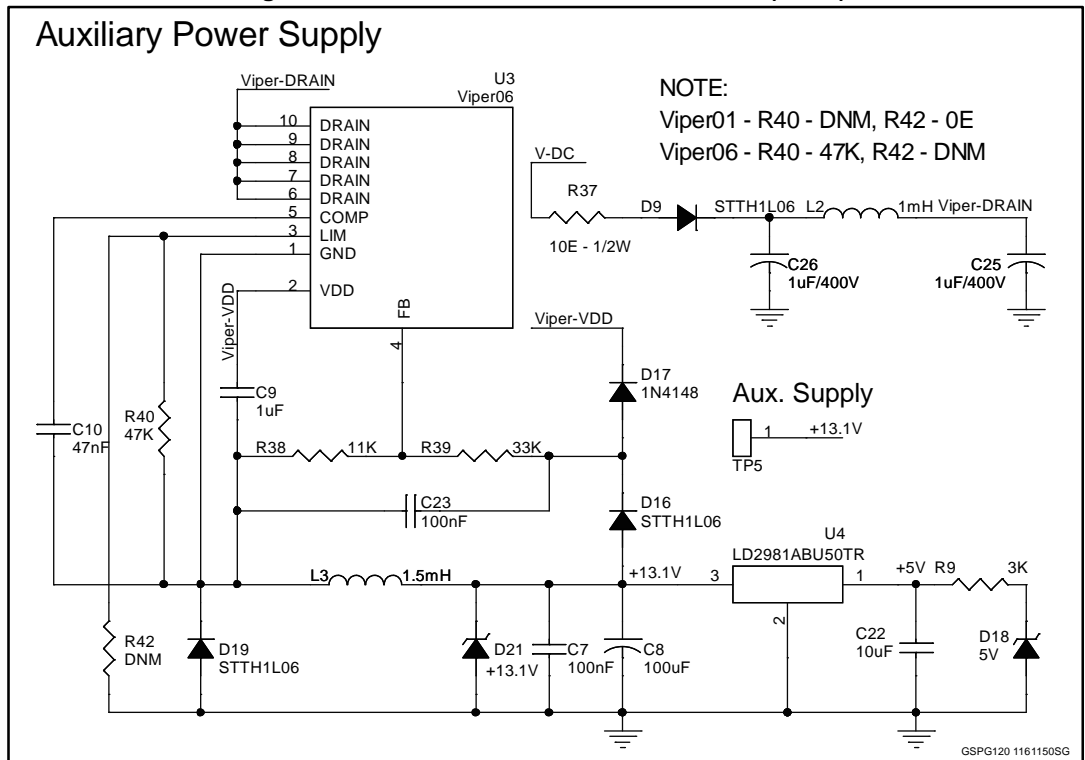


Figure 3: STEVAL-ILD004V2 circuit schematic (3 of 3)



## 2 Revision history

Table 1: Document revision history

Date	Version	Changes
22-Jan-2016	1	Initial release.

**IMPORTANT NOTICE – PLEASE READ CAREFULLY**

STMicroelectronics NV and its subsidiaries ("ST") reserve the right to make changes, corrections, enhancements, modifications, and improvements to ST products and/or to this document at any time without notice. Purchasers should obtain the latest relevant information on ST products before placing orders. ST products are sold pursuant to ST's terms and conditions of sale in place at the time of order acknowledgement.

Purchasers are solely responsible for the choice, selection, and use of ST products and ST assumes no liability for application assistance or the design of Purchasers' products.

No license, express or implied, to any intellectual property right is granted by ST herein.

Resale of ST products with provisions different from the information set forth herein shall void any warranty granted by ST for such product.

ST and the ST logo are trademarks of ST. All other product or service names are the property of their respective owners.

Information in this document supersedes and replaces information previously supplied in any prior versions of this document.

© 2016 STMicroelectronics – All rights reserved

# Mouser Electronics

Authorized Distributor

Click to View Pricing, Inventory, Delivery & Lifecycle Information:

[STMicroelectronics:](#)

[STEVAL-ILD004V2](#)