

TABLE 1	SUB ASSEMBLY PART NO. AND CH. CODE	NO.	PART NO. AND CH. CODE	△PART NAME	MATERIAL	COLOR	QTY.
7283-8220 ETC.	①	SEE TABLE 2	2. 3II 2P SEALED HOUSING FEMALE	PBT	SEE TABLE 2	1	
	②	7157-4347	2. 3II 2P SEALED HOUSING SPACER FEMALE	PBT	NATURAL	1	
	③	△7137-2240-60	2. 3II 2P SEALED HOUSING PACKING	△SILICONE RUBBER	△LIGHT GREEN	1	

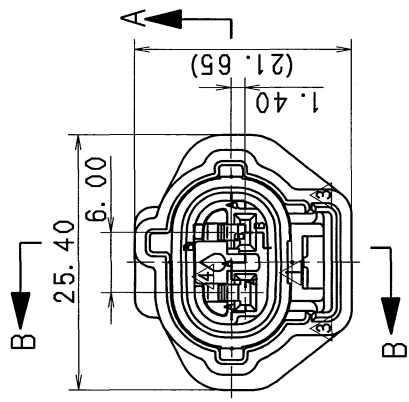
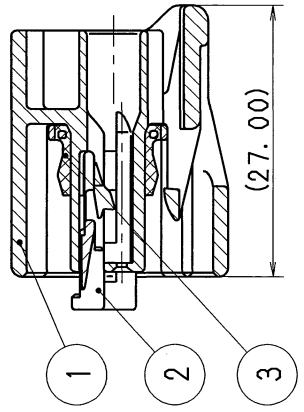


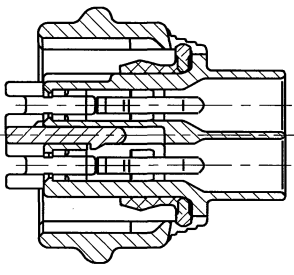
TABLE 2

SUB ASSEMBLY PART NO. AND CH. CODE	PART NO. AND CH. CODE	COLOR
7283-8220-□	7183-8220	NATURAL
7283-8220-10-□	7183-8220-10	DARK GRAY
7283-8220-30-□	7183-8220-30	BLACK
7283-8220-40-□	7183-8220-40	LIGHT GRAY
7283-8220-80-□	7183-8220-80	BROWN



注

△ 1. 取扱説明書No. : YPES-15-222



SEC. B-B

NOTE

△ 1. HANDLING MANUAL NO. : YPES-15-222

SEC. A-A

△ 12.03.20	ADDED NOTE, ETC.	C12-Z320	R. B
△ 08.03.31	CHANGED PART NO., ETC.	C08-Z229	C. T
△ 00.11.20	CHANGED FORM, COLOR & MATERIAL	C00-M527	C. T
△ 00.05.13	CORRECT ALL ERRORS & ELIMINATED COLOR NO.	C00-L688	H. T
△ 97.05.08	CHANGED FORM, △	C97-L778	H. K
93.03.17	NEW	C93-L325	H. F
LET DATE	REVISION RECORD NO.	CHKD	
GENERAL TOLERANCE			
10MAX	50MAX	100MAX	250OVR
A ±0.15	±0.2	±0.3	±0.5
B ±0.2	±0.3	±0.55	±0.95
(C) ±0.3	±0.5	±0.8	±1.4
SPECIFIED			

CUSTOMER	CUSTOMER PART NO.	CUSTOMER DWG NO.	MATL. SPEC.	SEE TABLE 1	TREAT. & FIN.	ISSUE MARK
OFFICE	OFFICE	TRIAL PART NO.	NAME △2. 3II 2P SEALED HOUSING			
VENDOR	VENDOR NO.		FEMALE SUB ASSEMBLY			
DWG TYPE	DWG SOURCE	DWG DATE	UNIT	SCL	ANGLE	PART NO.
R	NEW	93.03.17	mm	2/1	3	CH. CODE
APPROVED	CHECKED	CHECKED	DESIGN	DRAWN		DWG NO.
M. FUKUDA	Y. SASAKI	K. KIDA	TAKEUCHI	R. BUERANO		SET DWG NO.
12.03.20	12.03.20	12.03.20	90.04.06	12.03.20		YAZAKI CORPORATION



# Mouser Electronics

Authorized Distributor

Click to View Pricing, Inventory, Delivery & Lifecycle Information:

[Yazaki:](#)

[72838220](#)