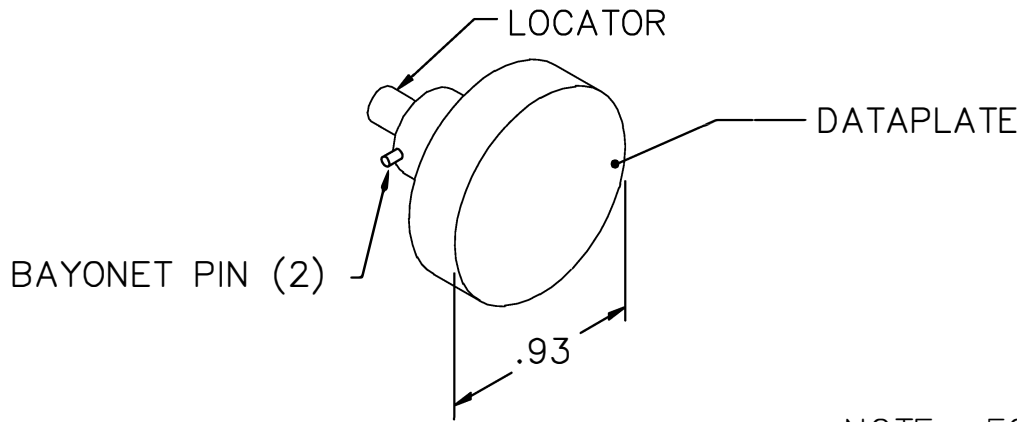
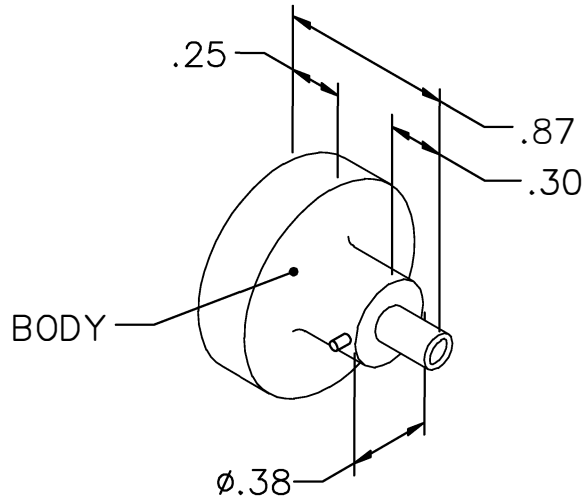



REVISIONS				
REV. SYM.	E.C.O. NUMBER	DESCRIPTION	BY DATE	APP'D DATE
1		ORIGINAL RELEASE	JWJ 5/4/03	RRR 5/4/03

**UNCONTROLLED DOCUMENT
WILL NOT BE UPDATED**





Jupiter

PART NO: JBX 2 OUT LP07

WIRE SIZE	22	24	26
POS.	6	5	5

USE WITH CONTACT NO:
JBX 2 CT MC07
ø0.7mm PIN, SIZE 2

NOTE: FOR USE WITH DANIELS CRIMP TOOL MH860.

LOCATOR	
HOLE DIMENSIONS	ADDITIONAL FEATURES
ϕ .031 ∇ .504	\sqsupset ϕ .078 ∇ .30

RESTRICTED & CONFIDENTIAL

CONFIDENTIAL PROPERTY OF DANIELS MANUFACTURING CORP. NOT TO BE DISCLOSED TO OTHERS, REPRODUCED OR USED FOR ANY OTHER PURPOSE, EXCEPT AS AUTHORIZED IN WRITING BY DANIELS MANUFACTURING. MUST BE RETURNED TO DANIELS MANUFACTURING CORP. ON COMPLETION OF ORDER OR OTHER PURPOSE FOR WHICH LENT.

DO NOT SCALE DRAWING

DRN.	J. JOYCE	DATE	5/4/03
CHK'D.	RRR	DATE	5/4/03
APP'D.		DATE	
APP'D.		DATE	
NOTE:			
THIS DRAWING IS AN OUTLINE DRAWING OF THE RESPECTIVE DMC PART NUMBER INDICATED. ACTUAL DMC PART NUMBER IS DRAWING NUMBER WITHOUT THE "-ENV" SUFFIX.			

DMC

DANIELS MANUFACTURING CORP.
 ORLANDO, FLORIDA
 CAGE 11851

TITLE
POSITIONER
ENVELOPE DRAWING

WHERE USED: MH860

SIZE	SCALE	CAD P/N	SHEET	OF
A	NTS	86-202-ENV	1	1
POSTING	DWG. NO.	86-202-ENV	REV.	1

Mouser Electronics

Authorized Distributor

Click to View Pricing, Inventory, Delivery & Lifecycle Information:

[Daniels Manufacturing:](#)

[86-202](#)