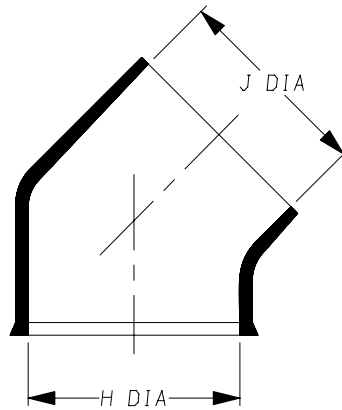
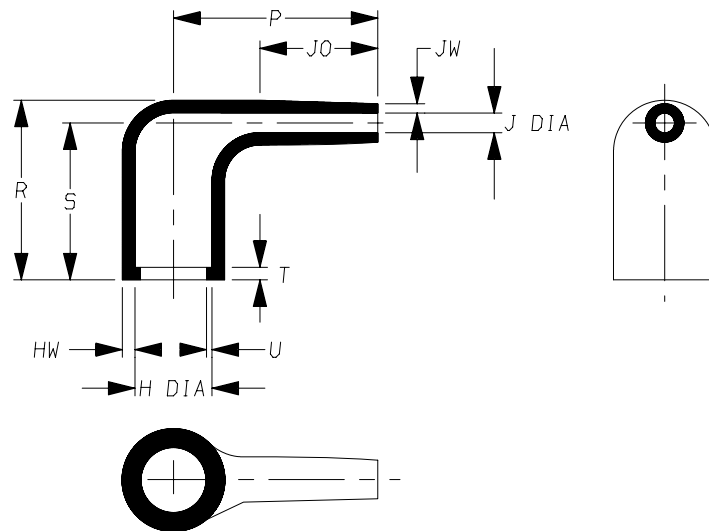


224W201

a) Part as supplied.



b) Part after unrestricted recovery.



**DIMENSIONS** in millimetres  
(in inches, for reference)

| Part No. | H            |               | J             |               | P            | R              | S            | T             | U              | JO            | HW            | JW            |
|----------|--------------|---------------|---------------|---------------|--------------|----------------|--------------|---------------|----------------|---------------|---------------|---------------|
|          | Min<br>a     | Max<br>b      | Min<br>a      | Max<br>b      | ±10%<br>b    | ±10%<br>b      | ±10%<br>b    | ±10%<br>b     | ±10%<br>b      | ±10%<br>b     | ±20%<br>b     | ±20%<br>b     |
| 224W201  | 11<br>(0.43) | 5.2<br>(0.20) | 9.0<br>(0.35) | 1.6<br>(0.06) | 13<br>(0.51) | 11.5<br>(0.45) | 10<br>(0.39) | 0.8<br>(0.03) | 0.35<br>(0.01) | 7.5<br>(0.30) | 0.8<br>(0.03) | 0.6<br>(0.02) |

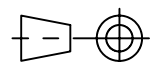
**Copyright (!)**

The copyright in this drawing is the property of Tyco Electronics UK Ltd. The drawing is issued on the condition that it is not copied, reproduced or disclosed to a third party, either in whole or in part without the prior written consent of Tyco Electronics UK Ltd.

Drawn A.LILLEY. Checked Issue 1 Date April 2006

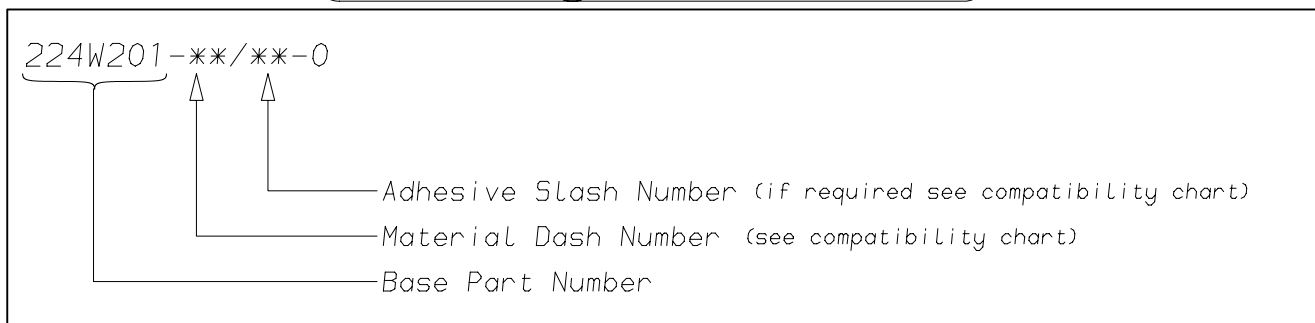
Conforms to ISO Recommendations  
3rd Angle Projection  
Not to Scale

Approval Design MKTG. Q.A.



|                |      |  |                               |         |
|----------------|------|--|-------------------------------|---------|
| <b>Raychem</b> |      | <b>Specification<br/>Control Drawing</b> | Part Number<br><b>224W201</b> | Issue 1 |
| Iss.           | Date | E.C.R.<br>No.                            | Details of Change             |         |
|                |      |  |                               |         |

### (Ordering Information)



### (COMPATIBILITY CHART)

| Material Dash Number | Material Description            | SPEC Number      | Coating Slash Number |
|----------------------|---------------------------------|------------------|----------------------|
| -3                   | POLYOLEFIN, SEMI-RIGID          | RT-301, RK-6703  | /42, /86, /180       |
| -4                   | POLYOLEFIN, FLEXIBLE            | RT-1304, RK-6704 | /42, /86             |
| -25                  | ELASTOMER, FLUID RESISTANT      | RT-1325, RK-6713 | /42, /86, /225       |
| -130                 | POLYOLEFIN, COMMERCIAL FLEXIBLE | RW-2008          | /42                  |
|                      |                                 |                  |                      |
|                      |                                 |                  |                      |
|                      |                                 |                  |                      |

#### NOTES

- ① As supplied dimensions are for uncoated parts, when coating is added entry diameters will reduce by 1.5mm Max.

|  |   |
|--|---|
| Tyco electronics UK Ltd.<br>Faraday Road,<br>Swindon, Wiltshire, SN3 5HH<br>England<br>Telephone: (01793) 528171 Fax: 572516 | Tyco electronics Corporation<br>300, Constitution Drive,<br>Menlo Park, CA 94025<br>USA<br>Telephone (650) 361-3860 Fax: (650) 361-5579 |
| Cage Code K1010  | Cage Code 06090   |

# Mouser Electronics

Authorized Distributor

Click to View Pricing, Inventory, Delivery & Lifecycle Information:

[TE Connectivity:](#)

[224W201-25/225-0](#)