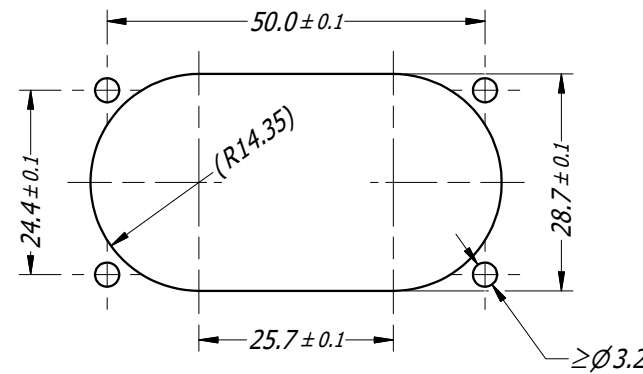
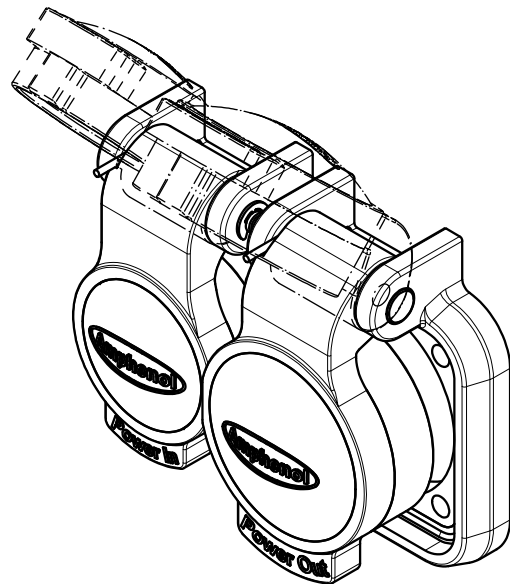
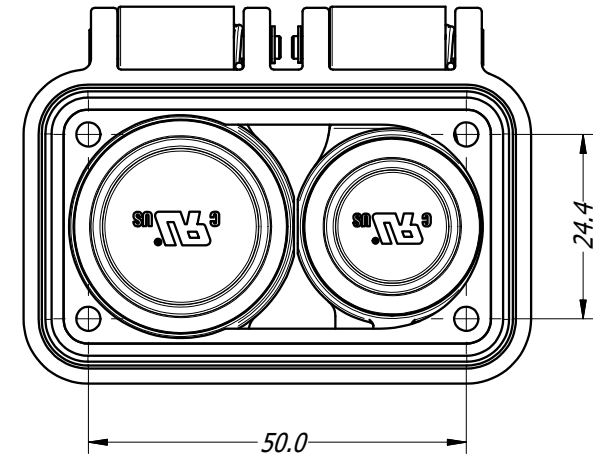
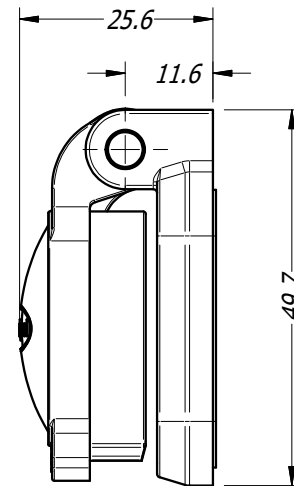
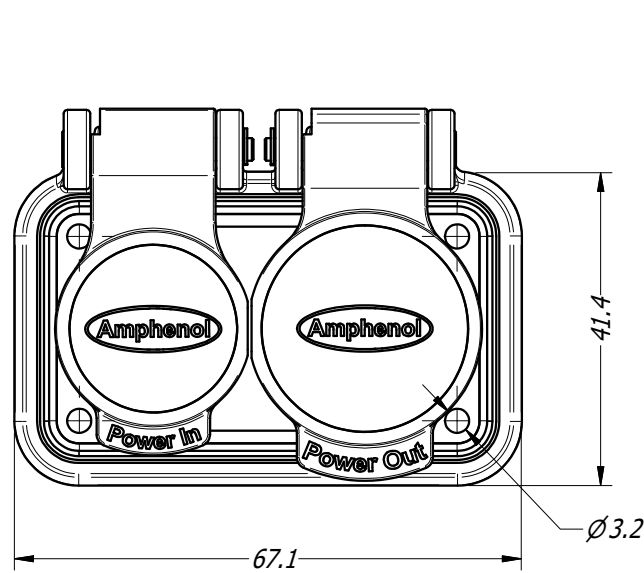


**CAUS**



**PANEL CUTOUT**

- NOTES**
- USE #4 OR M3 SCREW.
  - TIGHTEN TO 0.4 N-m ( 3.5 lb-in)

UNLESS OTHERWISE SPECIFIED TOLERANCE TO BE		THIS DOCUMENT IS THE PROPERTY OF AMPHENOL AUSTRALIA PTY. LTD. NO PART THEREOF MAY BE REPRODUCED AND USED WITHOUT THE PRIOR WRITTEN CONSENT OF THE OWNER.				<b>Amphenol</b>		Amphenol Australia Pty.Ltd, 22 Industry Blvd Carrum Downs, VIC 3201	
LINEAR		ANGULAR		MATERIAL:	DRN: T.N	DATE: 26/07/19	TITLE:	PART No:	REV
X ± 0.5	X' ± 1				CKD: P.M	DATE: 26/07/19	<b>PROTECTIVE CAP</b>	<b>HPT-CAPSD</b>	<b>1</b>
X.X ± 0.1	X.X' ± 30'			FINISH:	APP'D: P.M	DATE: 26/07/19	<b>HPT SERIES DUAL P/M</b>	DRAWING No.	SHEET
X.XX ± 0.05	X.XX" ± 15'			DO NOT SCALE	SCALE: <b>1:1</b>	SIZE: <b>A4</b>	<b>SPRING LOADED</b>	<b>55011286-000-4</b>	<b>4/4</b>
DIMENSIONS IN MILLIMETRES				THIRD ANGLE PROJECTION					

# Mouser Electronics

Authorized Distributor

Click to View Pricing, Inventory, Delivery & Lifecycle Information:

[Amphenol:](#)

[HPT-CAPSD](#)