

AI-XL 1,5- 8 BK - Ferrule

3201916

<https://www.phoenixcontact.com/us/products/3201916>

Please be informed that the data shown in this PDF document is generated from our online catalog. Please find the complete data in the user documentation. Our general terms of use for downloads are valid.

Ferrule, sleeve length: 8 mm, length: 17.5 mm, color: black



Commercial data

Item number	3201916
Packing unit	1 pc
Minimum order quantity	100 pc
Sales key	BH34
Product key	BH341S
Catalog page	Page 485 (C-3-2019)
GTIN	4017918117368
Weight per piece (including packing)	0.238 g
Weight per piece (excluding packing)	0.238 g
Customs tariff number	85369010
Country of origin	DE

Technical data

Product properties

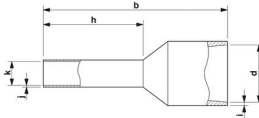
Product type	Cable end sleeve
Conductor category	stranded conductors, class 2, 5, 6 / B, C, K, M

Connection data

Conductor connection

Conductor cross section flexible max.	1.5 mm ²
Conductor cross section AWG max.	16
Stripping length	13 mm

Dimensions

Dimensional drawing	
Length	17.5 mm
Sleeve length	8 mm
Maximum stripping length	13 mm
Ferrule diameter	1.8 mm
Sleeve wall thickness	0.15 mm
Insulating collar thickness	0.3 mm
Inner dimensions of the insulating collar	7 mm

Material specifications

Color	black
Material	CU-DHP
Flammability rating according to UL 94	HB
Coating	tin-plated (galvanic)
Components	free from silicone and halogen

Mechanical properties

Technical data

Sleeve length	8 mm
---------------	------

Environmental and real-life conditions

Ambient conditions

Permanent temperature	105 °C (-40 °C no load / 0 °C dynamic load)
Short-term temperature	120 °C

AI-XL 1,5- 8 BK - Ferrule

3201916

<https://www.phoenixcontact.com/us/products/3201916>



Standards and regulations

Design according to standard

Color code in accordance with DIN 46228-4, UL 486F-E

AI-XL 1,5- 8 BK - Ferrule

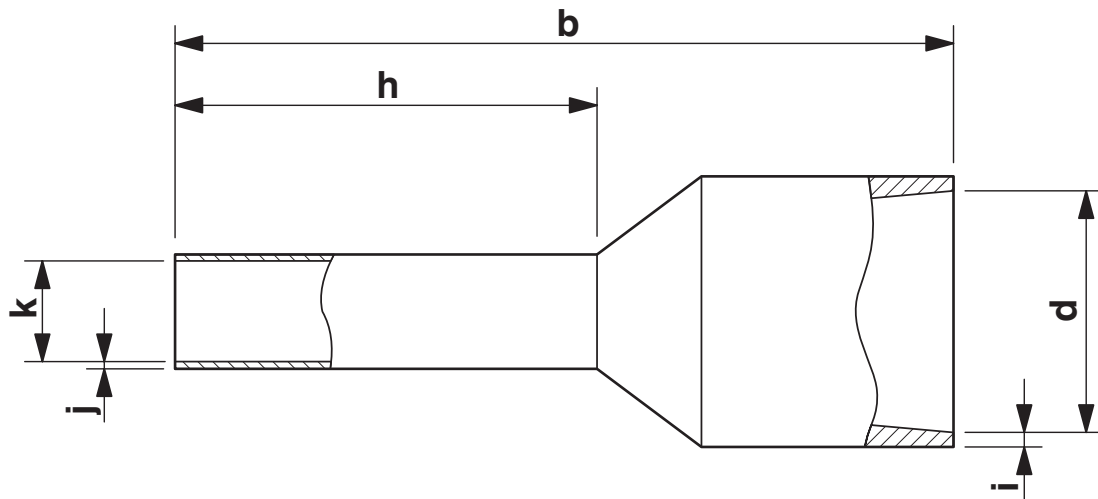
3201916

<https://www.phoenixcontact.com/us/products/3201916>



Drawings

Dimensional drawing



Length (b), sleeve length (h), insulating collar inner dimension (d), sleeve diameter (k), insulating collar thickness (i), sleeve wall thickness (j)

AI-XL 1,5- 8 BK - Ferrule

3201916

<https://www.phoenixcontact.com/us/products/3201916>



Classifications

ECLASS

ECLASS-11.0	27400201
ECLASS-13.0	27400201
ECLASS-12.0	27400201

ETIM

ETIM 8.0	EC000005
----------	----------

UNSPSC

UNSPSC 21.0	27121700
-------------	----------

AI-XL 1,5- 8 BK - Ferrule

3201916

<https://www.phoenixcontact.com/us/products/3201916>



Environmental product compliance

China RoHS	Environmentally friendly use period: unlimited = EFUP-e
	No hazardous substances above threshold values

Phoenix Contact 2023 © - all rights reserved
<https://www.phoenixcontact.com>

Phoenix Contact USA
586 Fulling Mill Road
Middletown, PA 17057, United States
(+717) 944-1300
info@phoenixcon.com