

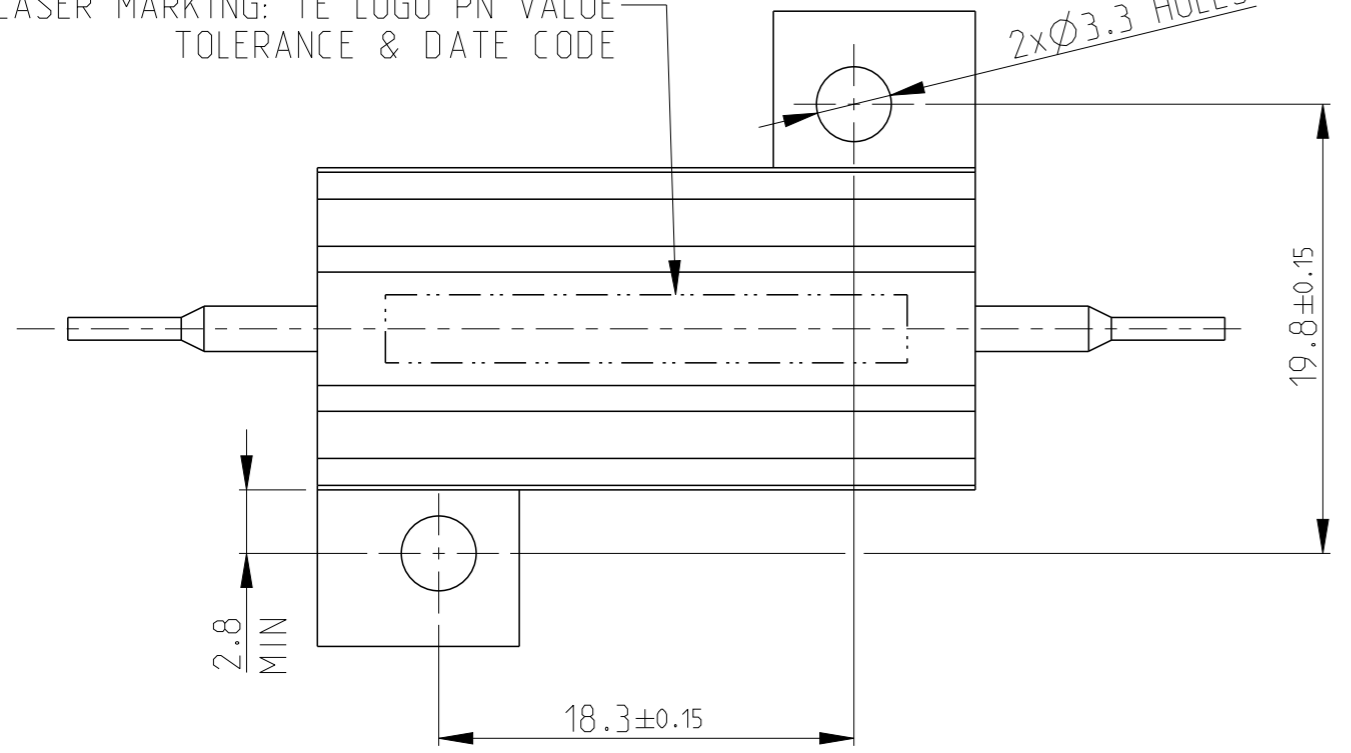
THIS DRAWING IS UNPUBLISHED. RELEASED FOR PUBLICATION OCT. 2005  
 © COPYRIGHT 2005 BY - ALL RIGHTS RESERVED.

REVISIONS

P	LTR	DESCRIPTION	DATE	DWN	APVD
B1		Released as per ECR-08-022292	4-Sep-08	SP	JC
T		ECR-16-003733	12MAR2016	KR	TR

LASER MARKING: TE LOGO PN VALUE  
TOLERANCE & DATE CODE

2xØ3.3 HOLES



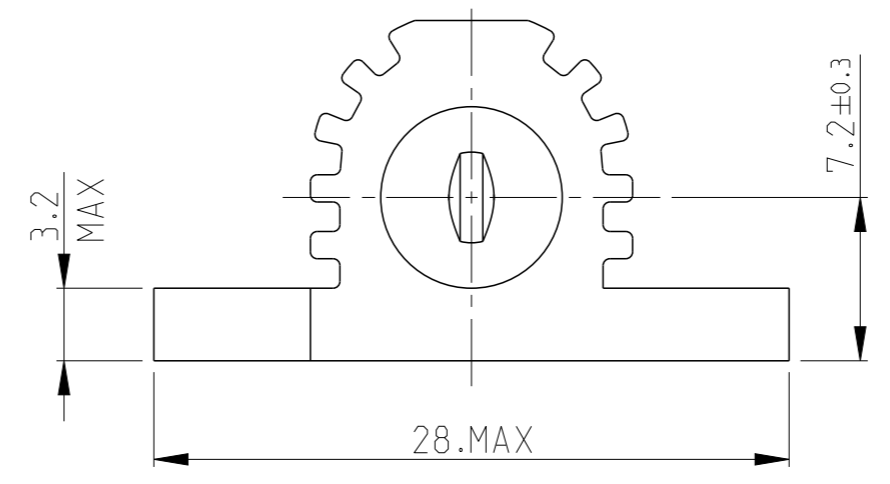
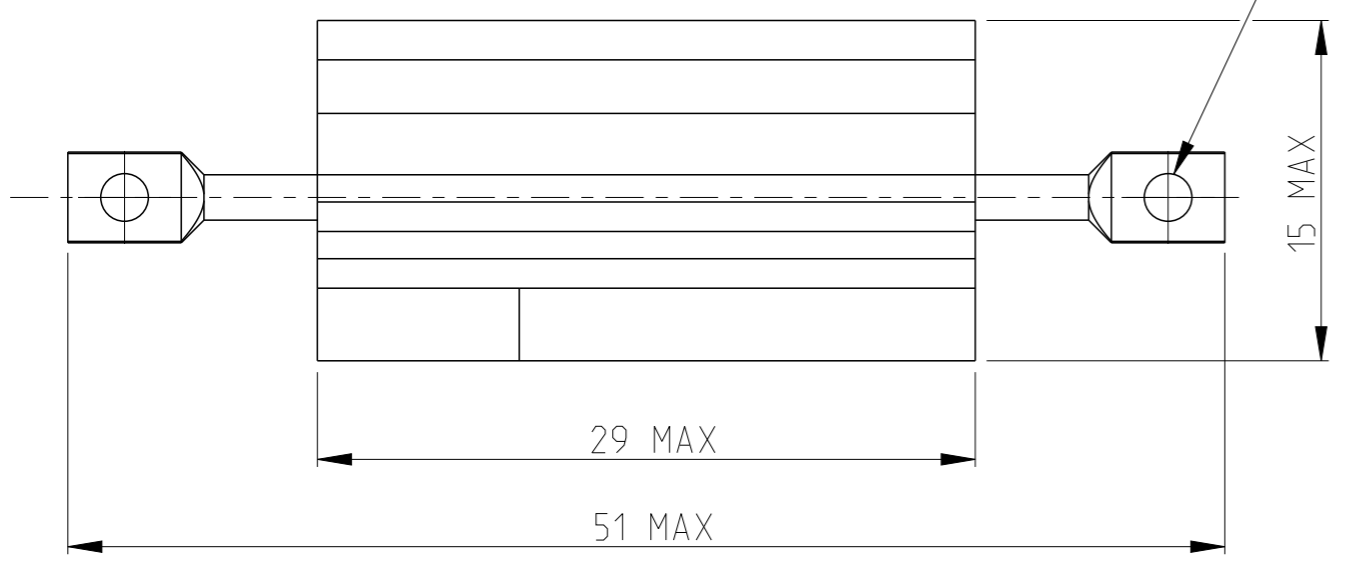
1 FOR FURTHER INFORMATION SEE DATA SHEET FOR HS SERIES-ALUMINIUM HOUSED RESISTORS

2 FOR A SPECIFIC PN FOR A RESISTANCE VALUE AND TOLERANCE, PLEASE REFER TO DMF

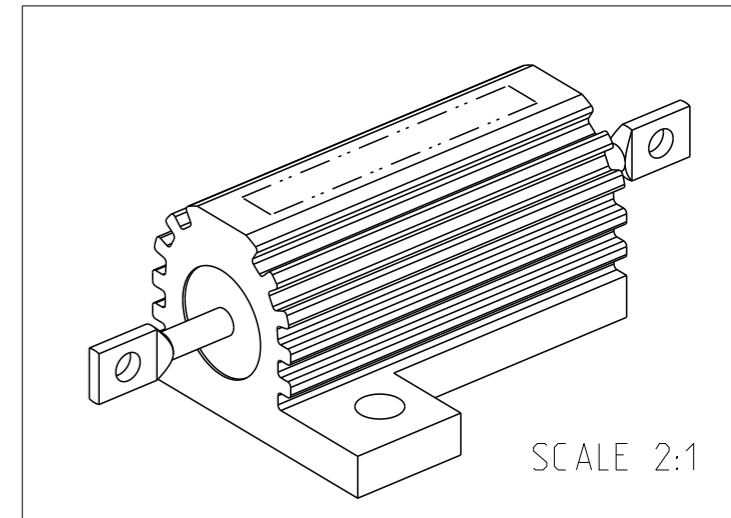
3 TECHNICAL SPECIFICATION


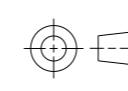
DISSIPATION AT 25°C : 25 WATTS MOUNTED ON STANDARD HEATSINK  
 BS OHMIC RANGE : R051 TO 27K  
 STABILITY : ΔR < =1% PER 1000Hrs  
 ISOLATION VOLTAGE : 2500V DC/AC pk  
 MAX WORKING VOLTAGE : 500V DC/AC rms  
 TEMP COEFFICIENT : > 1R0 50ppm  
 > 100R 25ppm  
 CLIMATIC CATEGORY : 55/200/56

TAG HOLES Ø2/2.2



RoHS Compliant



THIS DRAWING IS A CONTROLLED DOCUMENT.		DWN	DAVE KENNEDY	30,SEP.05	 TE Connectivity NAME HSA25 METAL CLAD RESISTOR			
DIMENSIONS:		CHK	J CATCHPOLE	03.OCT.05				
mm		APVD	J CATCHPOLE	03.OCT.05				
		PRODUCT SPEC		-				
TOLERANCES UNLESS OTHERWISE SPECIFIED:		APPLICATION SPEC		-	SIZE	CAGE CODE	DRAWING NO	RESTRICTED TO
0 PLC	±0.5	WEIGHT		-	A3	00779	©=1676625	-
1 PLC	±0.2	CUSTOMER DRAWING		-	SCALE	3:1	SHEET	1 OF 1
2 PLC	±0.1	MATERIAL		material_2	FINISH	finish_spec_2	REV	T
3 PLC	±	FINISH		-				
4 PLC	±	SCALE		3:1				
ANGLES	±5°	SHEET		1 OF 1				

# Mouser Electronics

Authorized Distributor

Click to View Pricing, Inventory, Delivery & Lifecycle Information:

[TE Connectivity:](#)

[HSA2534RJ](#)