

DIALIGHT PART NUMBER	LED COLOR	DIM "A"	DIM "B"	DIM "C"	DIM "D"	OPERATING CHARACTERISTICS AT 25°C AMBIENT									
						LUMINOUS INTENSITY TEST CONDITION			FORWARD VOLTAGE TEST COND		REVERSE CURRENT (μA)	PEAK WAVELENGTH (nm)	VIEWING ANGLE (DEG)		
						MIN	TYP	MAX	TYP	MAX	MAX	TYP	TYP		
551-0207-010F	GREEN DIFFUSED	.105	.020 SQ.	.122±.008	.043	I _F = 10mA	5.6	16.0	—	I _F = 10mA	2.1	3.0	10	563	45
551-0307-010F	YELLOW DIFFUSED	.105	.020 SQ.	.122±.008	.043	I _F = 10mA	2.2	6.3	—	I _F = 10mA	2.1	3.0	10	585	45
551-0407-010F	RED DIFFUSED	.105	.020 SQ.	.122±.008	.043	I _F = 10mA	3.6	10	—	I _F = 10mA	2.0	3.0	10	650	45
551-0807-010F	BLUE, WHITE DIFF. LENS	.101	.020 SQ.	.110±.004	.043	I _F = 10mA	14.0	22.4	35.5	I _F = 10mA	3.5	4.1	10	428	70
551-1107-010F	RED DIFFUSED	.095	.018 x .016	.118±.010	.040	I _F = 2mA	1.0	1.6	—	I _F = 2mA	1.7	2.2	50	635	60
551-1207-010F	YELLOW DIFFUSED	.095	.018 x .016	.118±.010	.040	I _F = 2mA	1.0	1.6	—	I _F = 2mA	1.8	2.7	50	585	60
551-1307-010F	GREEN DIFFUSED	.095	.018 x .016	.118±.010	.040	I _F = 2mA	1.0	1.6	—	I _F = 2mA	1.9	2.2	50	565	60
551-2507-010F	ORANGE DIFFUSED	.095	.018 SQ.	.115±.010	.040	I _F = 10mA	3.4	7.0	10.8	I _F = 10mA	1.9	2.4	100	600	60
551-3007-010F	RED/GREEN BI-COLOR WHITE DIFFUSED LENS	.095	.020 SQ.	.118±.010	.043	I _F = 10mA	2.5	4.7	—	I _F = 20mA	2.0	2.8	100	635	60
551-3107-010F	YELLOW/GREEN BI-COLOR WHITE DIFFUSED LENS	.095	.018 x .016	.118±.010	.040	I _F = 10mA	2.5	4.3	—	I _F = 20mA	2.1	2.8	100	585	80

REV	ECN NO	REVISIONS	DRN	CKD	APP	DATE
A	—	NEW RELEASE	KLJ	NO	MES	12-11-08
B	—	ADDED P/N 551-0807-010F	AJF	KLJ	NO	2-14-11

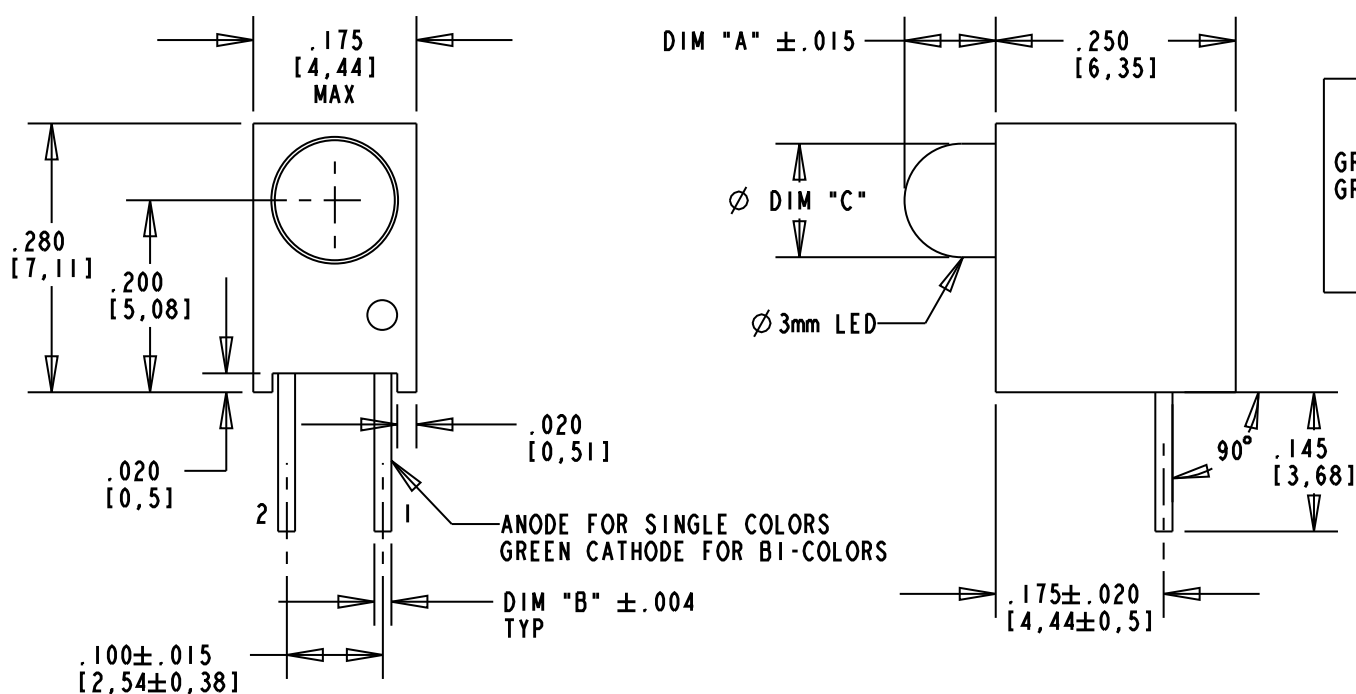
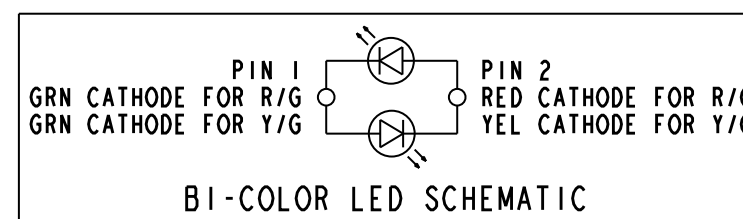
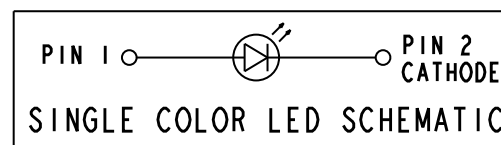
PART NUMBER	ABSOLUTE MAXIMUM RATINGS AT 25°C AMBIENT							
	POWER DISSIPATION (mW)	CONT. FWD CURRENT (mA)	PEAK FWD CURRENT (mA)	LINEAR DERATION (mA/°C)	REVERSE VOLTAGE (V)	SOLDERING TEMPERATURE FOR 5 SEC.	OPERATING TEMPERATURE	STORAGE TEMPERATURE
551-0207-010F	75	25	60	0.5 FROM 50°C	3	260 °C	-25°C /+85 °C	-30°C /+100°C
551-0307-010F	60	20	60	0.5 FROM 50°C	3	260 °C	-25°C /+85 °C	-30°C /+100°C
551-0407-010F	60	20	60	0.5 FROM 50°C	3	260 °C	-25°C /+85 °C	-30°C /+100°C
551-0807-010F	90	20	—	.44 FROM 50°C	5	260 °C	-55°C /+100°C	-55°C /+100°C
551-1107-010F	20	7	—	0.7 FROM 90°C	5	260 °C	-55°C /+100°C	-55°C /+100°C
551-1207-010F	20	7	—	0.7 FROM 90°C	5	260 °C	-55°C /+100°C	-55°C /+100°C
551-1307-010F	20	7	—	0.7 FROM 90°C	5	260 °C	-55°C /+100°C	-55°C /+100°C
551-2507-010F	135	25	90	0.5 FROM 50°C	5	260 °C	-55°C /+100°C	-55°C /+100°C
551-3007-010F	RED	100	30	120	0.4 FROM 50°C	5	260 °C	-55°C /+100°C
	GREEN	100	30	120	0.4 FROM 50°C			
551-3107-010F	YELLOW	60	20	80	0.25 FROM 50°C	5	260 °C	-55°C /+100°C
	GREEN	100	30	120	0.4 FROM 50°C			

NOTES:

- LED LEAD DIMENSIONS SHOWN ARE MEASURED AT HOUSING EXIT.
- LEADS TO FIT INTO HOLES SPACED AS PER PATTERN.
- PIN NUMBERS FOR REFERENCE ONLY, DESIGNATION NON-EXISTENT ON PART.
- DIALIGHT PART NUMBERS: 551-XX07-010F.
- THIS ASSEMBLY CONTAINS ELECTROSTATIC DISCHARGE SENSITIVE DEVICES (ESDS). MAINTAIN ALL PRECAUTIONARY MEASURES DURING ASSEMBLY, HANDLING, AND STORAGE IN ACCORDANCE WITH IPC-A-610.



ATTENTION:
OBSERVE PRECAUTIONS FOR HANDLING ELECTROSTATIC SENSITIVE DEVICES



RECOMMENDED P.C.B. HOLE PATTERN

RoHS COMPLIANT 551-XX07-010F
Part Numbers with the "F" suffix ending are RoHS Compliant. For example: 551-0207-010F
Packaging is marked with "RoHS Compliant" label or equivalent markings. Parts can be wave soldered, dip soldered or hand soldered using typical lead-free soldering process with max 260°C temp. for 5 sec.

THIS DRAWING AND THE CONTENTS HEREIN ARE CONFIDENTIAL AND THE SOLE PROPERTY OF DIALIGHT. REPRODUCTION OF THIS DRAWING OR CONSTRUCTION OF ANY PARTS WITHIN THIS DRAWING ARE FORBIDDEN WITHOUT THE WRITTEN CONSENT OF DIALIGHT.		
SCALE: 5.000 ALL DIM'S IN: INCHES (MM)	DRAWING NUMBER C-17686	REV B
TOLERANCES: UNLESS OTHERWISE SPECIFIED FRACTIONS: ±1/64 DECIMALS (.XX): ±.02 DECIMALS (.XXX): ±.010	TITLE Ø3mm CBI, .200 HIGH CENTERLINE REVERSE POLARITY; RoHS COMPLIANT	
ANGLES: ±3°	MATERIAL	
FINISH:	Dialight 1501 ROUTE 34 SOUTH FARMINGDALE, NJ 07727	
FSCM 83330	SHEET 1 OF 1	FAMILY TABLE: