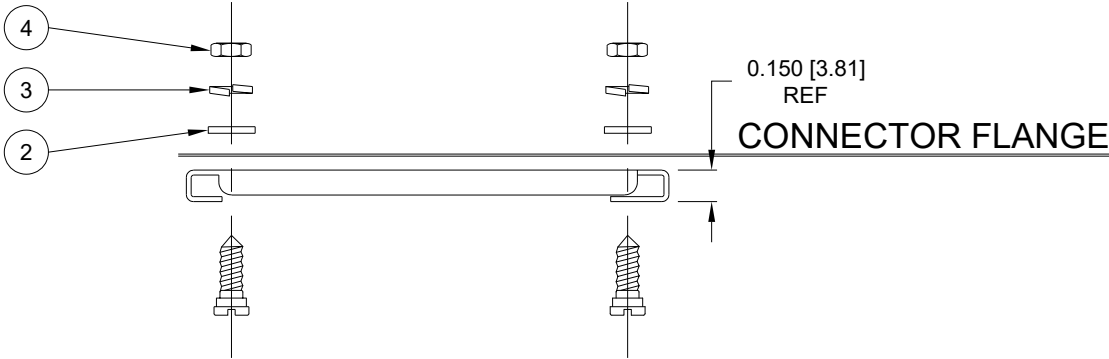
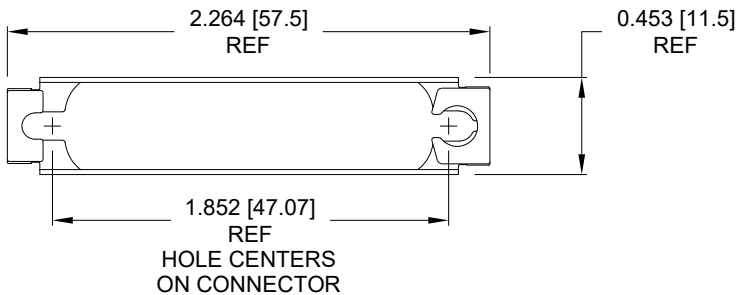


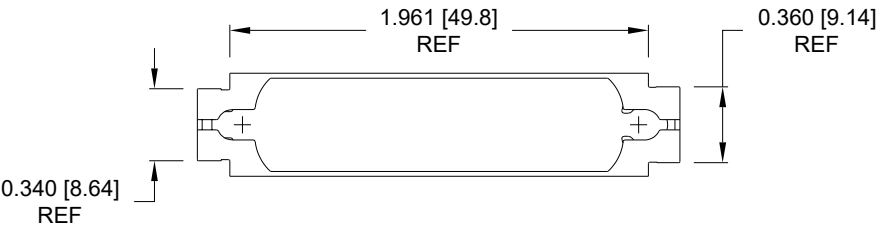
MATERIALS AND FINISH:

SLIDE LOCK BAR: STAINLESS STEEL
 MOUNTING SCREW: STEEL, NICKEL PLATED
 FLAT WASHER: STEEL, NICKEL PLATED
 LOCK WASHER: STEEL, NICKEL PLATED
 #4-40 NUT: STEEL, NICKEL PLATED

KIT INCLUDES:
 (1X) SLIDE LOCK BAR
 (2X) #4-40 MOUNTING SCREW
 (2X) FLAT WASHERS
 (2X) LOCK WASHERS
 (2X) #4-40 NUTS



DIMENSIONS(inch)	
ITEM NO.	THICKNESS
2	0.020 REF
3	0.031 REF
4	0.074 REF



For back shell assembly applications:
ONLY use the mounting screws when mounting slide lock bar
DO NOT use the flat washers, lock washers, and #4-40 nuts

RoHS COMPLIANT

UNITS = inch [mm]

DO NOT SCALE FROM DRAWING



THESE DRAWINGS AND SPECIFICATIONS ARE THE PROPERTY OF NorComp AND SHALL NOT BE REPRODUCED, COPIED OR USED AS THE BASIS FOR THE MANUFACTURE OR SALE OF APPARATUS WITHOUT WRITTEN PERMISSION.

DRAWN:
 W. ROBBINS
 DATE:
 12/5/2005

NorComp

SCALE: NTS	SHEET 1	OF 1	REV 8
DWG NO. 160-025-004R031			

Mouser Electronics

Authorized Distributor

Click to View Pricing, Inventory, Delivery & Lifecycle Information:

[NorComp:](#)

[160-025-004R031](#)