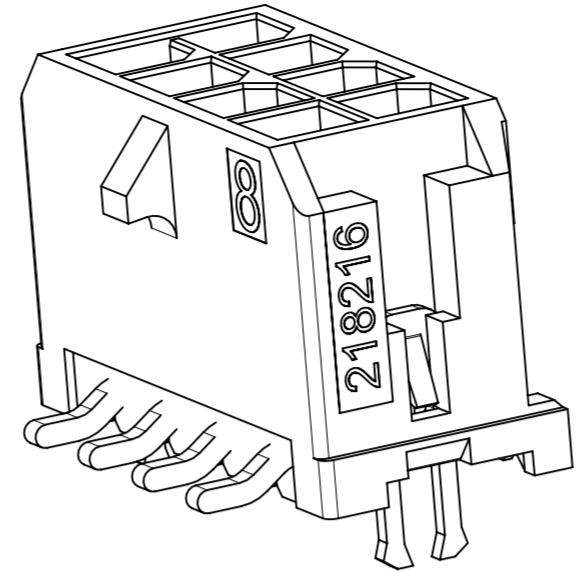


FINISH TYPE	"0" TIN	"1" 15MICROINCH GOLD	"2" 30MICROINCH GOLD	A	B	C	D
2	2182160230	2182160231	2182160232	7.16	NA	2.95	4.30
4	2182160430	2182160431	2182160432	10.16	3.00	2.95	7.30
6	2182160630	2182160631	2182160632	13.16	6.00	2.95	10.30
8	2182160830	2182160831	2182160832	16.16	9.00	7.70	13.30



LEGEND

218216 - * * * *

SERIES NO. _____

CKT NO. _____

OPTION

0: RIGHT ANGLE WITH NAIL

1: RIGHT ANGLE WITH CLIP

2: VERTICAL WITH NAIL

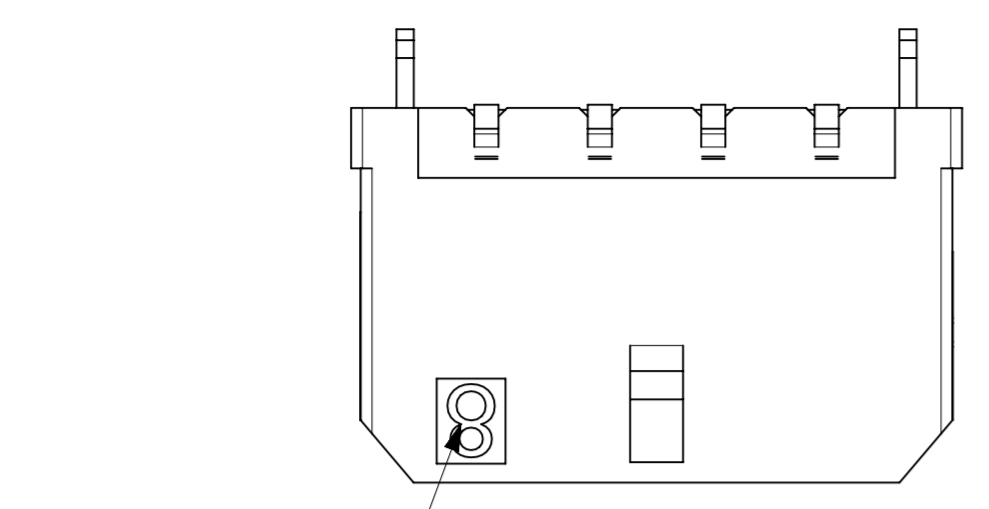
3: VERTICAL WITH CLIP

PLATING OPTION

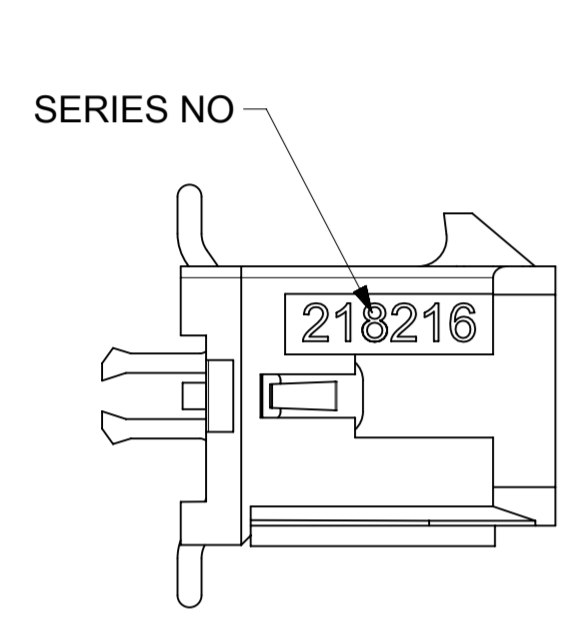
0: TIN

1: 15MICROINCH AU

2: 30MICROINCH AU

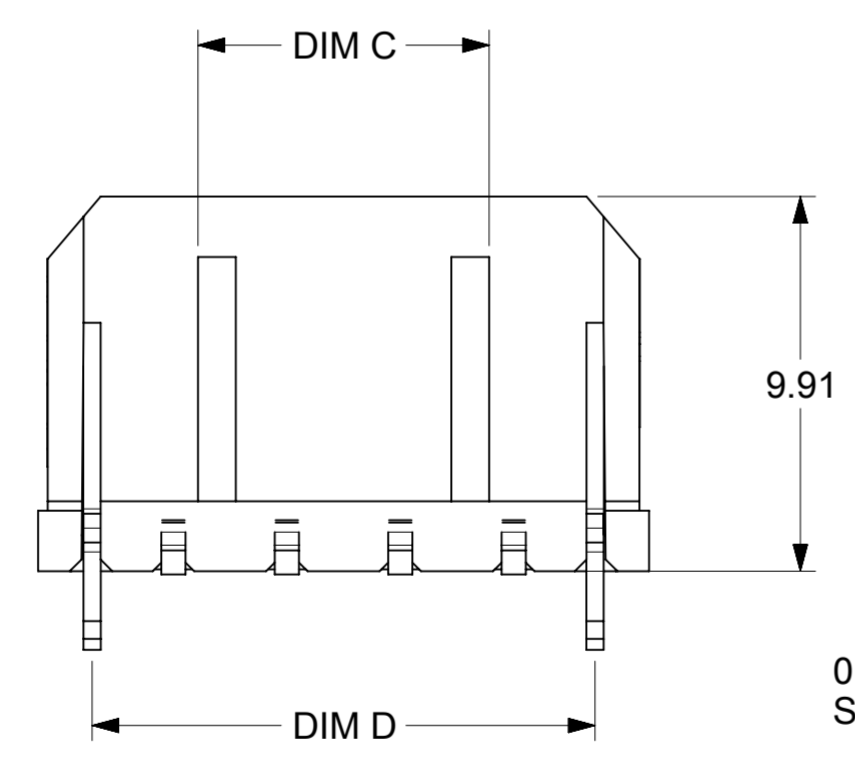
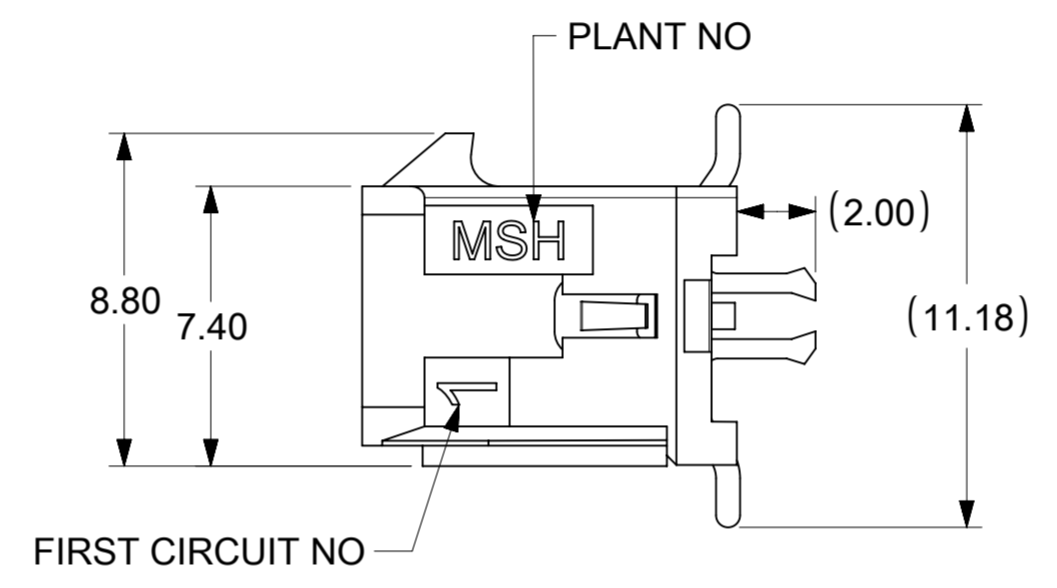
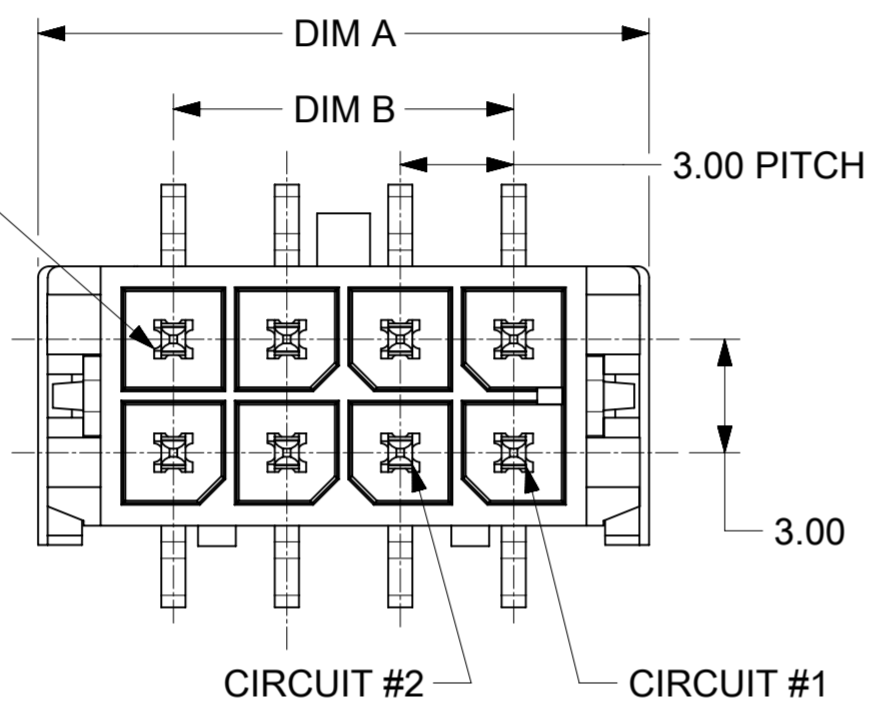


LAST CIRCUIT NO

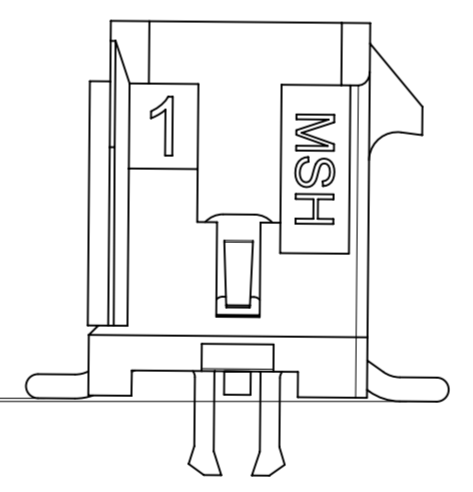


SERIES NO

LAST CIRCUIT

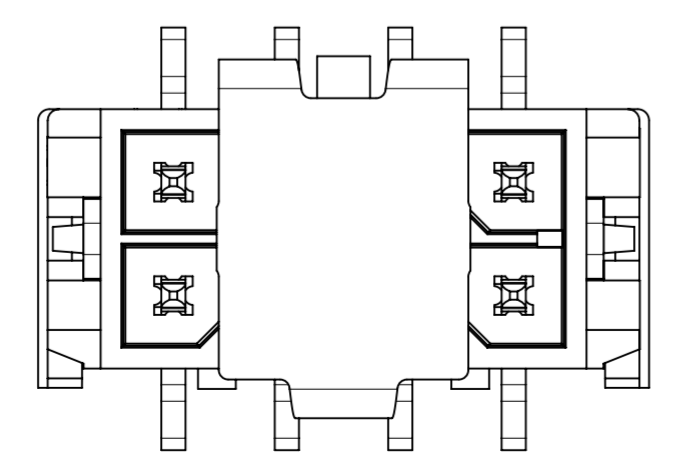


0.15 MAX
SEE NOTE 7



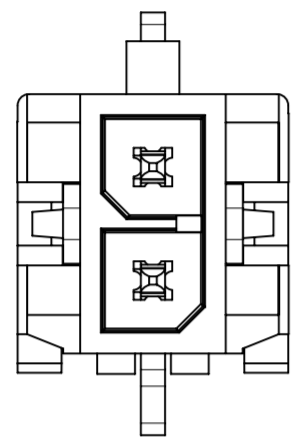
NOTES:

- HOSING MATERIAL: GLASS FILLED LIQUID CRYSTAL POLYMER, UL 94V-0, COLOR: BLACK
TERMINAL MATERIAL: HIGH COPPER ALLOY
- FINISH:
OPTION "0": REFLOW MATTE TIN OVER NICKEL
OPTION "1": SELECT 15MICROINCH GOLD AND SELECT MATTE TIN OVER NICKEL.
OPTION "2": SELECT 30MICROINCH GOLD AND SELECT MATTE TIN OVER NICKEL.
- PRODUCT SPECIFICATION : 2064600000-PS
- PRODUCT TEST SUMMARY: 2064600000-TS
- T&R PACK : 2182160001-PK
- MATE WITH RECEPTACLE 206461
- THE COPLANARITY DIMENSION IS ESTABLISHED BY PLACING THE ASSEMBLY ON A FLAT SURFACE. THE DISTANCE FROM THAT SURFACE TO THE BOTTOM OF ANY TERMINAL OR NAIL MUST NOT EXCEED 0.15
- THIS PART CONFORMS TO CLASS 'B' REQUIREMENTS OF COSMETIC SPECIFICATION PS-45499-002.

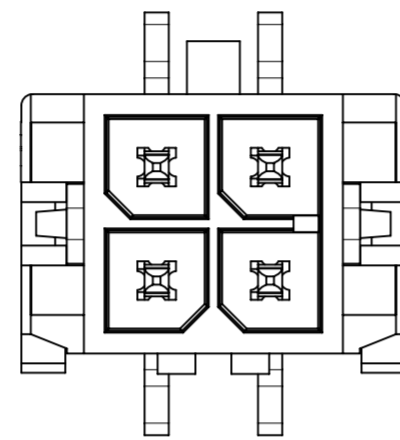


SHOWN WITH DISPOSABLE CAP (43555-000*)
SEE NOTE 5

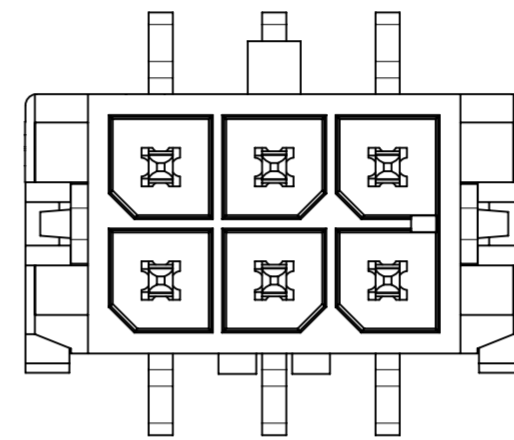
THIS DRAWING CONTAINS INFORMATION THAT IS PROPRIETARY TO MOLEX ELECTRONIC TECHNOLOGIES, LLC AND SHOULD NOT BE USED WITHOUT WRITTEN PERMISSION									
DIMENSION UNITS	SCALE	CURRENT REV DESC:			molex				
mm	NTS								
GENERAL TOLERANCES (UNLESS SPECIFIED)					MICRO-FIT PLUS DUAL ROW VERTICAL SMT HEADER WITH PRESS CLIP				
ANGULAR TOL	±	3.0°							
4 PLACES	±	EC NO: 724761			PRODUCT CUSTOMER DRAWING				
3 PLACES	±	DRWN: ZIXUAQ 2022/09/07							
2 PLACES	±	CHK'D: XQZHANG 2022/10/17			DOCUMENT NUMBER				
1 PLACE	±	APPR: XQZHANG 2022/10/17							
0 PLACES	±	INITIAL REVISION:			2182160030-SD				
DRAFT WHERE APPLICABLE MUST REMAIN WITHIN DIMENSIONS									
THIRD ANGLE PROJECTION		DRAWING	SERIES	MATERIAL NUMBER	CUSTOMER	DOC TYPE	DOC PART	REVISION	SHEET NUMBER
A2-SIZE		218216	SEE TABLE	GENERAL MARKET	PSD	000	A	1 OF 2	



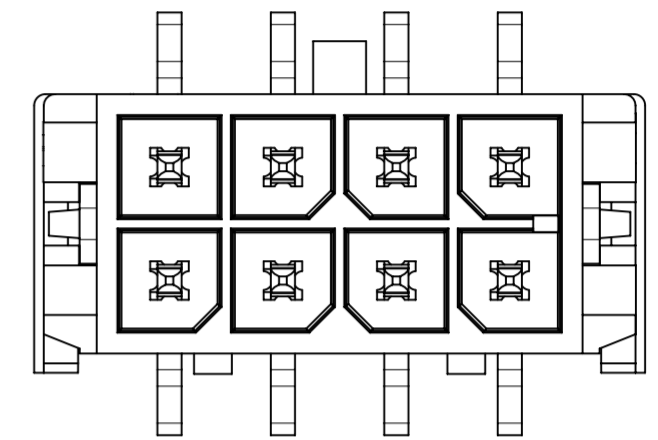
2CKT



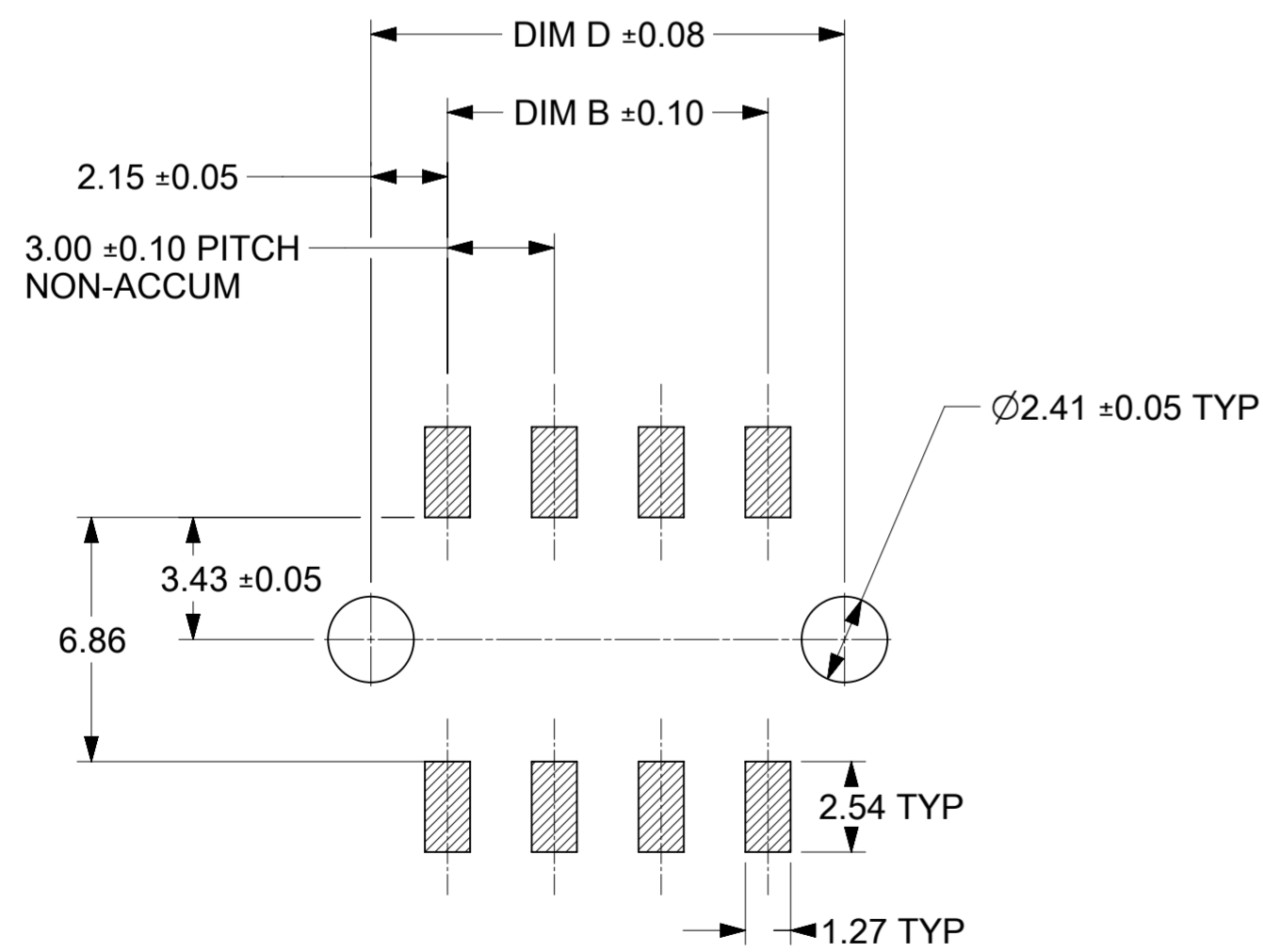
4CKT



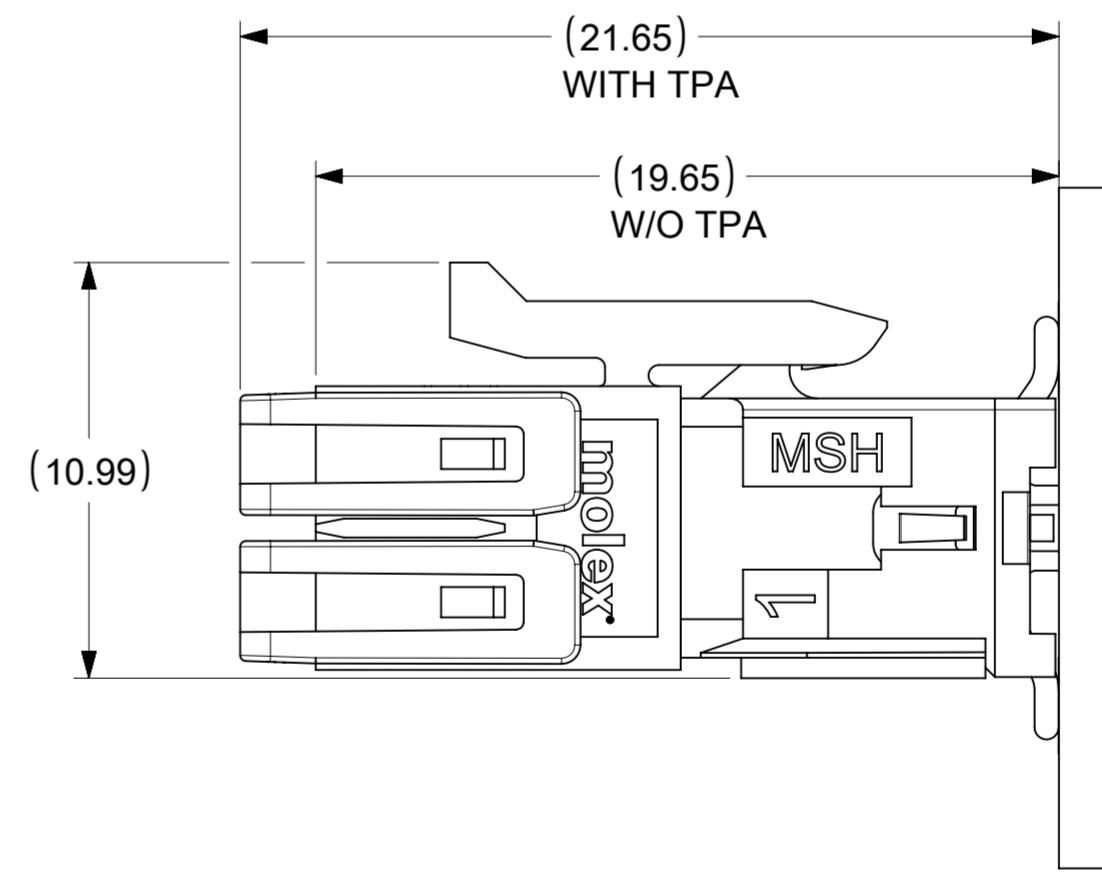
6CKT



8CKT



PCB LAYOUT: COMPONENT SIDE
 RECOMMENDED THICKNESS : 1.60 ± 0.05 MM



THIS DRAWING CONTAINS INFORMATION THAT IS PROPRIETARY TO MOLEX ELECTRONIC TECHNOLOGIES, LLC AND SHOULD NOT BE USED WITHOUT WRITTEN PERMISSION									
DIMENSION UNITS	SCALE	CURRENT REV DESC:							
mm	NTS								
GENERAL TOLERANCES (UNLESS SPECIFIED)		EC NO: 724761			MICRO-FIT PLUS DUAL ROW VERTICAL SMT HEADER WITH PRESS CLIP				
ANGULAR TOL	$\pm 3.0^\circ$	DRWN: ZIXUAQ 2022/09/07							
4 PLACES	\pm	CHK'D: XQZHANG 2022/10/17			PRODUCT CUSTOMER DRAWING				
3 PLACES	\pm	APPR: XQZHANG 2022/10/17							
2 PLACES	± 0.25	INITIAL REVISION:			DOCUMENT NUMBER: 2182160030-SD DOC TYPE: PSD DOC PART: 000 REVISION: A				
1 PLACE	± 0.36	DRWN: ZIXUAQ 2022/09/07							
0 PLACES	\pm	APPR: XQZHANG 2022/10/17			MATERIAL NUMBER: SEE TABLE CUSTOMER: GENERAL MARKET SHEET NUMBER: 2 OF 2				
DRAFT WHERE APPLICABLE MUST REMAIN WITHIN DIMENSIONS		THIRD ANGLE PROJECTION	DRAWING	SERIES					
			A2-SIZE	218216					