



**Mallory Sonalert Products, Inc.**

Part #:

**FL1P-16NJ-1  
16mm Panel Light**

**Sales Outline Drawing**

Revision:

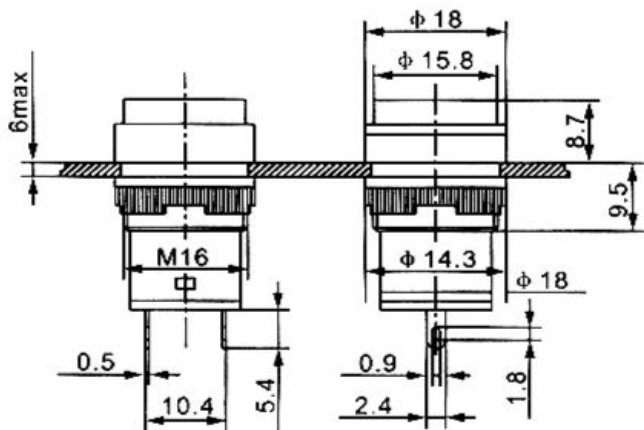
**B**

**Specifications:**

Panel Hole	16 mm
Voltage Type	AC/DC
LED Color Available	Red, Green, Blue, Yellow, or White
Lens Color	Same as LED
Rated Voltage Available	See table below
Max Current Draw	20 mA
Storage & Operating Temperature	-15 °C to +80 °C
Ingress Protection Rating	IP50
LED Life	70,000 hours
Weight (Typical)	3.2 g
Housing Material	PA66
Termination Type	Solder Lug
Terminal Dimensions	2.5mm x 0.5mm x 5mm
Max Recommended Torque	18 ft-lbs (25 Nm)
Panel Thickness	up to 0.16" (4mm)
Hardware Kit	SLLM16

**RoHS Compliant**

**Dimensions (mm):**



**Part Number:**

**FL1P-16NJ-1-X#V**

- B=Blue
- G=Green
- R=Red
- Y=Yellow
- W=White

Rated Voltage

Length for reference only.

	Light Intensity	Dominant Wavelength	Viewing Angle
Red	1000 -1500 mcd	622 nm	35°
Green	8000 -10000 mcd	522 nm	60°
Yellow	1000 -1500 mcd	590 nm	35°
Blue	2000 - 3000 mcd	464 nm	35°

Rated Voltage	2 VAC/DC	3 VAC/DC	6 VAC/DC	12 VAC/DC	24 VAC/DC	48 VAC/DC	110 VAC/DC	220 VAC/DC	380 VAC/DC
Red	1.8-2.2V	2.7-3.3V	5.4-6.6V	10.8-13.2V	21.6-26.4V	43.2-52.8V	99-121V	198-242V	342-418V
Green	N/A	3-3.2V	5.4-6.6V	10.8-13.2V	21.6-26.4V	43.2-52.8V	99-121V	198-242V	342-418V
Blue	N/A	3.12-3.2V	5.4-6.6V	10.8-13.2V	21.6-26.4V	43.2-52.8V	99-121V	198-242V	342-418V
Yellow	2-2.2V	2.7-3.3V	5.4-6.6V	10.8-13.2V	21.6-26.4V	43.2-52.8V	99-121V	198-242V	342-418V
White	N/A	3-3.2V	5.4-6.6V	10.8-13.2V	21.6-26.4V	43.2-52.8V	99-121V	198-242V	342-418V

# Mouser Electronics

Authorized Distributor

Click to View Pricing, Inventory, Delivery & Lifecycle Information:

## Mallory Sonalert:

[FL1P-16NJ-1-R110V](#) [FL1P-16NJ-1-Y24V](#) [FL1P-16NJ-1-R12V](#) [FL1P-16NJ-1-Y110V](#) [FL1P-16NJ-1-Y12V](#) [FL1P-16NJ-1-R24V](#) [FL1P-16NJ-1-G110V](#) [FL1P-16NJ-1-G24V](#) [FL1P-16NJ-1-G12V](#)