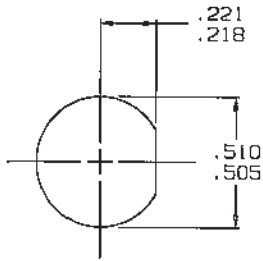


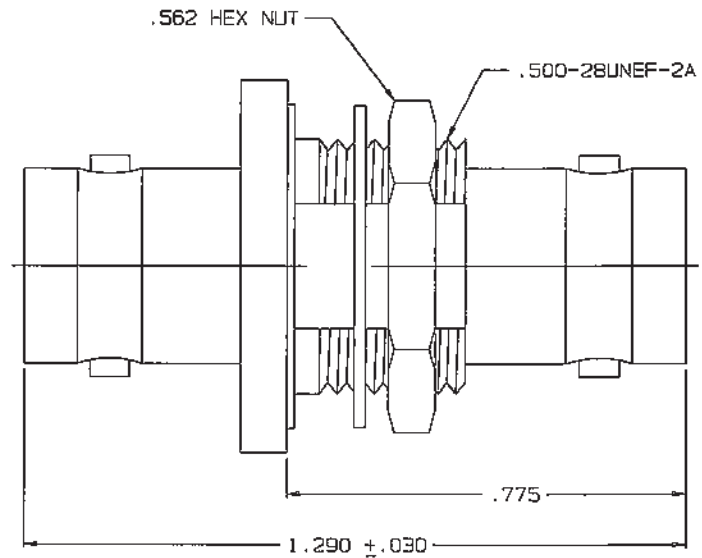
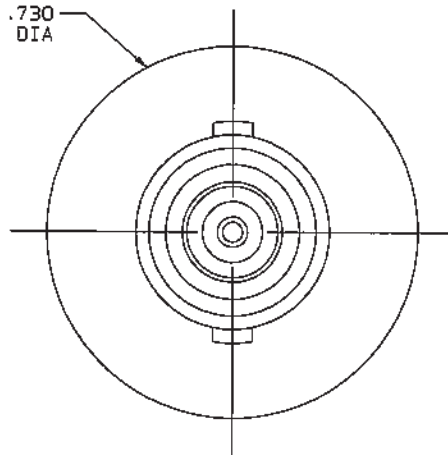
DATA CONTAINED IN THIS DOCUMENT IS PROPRIETARY TO TROMPETER ELECTRONICS INC. AND SHALL NOT BE DISCLOSED, COPIED OR USED FOR PROCUREMENT OR MANUFACTURE WITHOUT EXPRESS WRITTEN PERMISSION.

REVISIONS			305-0506	SH 2	
REV	EO	DESCRIPTION	OWN	APPROVED	DATE
E	13380	UPDATED DRAWING & DELETED NOTE SHEET 2 SEE ECD [1]	R L	<i>RAM.</i>	4/20/00



RECOMMENDED
PANEL CUTOUT
SCALE: 2/1

RED INDICATES ORIGINAL



INCH	MM
.005	0.13
.030	0.76
.187	4.75
.218	5.54
.221	5.61
.505	12.83
.510	12.95
.562	14.27
.730	18.54
.775	19.69
1.290	32.77

4. CONCENTRIC TWINAX/TRIAX 2-LUG TRB BULKHEAD MOUNT FEEDTHRU RECEPTACLE
3. MAX PANEL THK .187
2. FINISH: TFS-1A (NICKEL)
1. ALL DIMS ARE INCHES

QTY	DESCRIPTION		PART NUMBER	ITEM		
TOL UNLESS SPECIFIED			BJ78TL			
.XX ±						
.XXX ±						
.XXXX ±						
ANGLES ±						
DWN	R L	4/4/00	MATERIAL	CODE IDENT	DRAWING NO.	REV
CHK	<i>RAM</i>	4/19/00	—	14949	305-0506	E
ENGR	—	—				
NEXT ASSY	APPR	<i>RAM.</i>	4/19/00	SCALE 4/1	DATE 9-20-83	SHEET 1C

Mouser Electronics

Authorized Distributor

Click to View Pricing, Inventory, Delivery & Lifecycle Information:

[Cinch Connectivity Solutions:](#)

[BJ78TL](#)