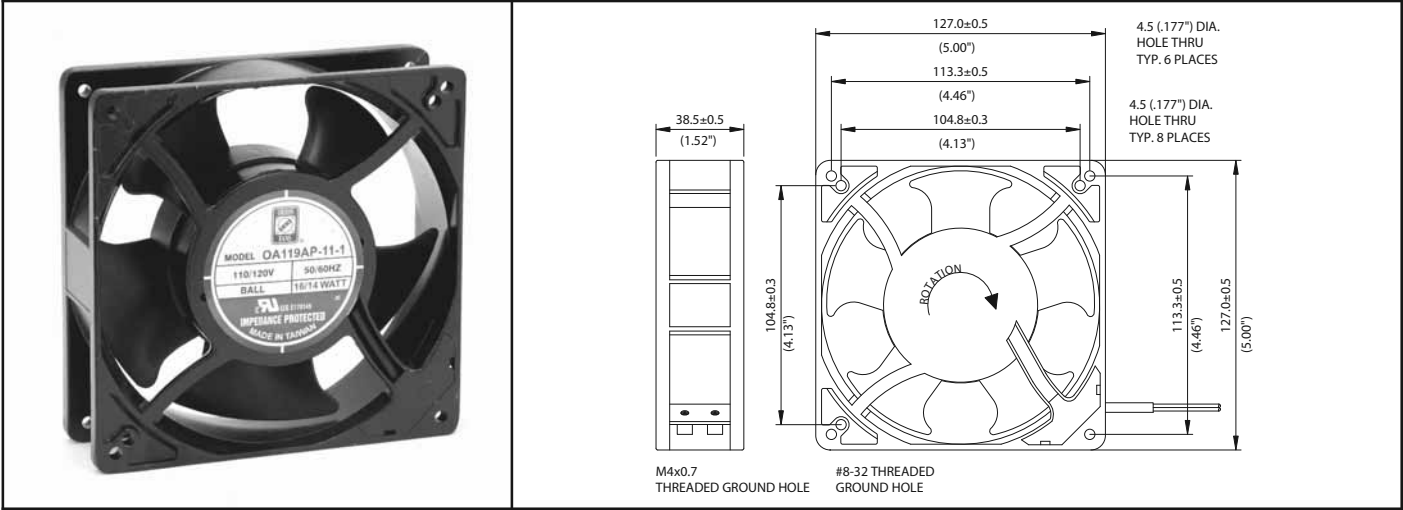


# OA119 Series



AC Fan - 115V, 230V  
127 x 38mm (5.0" x 1.5")



Frame	Diecast Aluminum	<b>Operating Temperature</b> Ball Bearing -20C ~ +80C Sleeve Bearing -10C ~ +50C Storage Temp -40C ~ +80C  <b>Life Expectancy</b> Ball Bearing 60,000 hours (L10 at 40C) Sleeve Bearing 30,000 hours (L10 at 40C)  Weight: ~ 1.3 lbs.  m0	
Impeller	PBT, UL94V-0 plastic		
Connection	2x Lead Wires 22 AWG or terminals		
Motor	Shaded pole, impedance protected Tachometer available (5VTTL), input 5 ~24V		
Bearing System	Dual ball or Sleeve		
Insulation Resistance	>100M ohm between lead-wire and frame (500VDC)		
Dielectric Strength	1 min at 1500 VAC, 50/60Hz		

Model Number	Speed (RPM)	Airflow (CFM)	Noise (dB)	Volts AC	Voltage Range	Watts	Max. Static Pressure (\"H2O)
OA119AP-11-1 *	2750	130	46	115	80~130	14	.24
OA119AP-11-2 *	2300	95	37	115	80~130	10	.15
OA119AP-11-3 *	1400	74	28	115	80~130	7	.10
OA119AP-22-1 *	2750	130	46	230	160~260	14	.24
OA119AP-22-2 *	2300	95	37	230	160~260	10	.15
OA119AP-22-3 *	1400	74	28	230	160~260	7	.10

\* Indicate "TB" (Terminal Ball Bearing), "WB" (12" Wire Leads, Ball Bearing), "TS" (Terminal, Sleeve Bearing), "WS" (12" Wire Leads, Sleeve Bearing)

# Mouser Electronics

Authorized Distributor

Click to View Pricing, Inventory, Delivery & Lifecycle Information:

## Orion Fans:

[OA119AP-11-2TB](#) [OA119AP-11-2WS](#) [OA119AP-11-2TS](#) [OA119AP-11-2WB](#) [OA119AP-22-1TB](#) [OA119AP-22-3TS](#)  
[OA119AP-22-3TB](#) [OA119AP-11-3WS](#) [OA119AP-11-3WB](#) [OA119AP-22-1WB](#) [OA119AP-22-2WB](#) [OA119AP-22-2TB](#)  
[OA119AP-22-2TS](#) [OA119AP-11-3TB](#) [OA119AP-22-3WB](#) [OA119AP-11-1WS](#) [OA119AP-11-1WB](#) [OA119AP-11-1TB](#)  
[OA119AP-11-1TB01A18](#) [OA119AP-11-1WB01A18](#) [OA119AP-11-1TS](#) [OA119AP-22-1TS](#) [OA119AP-22-1WS](#)  
[OA119AP-22-3WS](#) [OA119AP-22-2WS](#)