

3.5 inch Touch Screen IPS TFT LCD Designed for Raspberry Pi



Features

- 320×480 resolution
- Resistive touch control
- Supports any revision of Raspberry Pi (directly-pluggable)
- Drivers provided (works with your own Raspbian/Ubuntu directly)
- IPS technology, high quality and perfect displaying from very wide viewing angle
- Size perfectly fits the Pi
- High quality immersion gold surface plating
- Supports Raspbian system, enables your system to:
 - Take photos by touching (up to 17 camera modes)
 - Support software keyboard (system interaction without keyboard/mouse)

[3.5inch RPi LCD \(A\)](#) and [3.5inch RPi LCD \(B\)](#) are hardware compatible with each other (uses different driver), and can be mutually substituted in most cases. (A) for low cost ver. while (B) for IPS ver. with better displaying.

Key Parameters

LCD Type	IPS
LCD Interface	SPI
Touch Screen Type	Resistive
Touch Screen Controller	XPT2046
Colors	65536
Backlight	LED
Resolution	320*480 (Pixel)
Aspect Ratio	8:5
Power Consumption	TBD
Backlight Current	TBD
Operating Temp. (°C)	TBD

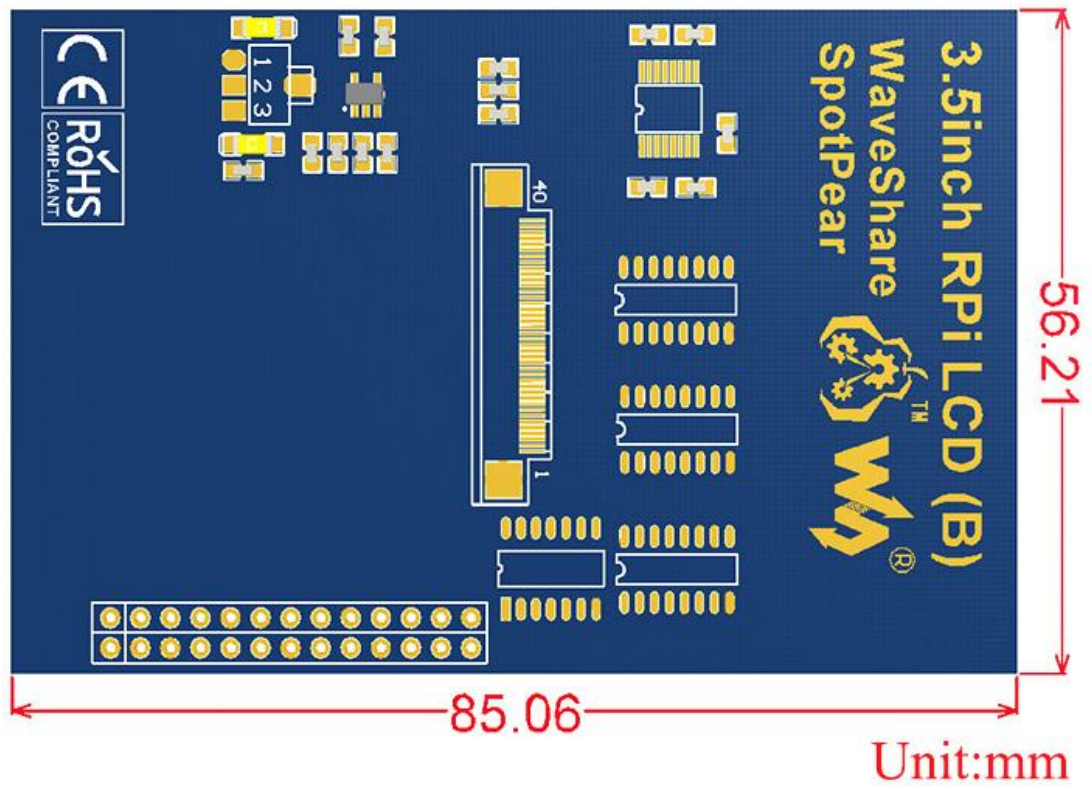
Photos



Interface

PIN NO.	SYMBOL	DESCRIPTION
1, 17	3.3V	Power positive (3.3V power input)
2, 4	5V	Power positive (5V power input)
3, 5, 7, 8, 10, 12, 13, 15, 16	NC	NC
6, 9, 14, 20, 25	GND	Ground
11	TP_IRQ	Touch Panel interrupt, low level while the Touch Panel detects touching
18	LCD_RS	Instruction/Data Register selection
19	LCD_SI / TP_SI	SPI data input of LCD/Touch Panel
21	TP_SO	SPI data output of Touch Panel
22	RST	Reset
23	LCD_SCK / TP_SCK	SPI clock of LCD/Touch Panel
24	LCD_CS	LCD chip selection, low active
26	TP_CS	Touch Panel chip selection, low active

External Dimension



Development Resources

Wiki : [www.waveshare.com/wiki/3.5inch_RPi_LCD_\(B\)](http://www.waveshare.com/wiki/3.5inch_RPi_LCD_(B))