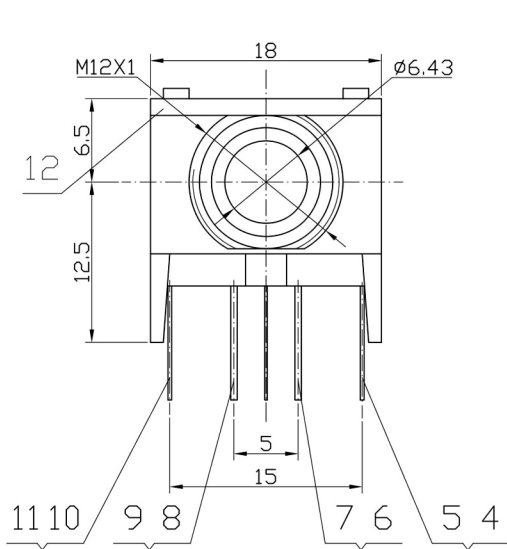
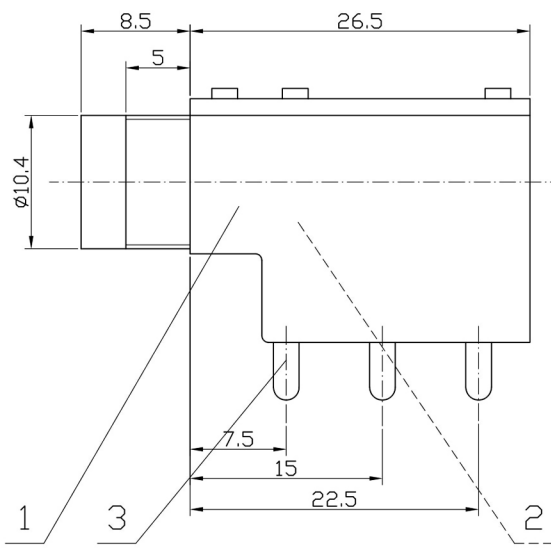


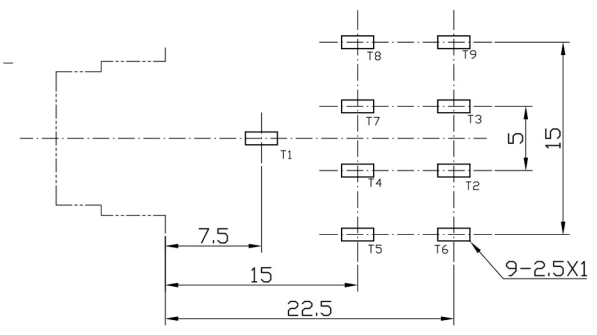
**RoHS  
Compliant  
Drawing For  
Reference Only**



CIRCUIT DIAGRAM



DIMENSIONS OF PC BOARD HOLES(COMMEND)  
BOTTOM VIEW(T=1.6mm) ⊙



NOTE:  
ELECTRICAL PROPERTIES:  
INSULATION RESISTANCE : 100MΩ MIN  
DIELECTRIC WITHSTANDING : AC 500V  
RATING LOAD :DC 50V, 1A  
CONTACT RESISTANCE : 30mΩ MAX  
MECHANICAL PROPERTIES:  
INSERTION FORCE : 35N MAX  
EXTRACTION FORCE : 0.8N~35N  
DURABILITY : 5000 TIMES  
APPLIED ENVIRONMENT:  
TEMPERATURE: -40°C ~ 70°C

Technical requirement :  
1. This product should meet EU RoHS related requirement.  
2. The surface of plastic part should be without any crackle such as burr,lack,and so on phenomenon.  
3. The surface of metal part should be without any defect such as scaur,nick,oxidation and plating problem.  
4. The electronic performance should be the same as spec.

MONDEL NO	ST-004M-01-EN	ST-004M-02-EN	ST-004M-09-EN	ST-004M-15-EN	ST-004M-04-EN
SCHEMATIC					

DIMENSION IN mm	
GENERAL TOLERANCES (UNLESS SPECIFIED)	
.X ±0.38	X.* ±3.0°
.XX ±0.20	.X.* ±2.0°
.XXX ±0.10	.XX.* ±1.5°

ITEM	NAME	Q'TY	MATERIAL	PLATING & COLOR
12	BACK COVER	1	ABS	BLACK
11	T9# NEEDLE	1	PHOSPHOR BRONZE	Ag
10	T8# NEEDLE	1	PHOSPHOR BRONZE	Ag
9	T3# NEEDLE	1	PHOSPHOR BRONZE	Ag
8	T7# NEEDLE	1	PHOSPHOR BRONZE	Ag
7	T2# NEEDLE	1	PHOSPHOR BRONZE	Ag
6	T4# NEEDLE	1	PHOSPHOR BRONZE	Ag
5	T6# NEEDLE	1	PHOSPHOR BRONZE	Ag
4	T5# NEEDLE	1	PHOSPHOR BRONZE	Ag
3	T1# NEEDLE	1	PHOSPHOR BRONZE	Ag
2	INSULATOR	1	ABS	BLACK
1	HOUSING	1	ABS	BLACK

**DCI DRAGON CITY INDUSTRIES LIMITED**

Item Name	6.3MM PHONE JACK	Tolerance :
Item No.	ST-004M-EN	Unit : mm

Design	K.W Law	Remark	Scale
Drawing	W.K Yeung	Remark	Material
Check	K.L Wong	Remark	Drawing No. A404301530
Approval	K.W Chan	Remark	Sheet