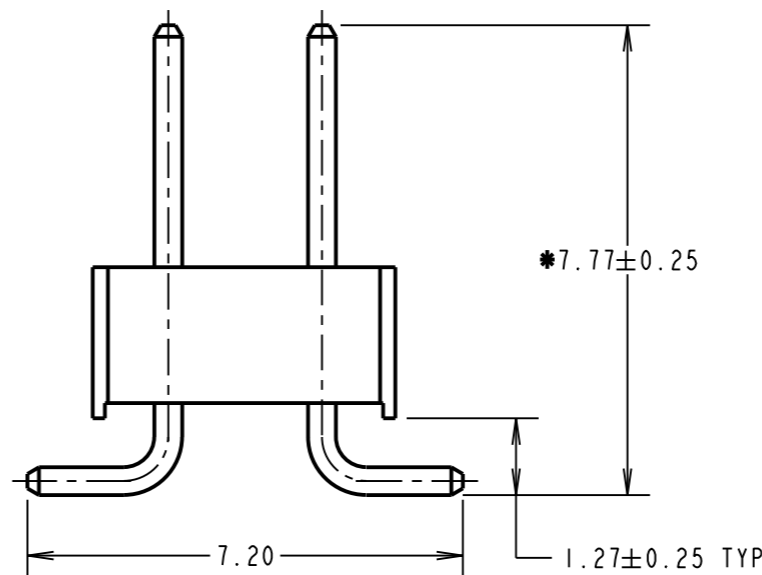
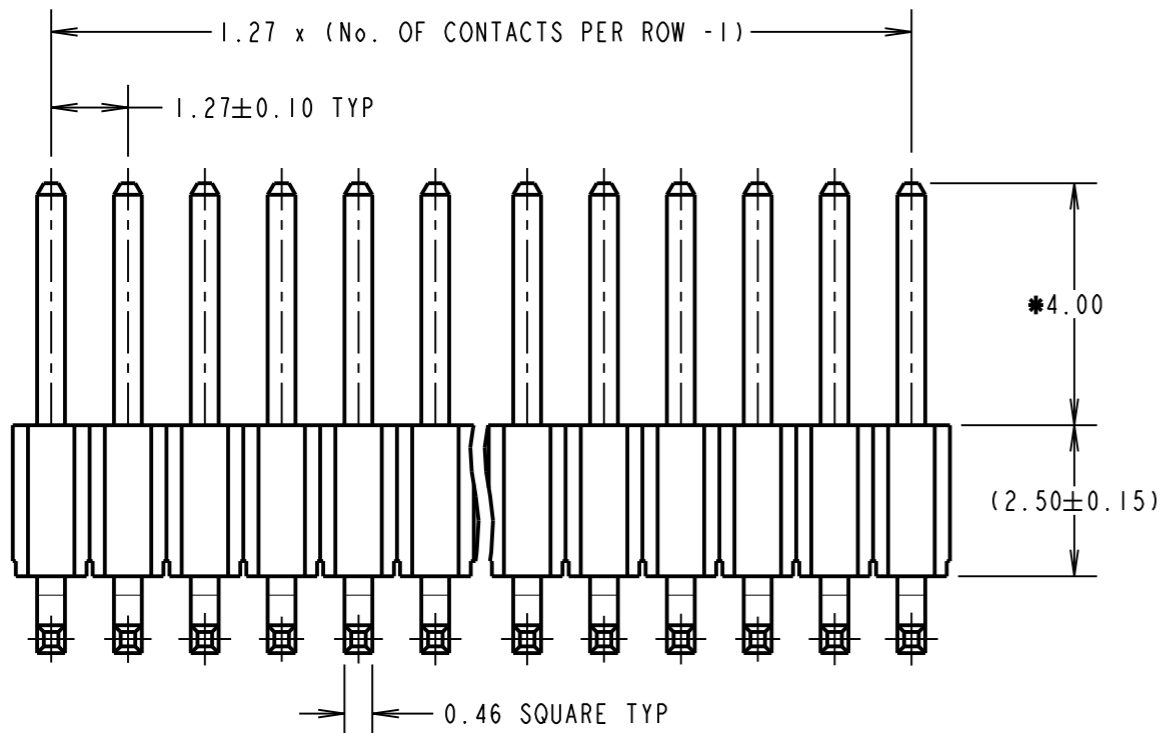


**SPECIFICATIONS:**  
**MATERIAL:**  
 MOULDING = NYLON 6T, UL94V-0, BLACK  
 CONTACT = BRASS  
**FINISH:**  
 CONTACT = GOLD FLASH OVER NICKEL  
**ELECTRICAL:**  
 CURRENT RATING = 1A  
 CONTACT RESISTANCE = 20mΩ MAX  
 INSULATION RESISTANCE = 1000MΩ MIN  
 DIELECTRIC STRENGTH = 1000V ACrms FOR ONE MINUTE  
**MECHANICAL:**  
 DURABILITY = 300 CYCLES MIN  
**ENVIRONMENTAL:**  
 TEMPERATURE RANGE = -40°C TO +105°C  
**PACKING:**  
 BAG  
 FOR COMPLETE SPECIFICATION SEE COMPONENT SPECIFICATION C029XX (LATEST ISSUE)



- NOTES:**
- ALL DIMENSIONS AND NOTES MARKED \* ARE CRITICAL AND MUST BE CHECKED IN ACCORDANCE WITH QUALITY INSTRUCTION Q1-02.
  - MAXIMUM PERMISSIBLE OUT OF SQUARE OF PIN TO MOULDING TO BE 0.15mm IN ANY DIRECTION.
  - CONTACT LEG VARIATION ON COMPLETE ASSEMBLY NOT TO EXCEED 0.20mm.
  - ALL TOLERANCES ARE ±0.20 UNLESS OTHERWISE STATED.
  - \*5. ALL PRODUCT TO HAVE 'LEAD FREE' LABELLING ON ALL PACKAGING.

ORDER CODE:  
**M52-040000SXX45**  
 TOTAL No. OF CONTACTS: \_\_\_\_\_  
 05, 10, 20, 25  
 FINISH: \_\_\_\_\_  
 GOLD FLASH OVER NICKEL

<b>HARWIN</b> HARWIN Europe (UK) www.harwin.com mis@harwin.co.uk	TOLERANCES
	X = ±1mm
	X.X = ±0.25mm
	X.XX = ±0.10mm
	X.XXX = ±0.01mm
	ANGLES = ±5°
	UNLESS STATED



THIS DRAWING AND ANY INFORMATION OR DESCRIPTIVE MATTER SET OUT HEREON ARE CONFIDENTIAL AND COPYRIGHT PROPERTY OF THE HARWIN GROUP AND MUST NOT BE DISCLOSED, LOANED, COPIED OR USED FOR MANUFACTURING, TENDERING OR FOR ANY OTHER PURPOSE WITHOUT THEIR WRITTEN PERMISSION.

MATERIAL: SEE ABOVE	TITLE: 1.27x2.54mm PITCH DIL SURFACE MOUNT PIN HEADER
FINISH: SEE ABOVE	DRAWING NUMBER: <b>M52-040000SXX45</b>
S/AREA: mm <sup>2</sup>	SHT 1 of 1

SB	2	09.01.13	11906
JMB	1	17.11.05	----
NAME	ISS.	DATE	C/NOTE
APPROVED:		S.BENNETT	
CHECKED:		S.FLOWER	
DRAWN:		S.BENNETT	
CUSTOMER REF.:			
ASSEMBLY DRG:			