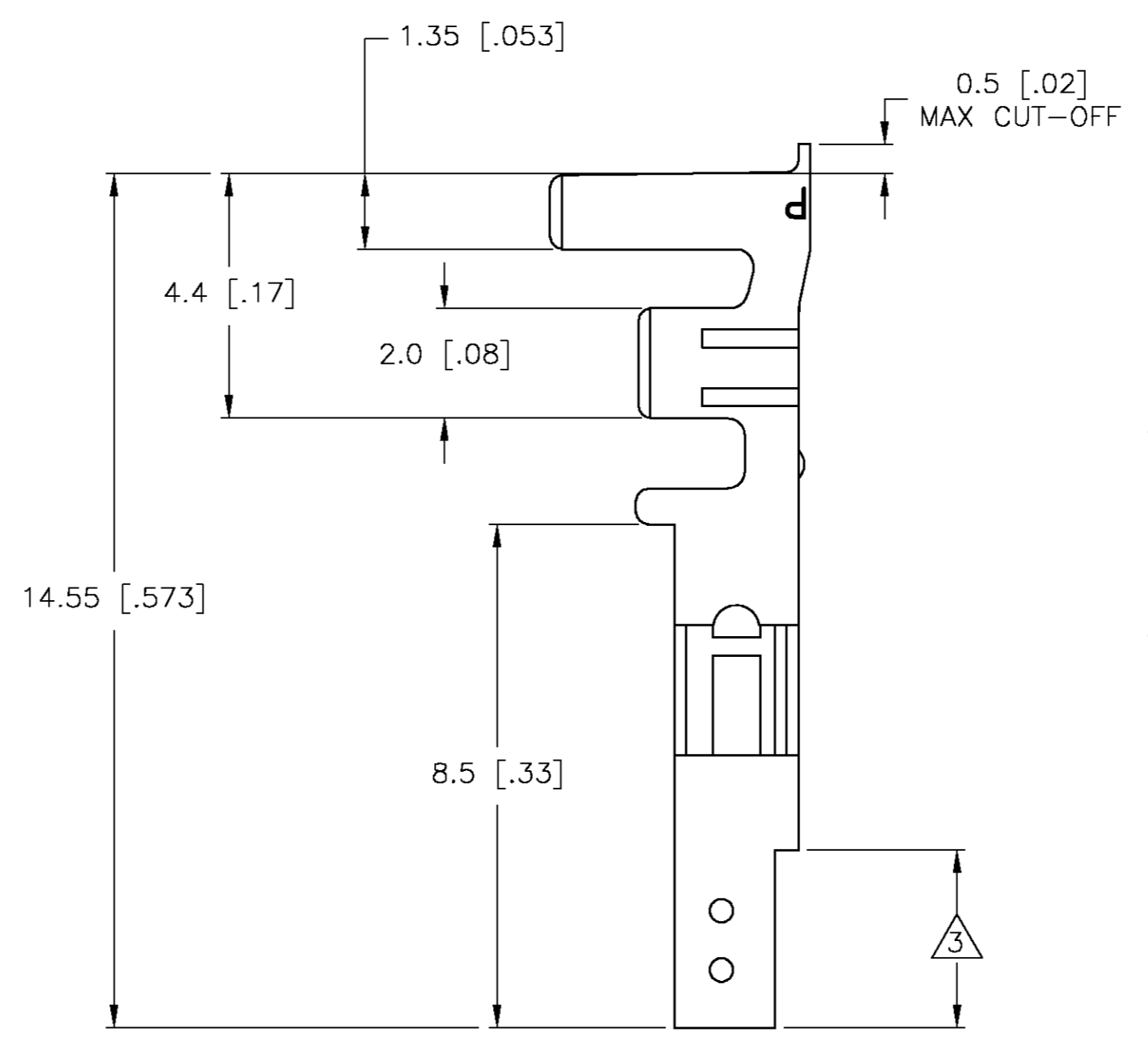
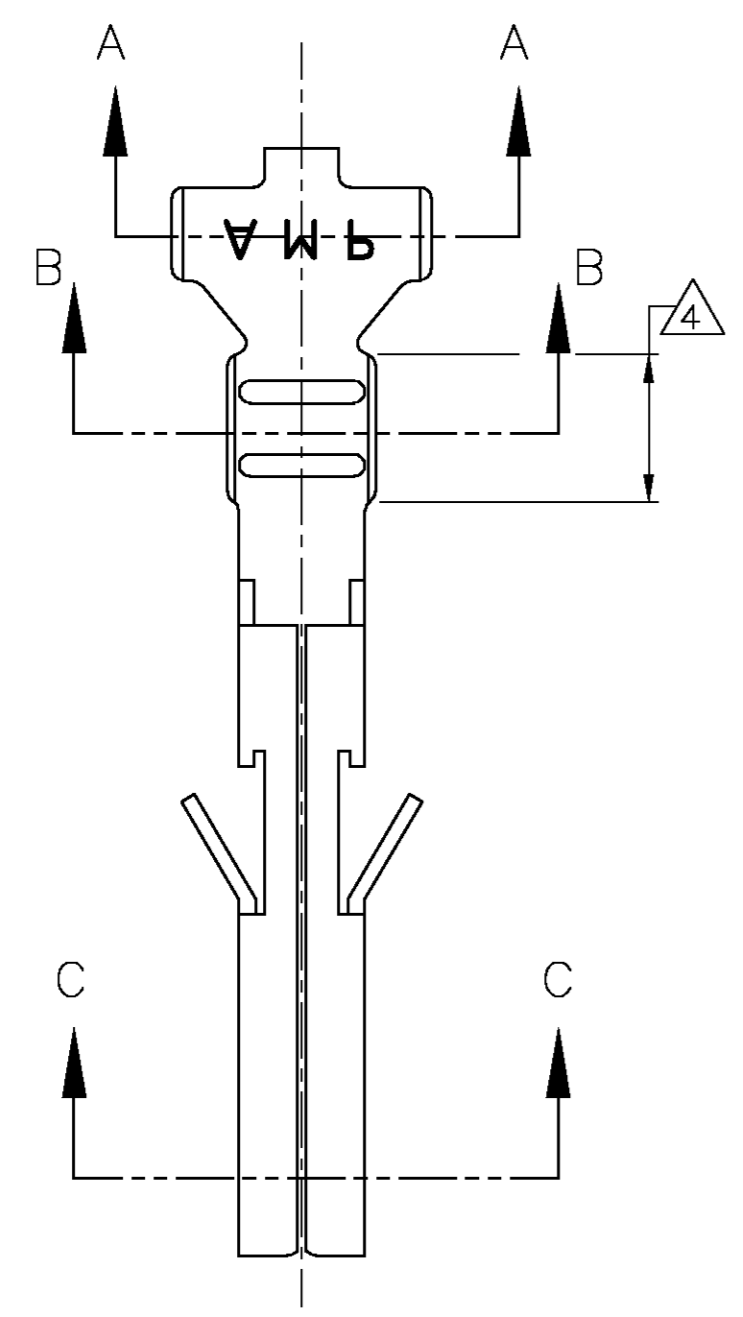
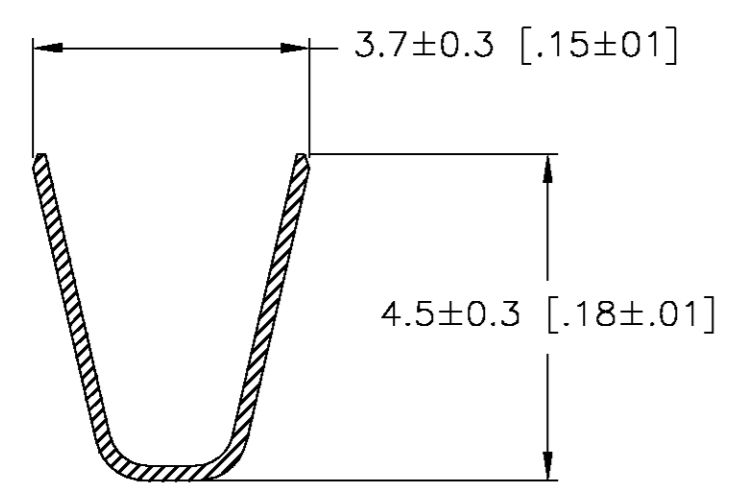


THIS DRAWING IS UNPUBLISHED. RELEASED FOR PUBLICATION
 © COPYRIGHT BY TYCO ELECTRONICS CORPORATION. ALL RIGHTS RESERVED.

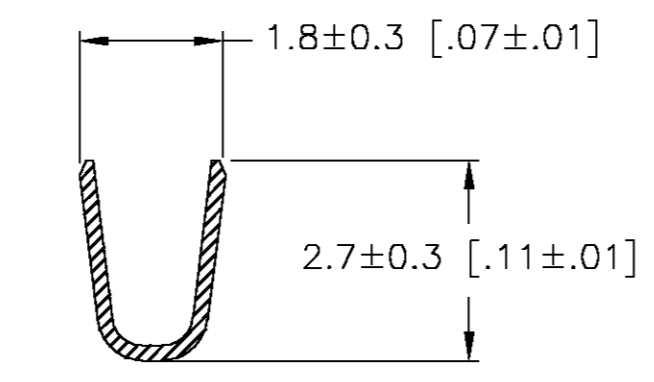
LOC		DIST		REVISIONS			
P	LTR	DESCRIPTION		DATE	DWN	APVD	
	O	REVISED PER 0G3B-0689-03		14-OCT-03	SH	DC	



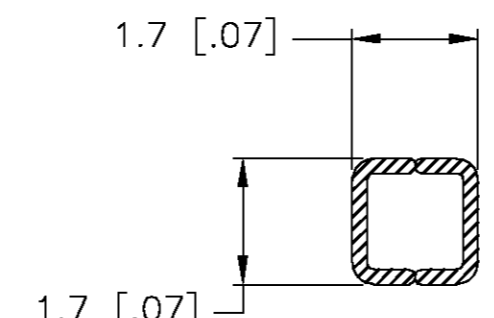
1. WIRE RANGE: 0.32-0.82mm² (22-18 AWG).
 2. INSULATION RANGE: 1.5-2.4 DIA.
- △3 FINISH: 0.76µm MIN GOLD OVER 1.27µm MIN NICKEL REQUIRED ON INNER SURFACE, PERMITTED ON OUTER SURFACE.
- △4 FINISH: 2.54µm MIN TIN ON ALL SURFACES IN THIS AREA.



SECTION A-A



SECTION B-B



SECTION C-C

GOLD △3△4	PHOS. BRZ.	1586315-4
PRE-TIN	PHOS. BRZ.	1586315-3
GOLD △3△4	BRASS	1586315-2
PRE-TIN	BRASS	1586315-1
FINISH:	MATERIAL:	PART NO.

DIMENSIONS:		TOLERANCES UNLESS OTHERWISE SPECIFIED:		DWN		CHK		APVD		NAME	
MM	[INCHES]	0 PLC	±	S. HOOVER	14-OCT-2003	D. COLEY	14-OCT-2003	D. COLEY	14-OCT-2003	Tyco Electronics Corporation Harrisburg, PA 17105-3608	
		1 PLC	± 0.3 [.01]	TERMINAL 4.2 mm [.17] PITCH LOOSE PIECE, SOCKET							
		2 PLC	± 0.15 [.004]	APPLICATION SPEC		SIZE		CAGE CODE		DRAWING NO	
		3 PLC	± 0.050 [.0020]	WEIGHT		A2		00779		1586315	
		4 PLC	±	CUSTOMER DRAWING		SCALE		SHEET		REV	
		ANGLES	±			10:1		1 OF 1		0	
		FINISH									