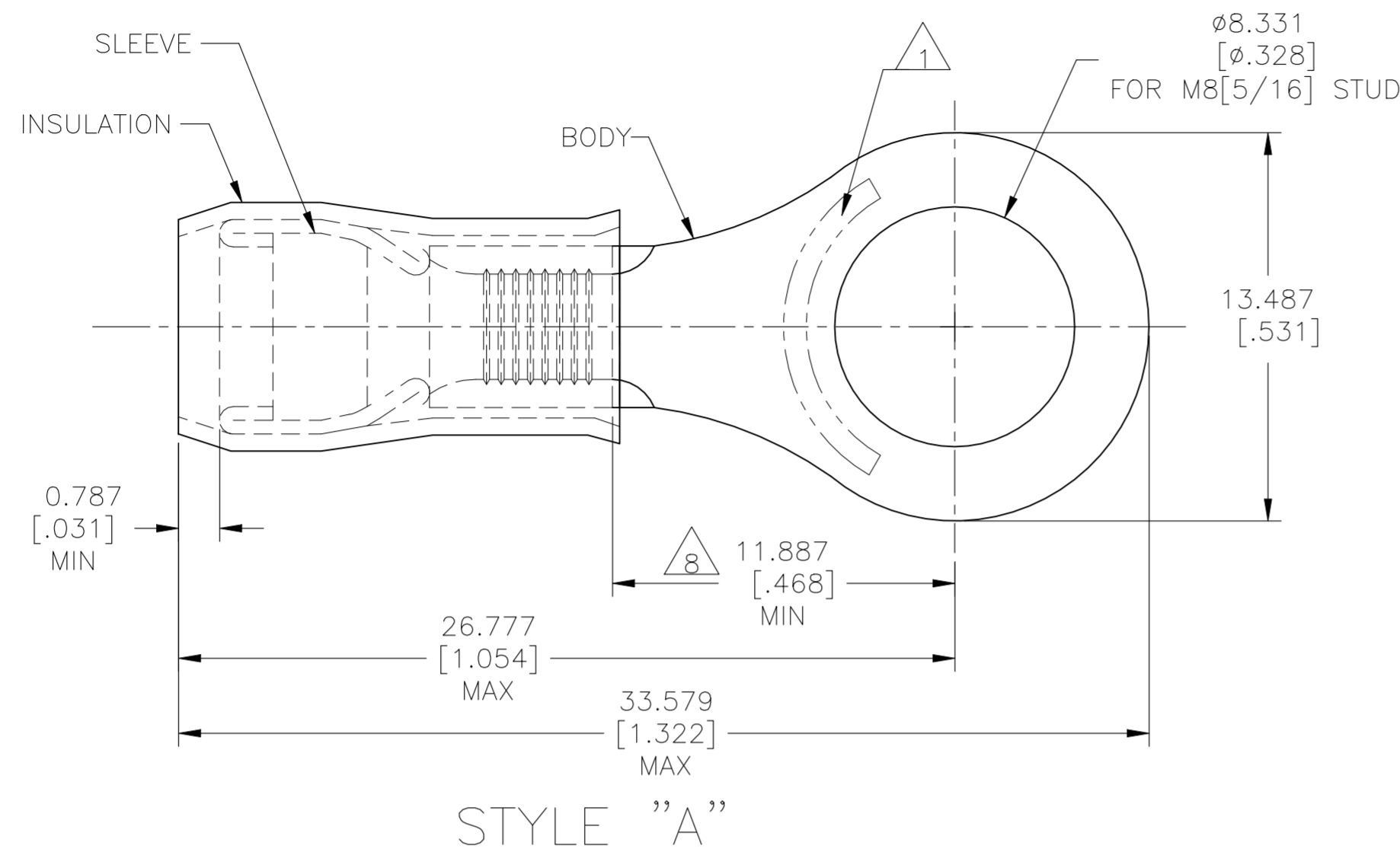
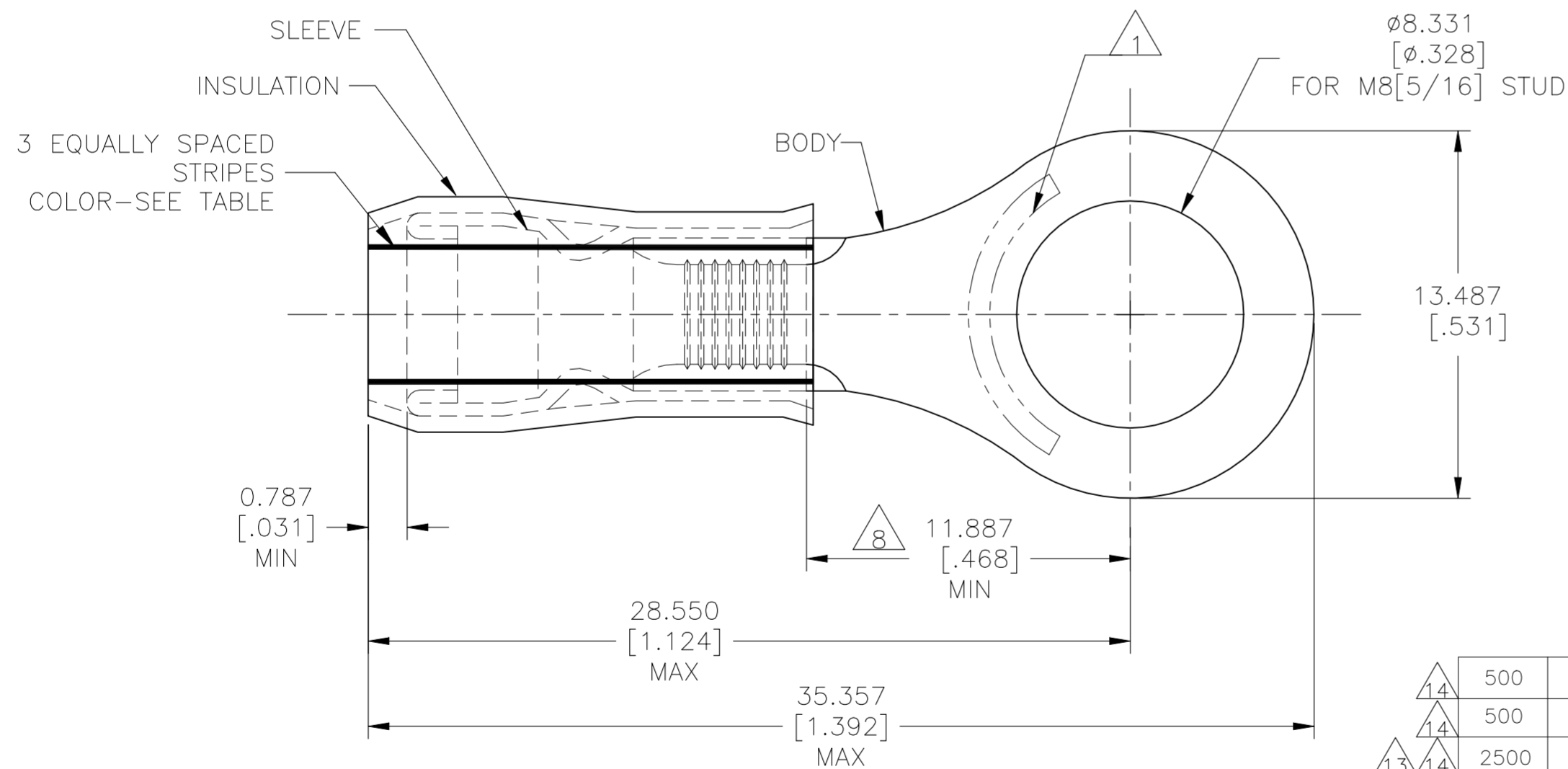


REVISIONS					
P	LTR	DESCRIPTION	DATE	DWN	APVD
U4		REVISED PER ECN-22-156403	06JUN2022	RK	CSD



STYLE "A"



STYLE "B"
INSULATION RESTRICTING

AMP WIRE RANGE	Listed FILE E13288	LR7189 Certified
12-10 AWG SOLID OR STRANDED IR: STRANDED	12-10 AWG STRANDED	12-10 AWG SOLID OR STRANDED IR: STRANDED

- STAMP "AMP - SEE TABLE" APPROX AS SHOWN.
- WIRE INSULATION DIA: SEE TABLE.
- BODY MATERIAL THK: 1.016±0.051[.040±.002]
- FINISH:
BODY: TIN PLATE 0.00254[.000100] MIN EXT THK PER ASTM B545.
INSULATION: COLOR-YELLOW.
- FINISH:
SLEEVE: TIN PLATE 0.00254[.000100] MIN EXT THK PER ASTM B545.
INSULATION: COLOR-YELLOW.
- FINISH:
SLEEVE: NICKEL PLATE PER SAE AMS QQ-N-290.
INSULATION: COLOR-YELLOW.
- MATERIAL:
BODY & SLEEVE- CU PER ASTM B152
INSULATION - NYLON PER ASTM D4066
- APPLIES FROM EDGE OF METAL WIRE BARREL
TO CENTER OF STUD HOLE.
- MEETS MS25036-113, CLASS 1.
- NOTE DELETED
- MEETS M7928/1-60, CLASS 1.
- MEETS M7928/1-67, CLASS 1.
- UL LISTED
- CSA CERTIFIED

QTY	PACKAGE TYPE	STAMPING	WIRE INSUL DIA	WIRE SIZE	STRIPE COLOR	STYLE	BODY FINISH	SLEEVE FINISH	PART NO
500	LOOSE PIECE	10*	ø3.027-5.100[ø.119-.200]	10	BROWN	"B"			2-320576-3
500	LOOSE PIECE	12*	ø2.413-5.100[ø.095-.200]	12	YELLOW	"B"			2-320576-2
2500	ON TAPE & REEL	12-10*	ø3.810-5.842[ø.150-.230]	12-10	--	"A"			2-320576-1
500	LOOSE PIECE	12-10*	ø3.810-5.842[ø.150-.230]	12-10	--	"A"			320576

CUSTOMER SERVICE SYSTEMS		THIS DRAWING IS A CONTROLLED DOCUMENT.		DWN JR RUTH 23DEC09		TE Connectivity	
MAX RECOMMENDED OPERATING TEMPERATURE: 105°C[221°F] MAX		DIMENSIONS: mm [INCHES]		CHK T MICHELUTTI 23DEC09		NAME	
VOLTAGE RATING: 300 VOLT MAX		TOLERANCES UNLESS OTHERWISE SPECIFIED: 0 PLC ± - 1 PLC ± - 2 PLC ± - 3 PLC ± 0.127[.005] 4 PLC ± - ANGLES ± -		APVD T MICHELUTTI 23DEC09		TERMINAL, RING TONGUE, PIDG (12-10 AWG) PIDG IR (12 & 10 AWG)	
CIRCULAR MIL AREA: 2.62-6.64mm²[5.180-13.100] STRANDED OR SOLID		MATERIAL		PRODUCT SPEC UL486 A-B		SIZE CAGE CODE DRAWING NO RESTRICTED TO	
FOR ADDITIONAL PRODUCT INFORMATION OR COPIES OF DRAWINGS AND TECHNICAL DOCUMENTS 1-800-522-6752		MATERIAL		FINISH		A2 00779 C=320576	
FOR APPLICATION TOOLING ASSISTANCE CENTER 1-800-722-1111		MATERIAL		FINISH		SCALE 5:1 SHEET 1 of 1 REV U4	
FOR ORDER ENTRY 1-800-526-5142		MATERIAL		FINISH		CUSTOMER DRAWING	

Mouser Electronics

Authorized Distributor

Click to View Pricing, Inventory, Delivery & Lifecycle Information:

[TE Connectivity:](#)

[2-320576-3](#) [M7928/1-67](#)