

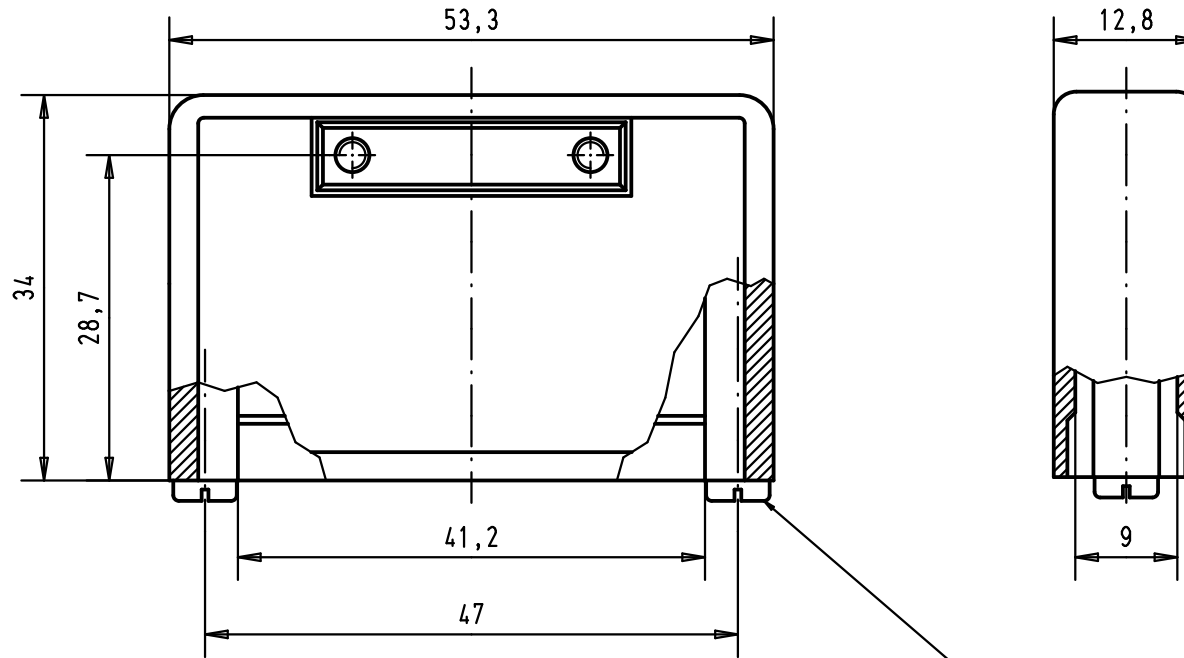
5

4

3

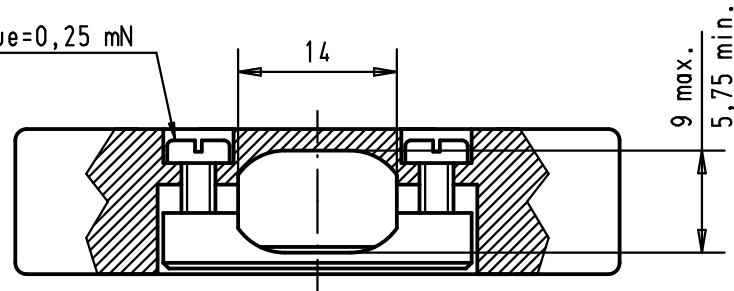
2

1



Slotted pan head tapping screws
DIN 7971-ST 2,2x9,5-F
Maximum screwing torque=0,25 mN

Slotted pan head tapping screws
DIN 7971-ST 2,9x6,5-F
screwing torque=35Ncm +/-5Ncm



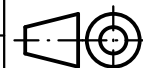
D

C

B

A

	Dat.	Name
Detail.	28-MAR-02	CV
Insp.	25-MAY-11	JMDV
Stand.		



All Dim. in mm
Orig. Size DIN A 4

D-Sub, Hood 25 poles,
for spring or slide
locking, top cable entry

Maßstab/
Scale

1.5:1

09 67 025 0413

Thermoplastic metallized

EC03223

25-MAY-11

SD

09 67 025 0411

Thermoplastic grey RAL 7032

29760

28-MAR-02

CV

HARTING EURL
F-95972 Paris



TB 0967025041x

Blatt/ Page

1

Part number

Material

Mod.

Dat.

Name

Sub.

Mouser Electronics

Authorized Distributor

Click to View Pricing, Inventory, Delivery & Lifecycle Information:

[HARTING:](#)

[09670250411](#) [09670250413](#)